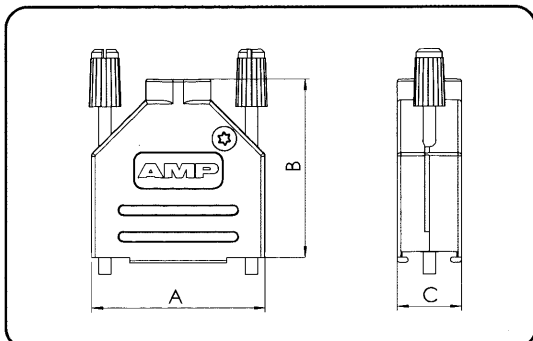


ADK Series

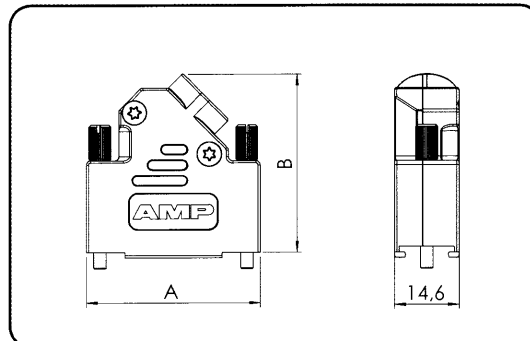
DIE-CAST BACKSHELLS FOR D-SUBMINIATURE CONNECTORS

Straight Entry



Description	A	B	C	Tyco Part No.
9 Way	31.0	38.3	14.6	0-1478762-9
15 Way	39.5	40.5	14.6	1-1478762-5
25 Way	53.2	47.3	14.6	2-1478762-5
37 Way	70.9	52.2	15.0	3-1478762-7

45° Entry

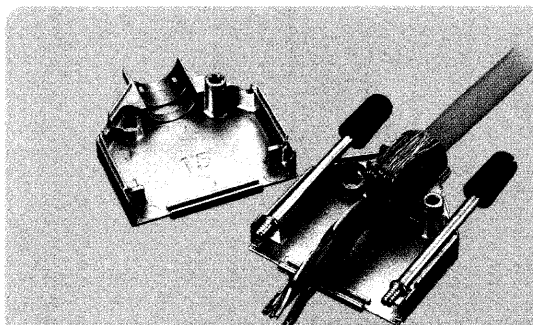


Description	A	B	Tyco Part No.
9 Way	31.0	36.2	0-1478763-9
15 Way	39.5	40.2	1-1478763-5
25 Way	53.2	40.2	2-1478763-5
37 Way	69.7	40.2	3-1478763-7

Technical Specifications

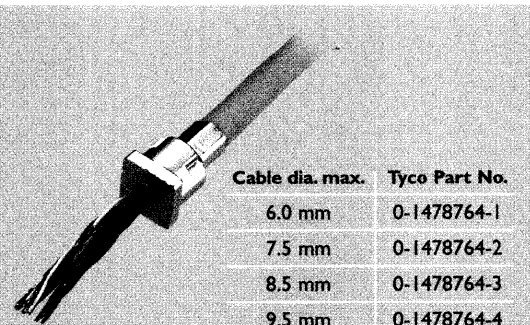
Material and finish	Zinc die-cast, nickel plated
Standard cable strain relief	Steel fibre reinforced Polycarbonate UL94V-0
Temperature range	-40°C - 120°C
Cable diameter	4.0 - 13.0 mm
Attenuation factor	> 40 dB between 30 MHz and 1 GHz
Meets requirements of	VDE 0871, FCC 20780, 89/336/EU

Standard Kit Contents



ADK backshells come as a complete kit comprising shells, jack screws, and four sizes of cable grommets. Supplied in bulk packaging of 100 pcs for greater efficiency in production.

Optional Cable Crimp Kit



Cable dia. max.	Tyco Part No.
6.0 mm	0-1478764-1
7.5 mm	0-1478764-2
8.5 mm	0-1478764-3
9.5 mm	0-1478764-4

Available as an upgrade to the standard product is a high performance cable crimp kit offering a full crimped termination to the cable braid for greater screening integrity and improved cable strain relief. Suitable tooling available on enquiry.

Ordering information shown is based on standard density D-subminiature connectors.
Technical data subject to change. All dimensions in millimetres

www.tycoelectronics.com

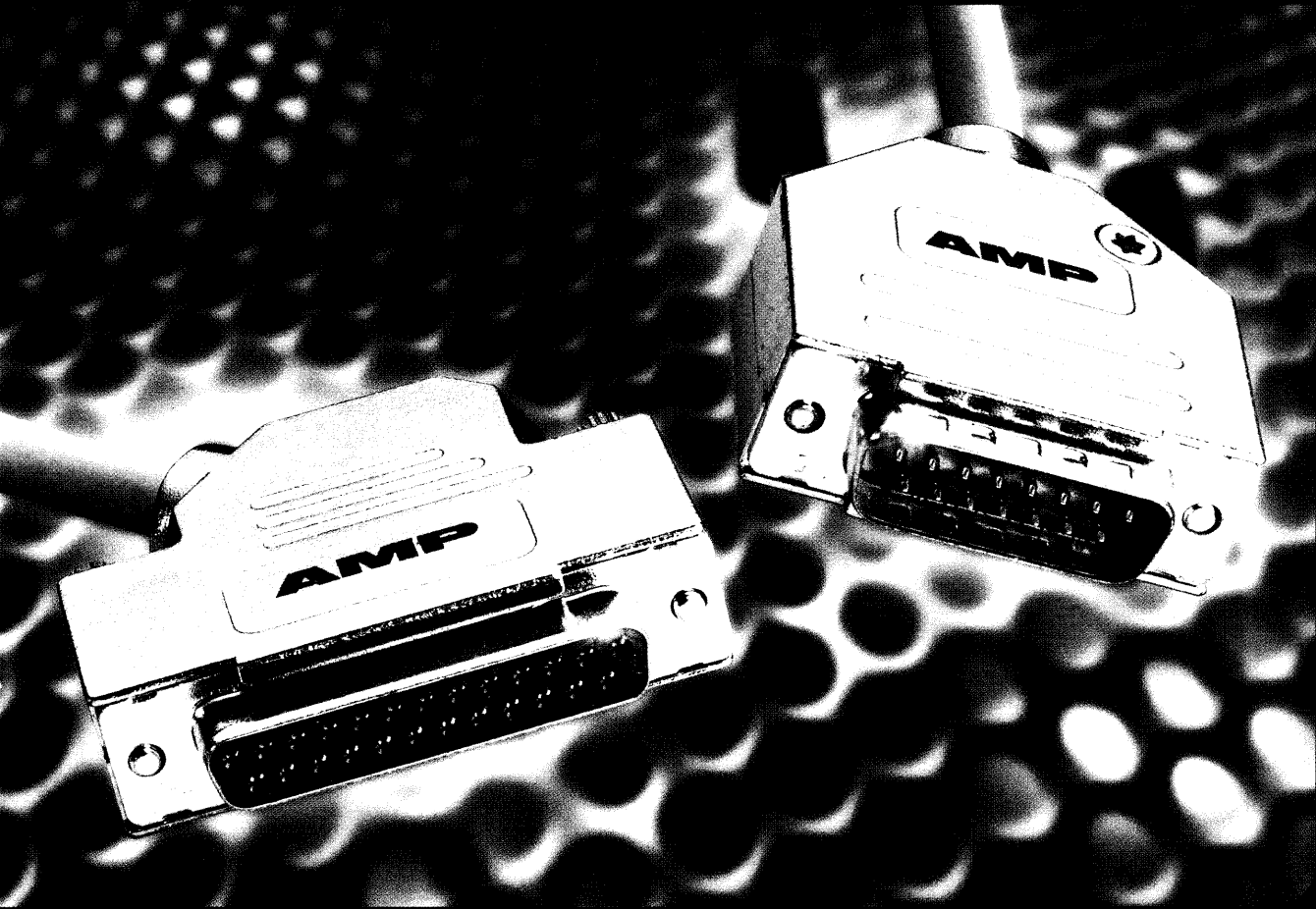
Tyco Electronics, Merrion Avenue, Stanmore, Middlesex HA7 4RS. UK.

Tel: +44 (0) 8706 080208. Fax: +44 (0) 20 8954 6234

Revise June 2002 - No. 1654041

**DIE-CAST
BACKSHELLS
FOR
D-SUBMINIATURE
CONNECTORS**

ADK Series



New from Tyco Electronics, the ADK Series of die-cast backshells are available in four shell sizes to suit 9 to 37 position D-subminiature connectors. Suitable for high integrity data links in applications such as computer peripherals, industrial equipment, medical, and instrumentation, they combine a modern attractive design with the performance and durability of die-cast construction.

Features:

- Straight or 45° cable entry
- Rugged compact design
- Excellent EMI/RFI shielding
- Suitable for a range of cable sizes
- Lightweight and cost effective
- Unique metal filled cable grommet guarantees 360° shielding

tyco
Electronics

www.tycoelectronics.com