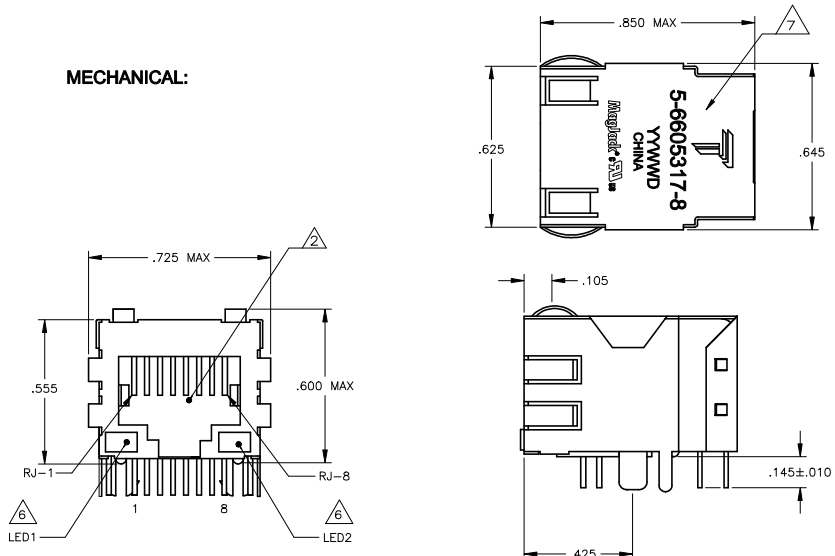


THIS DRAWING AND THE SUBJECT MATTER SHOWN THEREON ARE CONFIDENTIAL AND THE PROPERTY OF BEL/STEWART/TRP CONNECTOR AND SHALL NOT BE REPRODUCED, COPIED, OR USED IN ANY MANNER WITHOUT THE WRITTEN CONSENT OF TRP CONNECTOR.

PRODUCT MAY BE PROTECTED BY ONE OR MORE OF THE FOLLOWING US PATENTS:  
 5736910 5939955 6425781 6428361 6554638 6840817 7123117  
 7429195 7717749 7808751 6217391 6149050 7924130

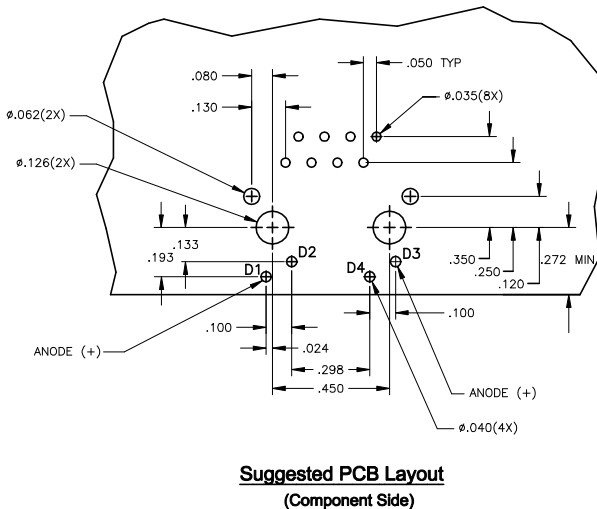
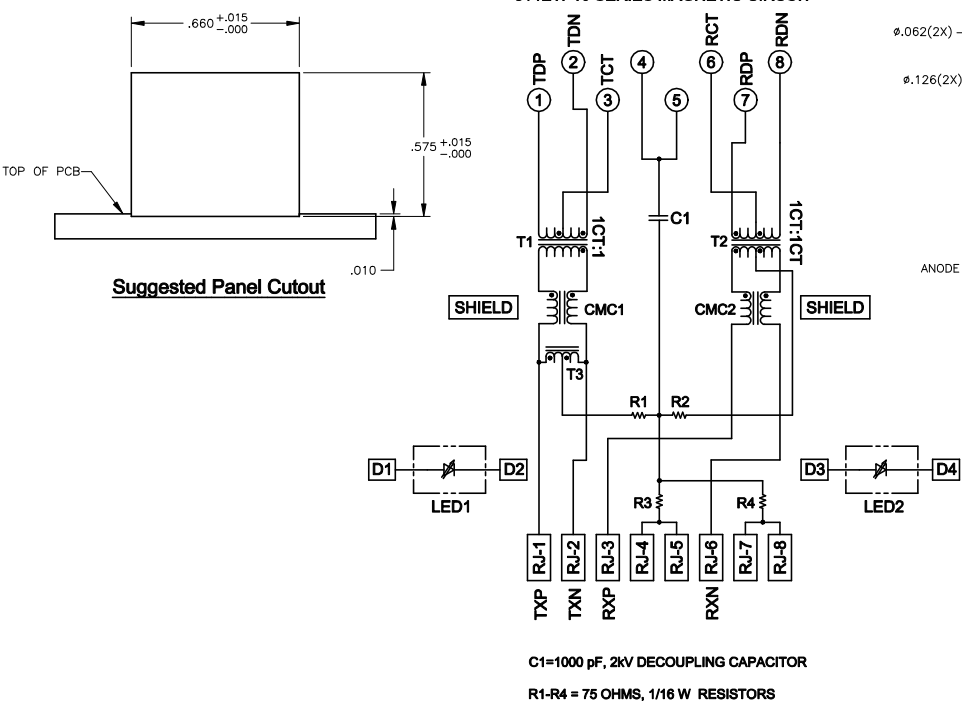
REVISIONS				
REV	DATE	DESCRIPTION	BY	APP
E	EC-1411035	COMPANY LOGO CHANGE	23DEC2014	ST LT

**MECHANICAL:**



**Pin Designations**

**ELECTRICAL:**  
**314ETP10 SERIES MAGNETIC CIRCUIT**



**Suggested PCB Layout  
 (Component Side)**

- MATERIALS:  
 HOUSING - THERMOPLASTIC PET POLYESTER FLAMMABILITY RATING UL 94V-0. SHIELD - .010" THICK, C26800 BRASS PREPLATED WITH 30µMCH SEMI-BRIGHT NICKEL. SOLDER TABS POST DIPPED WITH 100µMCH MIN SAC SOLDER. MOD JACK CONTACTS - 0.0157 X 0.018" PHOSPHOR BRONZE, 50µMCH MIN OVERALL NICKEL UNDERPLATE, WITH SELECT 50µMCH MIN HARD GOLD FINISH PLATE SOLDER TAILS WITH 100µMCH MIN MATTE TIN AND/OR SAC SOLDER DIP. LIGHT EMITTING DIODE(LED) - DIFFUSED EPOXY LENS, .020" x .020" CARBON STEEL WIREFRAME LEADS PRE-PLATED WITH 80µMCH SILVER OVER 40µMCH NICKEL UNDERPLATE OVER 40µMCH COPPER UNDERPLATE. POST-PLATED WITH 100µMCH MIN MATTE TIN AND/OR SAC SOLDER DIP OR PURE TIN SOLDER DIP.
- RJ45 JACK CAVITY CONFORMS TO FCC RULES AND REGULATIONS PART 68, SUB PART F.
  - MAGNETICS
    - IMPEDANCE: 100 OHMS
    - TURNS RATIO (CHIP-CABLE): TX = 11, RX = 11
    - OPEN CIRCUIT INDUCTANCE (OCL): 350µH MIN @100kHz, 0.1VRMS, 8mADC BIAS FROM -40°C TO +85°C, TX AND RX
    - PERFORMANCE @ 25°C:
      - INSERTION LOSS (IL): 1.1dB MAX FROM 0.5MHz TO 100MHz
      - RETURN LOSS (RL): 18dB MIN FROM 0.5MHz TO 30MHz
      - 18-20LOG(f/30)dB MIN FROM 30.1MHz TO 60MHz
      - 12dB MIN FROM 60.1MHz TO 80MHz
    - CROSSTALK ATTENUATION: 35dB MIN FROM 0.5MHz TO 4.0MHz
    - 33-20\*LOG(f/50)dB MIN FROM 4.01MHz TO 100MHz
    - COMMON MODE REJECTION RATIO (CMRR): 30dB MIN FROM 0.5MHz TO 100MHz
    - ISOLATION VOLTAGE: 2250VDC (MAX) FOR 60 SECONDS WITH A RISE TIME OF 500V/SEC.
  - OPERATING TEMPERATURE: FROM -40° TO +85°C INDUSTRIAL TEMPERATURE RATED.
  - INDICATED CONNECTIONS ARE FOR NIC CONFIGURATION. THE MAGNETICS ARE ASYMMETRIC, AND ARE NOT AUTO-MDI/MDIX CAPABLE.
  - LEDS WITHOUT BUILT-IN RESISTOR
    - LEDS ARE DRIVEN WITH CONSTANT CURRENT AT APPROX 20 mA
    - LED COLOR:
      - DOMINANT WAVELENGTH (λD): GREEN 568 nm TYP @ IF=20 mA
      - FORWARD VOLTAGE (VF): GREEN 2.2V TYP @ IF=20 mA
      - DOMINANT WAVELENGTH (λD): YELLOW 588 nm TYP @ IF=20 mA
      - FORWARD VOLTAGE (VF): YELLOW 2.1V TYP @ IF=20 mA
      - DOMINANT WAVELENGTH (λD): ORANGE 605 nm TYP @ IF=20 mA
      - FORWARD VOLTAGE (VF): ORANGE 2.1V TYP @ IF=20 mA
  - TRP CONNECTOR LOGO, PART NUMBER, DATE CODE, COUNTRY OF ORIGIN AND AGENCY APPROVAL MARKING IN APPROXIMATE LOCATION SHOWN.
  - THE PART IS RECOMMENDED FOR WAVE SOLDERING PROCESS. PREHEAT TEMPERATURE IS 120°C TO 160°C, 120 SECONDS TO 180 SECONDS, PEAK WAVE SOLDERING TEMPERATURE IS 260°C MAX, 10 SECONDS MAX.

GREEN	YELLOW	5-6605317-8
LED1	LED2	PART NUMBER

THIS DRAWING IS A CONTROLLED DOCUMENT.		DESIGNED BY: G.ATTADA - DDCS		CHECKED BY: [Signature]	
DRAWN BY: [Signature]		DATE: 11/10/14		SCALE: NTS	
DIMENSIONS: INCHES		MAGJACK		SHEET 1 OF 1	
PRODUCT SPEC: 108-2100		CUSTOMER DRAWING		REV: E	