

Data sheet Product MK 01 10 G

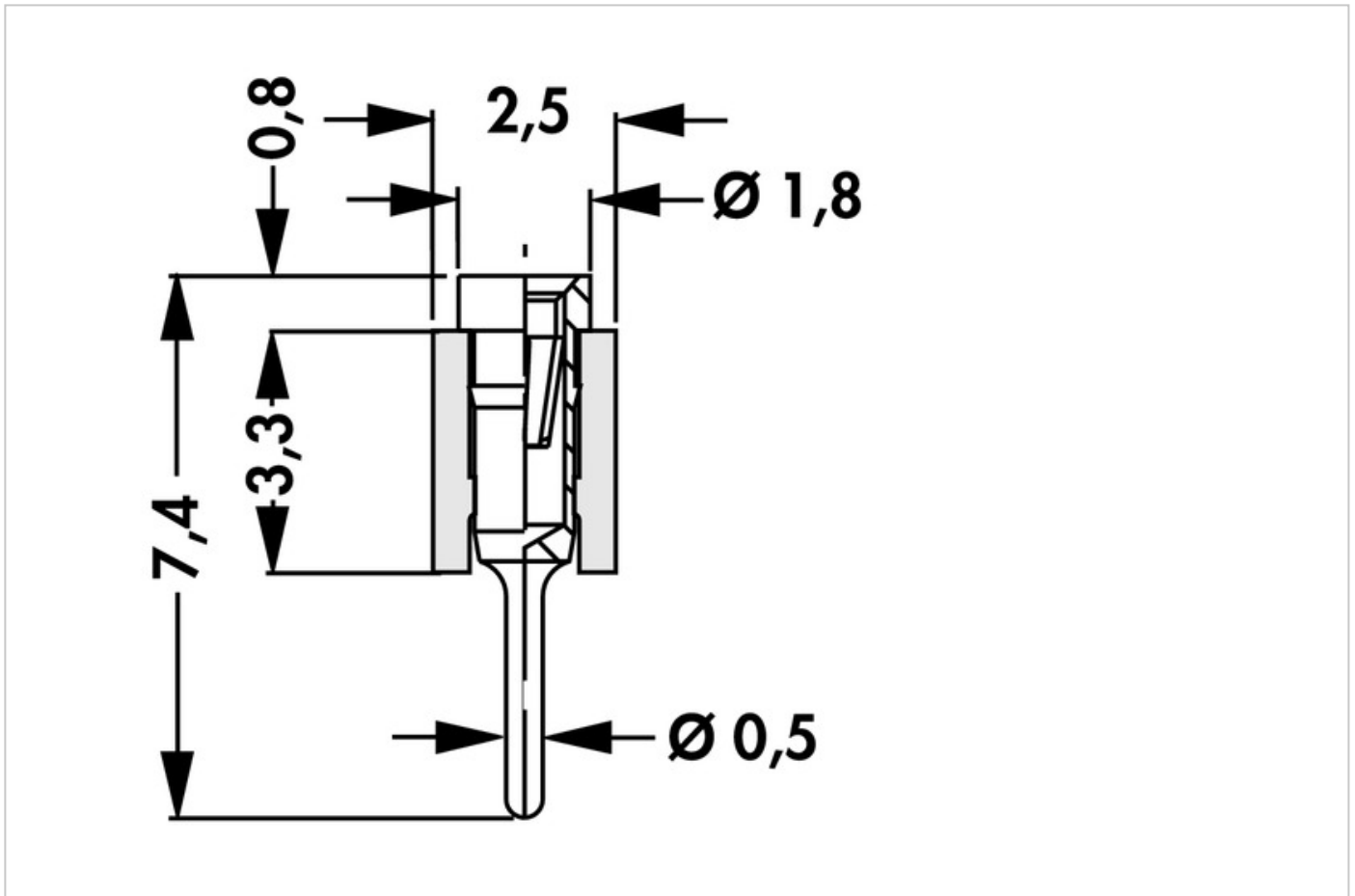


PCB connectors>Female headers
for Multi-Layer, contact spring: gold-plated, one row, for Ø 0.5 mm

Features

grid:	2.54 mm
no. of contacts:	10
contact material:	CuZn-alloy
surface contact / contact sleeve:	Ni+4...6µm Sn
surface of contact:	gold-plated
inner contact spring material:	CuBe-alloy
inner contact spring surface:	Ni+0,25µm Au
type internal spring:	4-fingers
plugability for circuit points:	<ul style="list-style-type: none"> • □0,22x0,25mm... □0,4x0,55mm • Ø0,4...0,56mm
insert depth:	2.5...3.6mm
insertion / drawing force:	1.8 N/1.4 N
shock resistance:	50 g
volume resistance:	≤10 mΩ
vibration resistance max.:	15 g
capacity between two adjacent contacts:	≤0,4 pF
nominal current:	1.5 A
nominal voltage:	60 V DC
test voltage:	1000 V
insulating body material:	PA 4.6. GF
temperature range:	<ul style="list-style-type: none"> • -40°C... +163°C • (260°C/10 s)
class of inflammability:	UL 94 V-0
version:	for multi-layer
specific insulation resistance:	>10⁷ Ω·m
connection type:	THT (soldering)
reflow solderable:	yes

Technical Drawing



Fischer Elektronik GmbH & Co. KG
DEUTSCHLAND • GERMANY • ALLEMAGNE

Nottebohmstraße 28
58511 Lüdenscheid

Telefon +49 2351 435-0
Telefax +49 2351 45754

info@fischerelektronik.de
www.fischerelektronik.de