

# PA1590MI4G-101-17

## Engineering Specification

### 1. Typical Electrical Properties

Characteristics	Specification	Unit	Conditions
Patch Center Frequency	1593 ± 3	MHz	On 70x70 mm Ground Plane
Bandwidth	40.6 min.	MHz	S11 ≤ -10dB
Gain at Zenith	4.5 typ.	dBic	Center Frequency
S11	< -10	dB	By Test Ground Plane
Polarization	RHCP		
Frequency Temperature Coefficient	0±20	ppm/°C	-40°C to +85°C

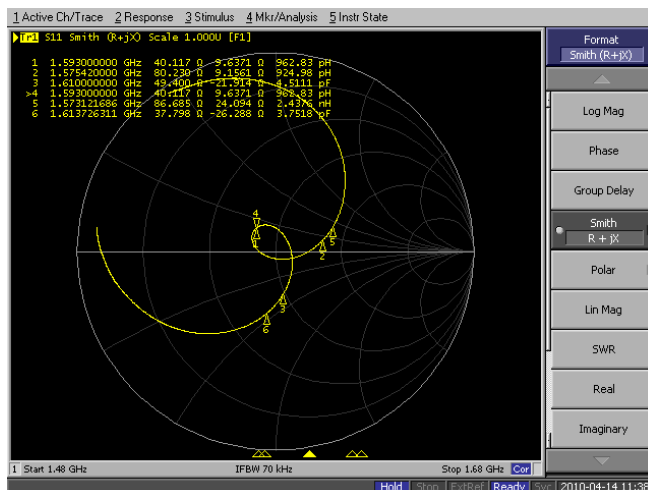
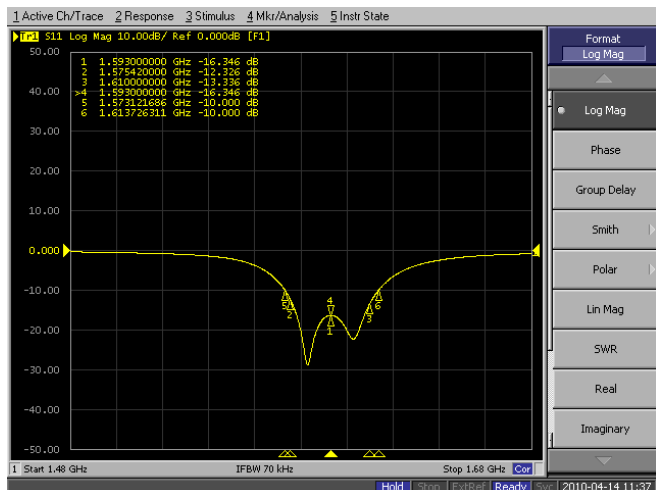
Frequency (MHz)	S <sub>11</sub> (dB)	Gain 0°XZ-plane (dBic)	RH Upper Hemi. efficiency (%)
1575.42	-12.32	2.64	43.88
1593	-16.34	4.87	59.74
1610	-13.33	3.17	42.2

PA1590MI4G-101-17 , G : Green parts (RoHS compliance)

-101 are the code of project number, -17 show of appendix

### 2. Patch Antenna Performance and Characteristic Data on 70x70 mm Ground

#### 2.1 Smith Chart/Return Loss



UNLESS OTHER SPECIFIED TOLERANCES ON :

X=±      X.X=±      X.XX=±

ANGLES=±      HOLEDIA=±

SCALE :

UNIT : mm

DRAWN BY:洪禎婉

CHECKED BY:曾源標

DESIGNED BY:鄭大福

APPROVED BY:張啓隆

TITLE : PA1590MI4G-101-17  
Engineering Specification



INPAQ TECHNOLOGY CO., LTD.

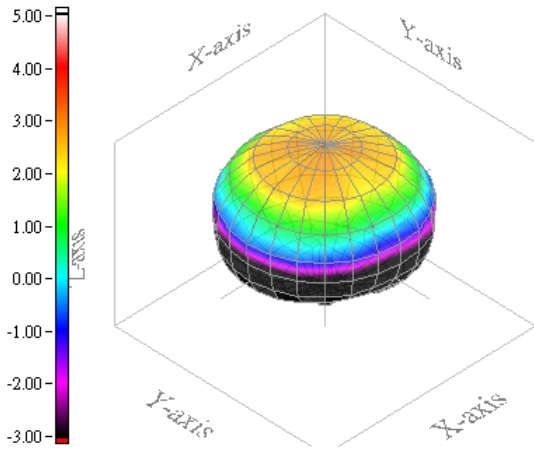
THIS DRAWINGS AND SPECIFICATIONS ARE THE PROPERTY OF INPAQ TECHNOLOGY CO.,LTD.AND SHALL NOT BE REPRODUCED OR USED AS THE BASIS FOR THE MANUFACTURE OR SALE OF APPARATUS OR DEVICES WITHOUT PERMISSION

DOCUMENT NO.

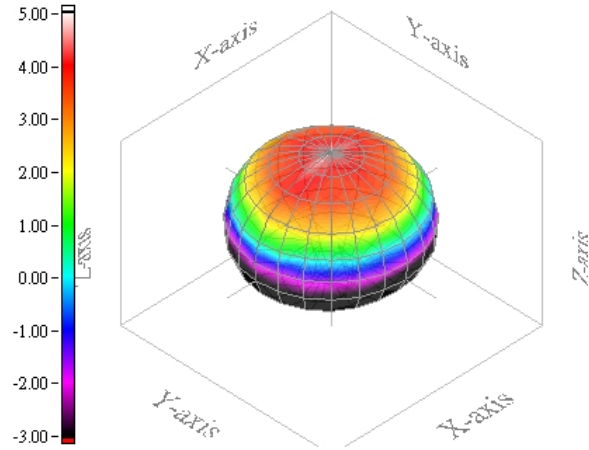
ENS000031170

SPEC REV.  
P1

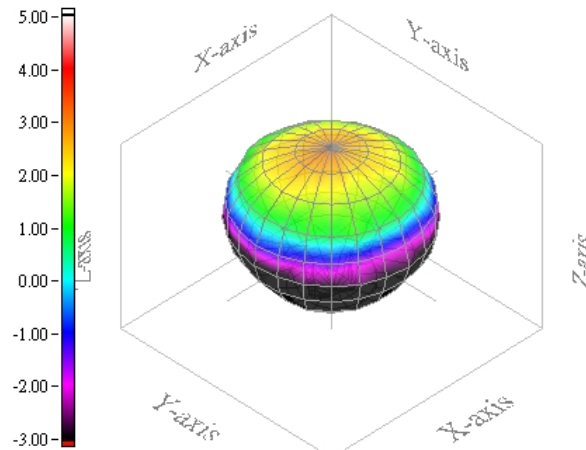
2.2 Gain Pattern (Unit : dBic)



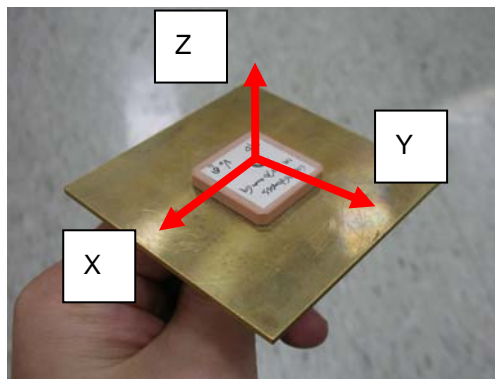
1575.42 MHz



1593 MHz



1610 MHz



UNLESS OTHER SPECIFIED TOLERANCES ON :	
X=±	X.X=±
ANGLES=±	X.XX=±
	HOLEDIA=±
SCALE :	UNIT : mm
DRAWN BY:洪禎婉	CHECKED BY:曾源標
DESIGNED BY:鄭大福	APPROVED BY:張啓隆
TITLE : PA1590MI4G-101-17 Engineering Specification	



INPAQ TECHNOLOGY CO., LTD.

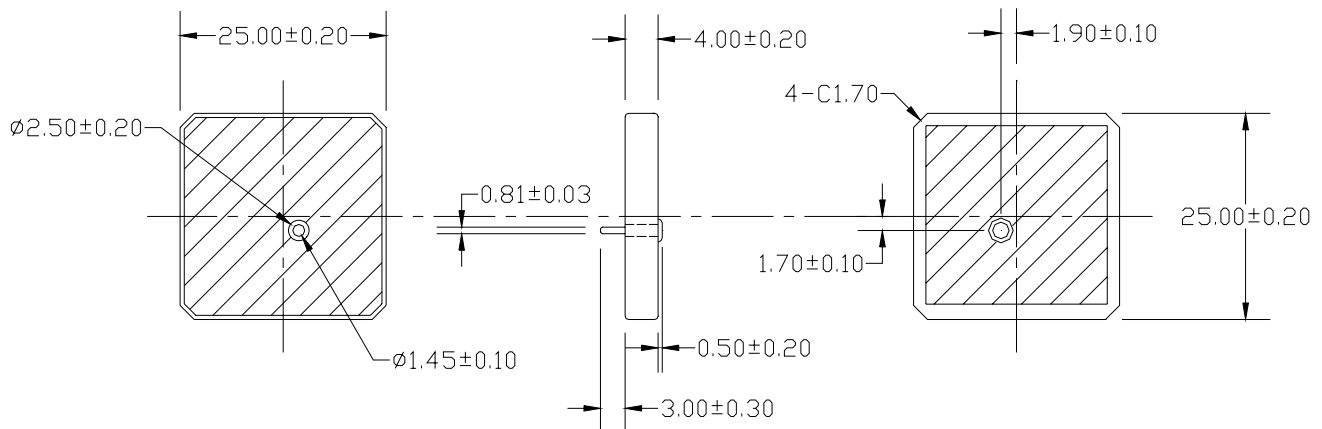
THIS DRAWINGS AND SPECIFICATIONS ARE THE PROPERTY OF INPAQ TECHNOLOGY CO.,LTD.AND SHALL NOT BE REPRODUCED OR USED AS THE BASIS FOR THE MANUFACTURE OR SALE OF APPARATUS OR DEVICES WITHOUT PERMISSION

DOCUMENT NO.	ENS000031170	SPEC REV.
		P1

2.3 Antenna Direction



3. Dimension



Unit : mm

UNLESS OTHER SPECIFIED TOLERANCES ON :	
X=±	X.X=±      X.XX=±
ANGLES=±	HOLEDIA=±
SCALE :	UNIT : mm
DRAWN BY:洪禎婉	CHECKED BY:曾源標
DESIGNED BY:鄭大福	APPROVED BY:張啓隆
TITLE : PA1590MI4G-101-17 Engineering Specification	



INPAQ TECHNOLOGY CO., LTD.

THIS DRAWINGS AND SPECIFICATIONS ARE THE PROPERTY OF INPAQ TECHNOLOGY CO.,LTD.AND SHALL NOT BE REPRODUCED OR USED AS THE BASIS FOR THE MANUFACTURE OR SALE OF APPARATUS OR DEVICES WITHOUT PERMISSION

DOCUMENT NO.	ENS000031170	SPEC REV.
		P1

