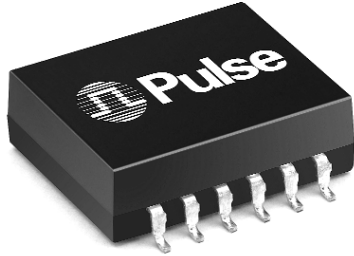


10/100BASE-TX SINGLE PORT TRANSFORMER MODULES

With Various Transmit Turns Ratios



- Compact symmetrical size facilitates chip shooter placement and reduces manufacturing time
- IEEE 802.3 and ANSI X3.263 compliant including 350 μ H OCL with 8 mA bias
- IC grade transfer-molded package withstands temperatures over 235°C
- Patented interlock base construction for high reliability

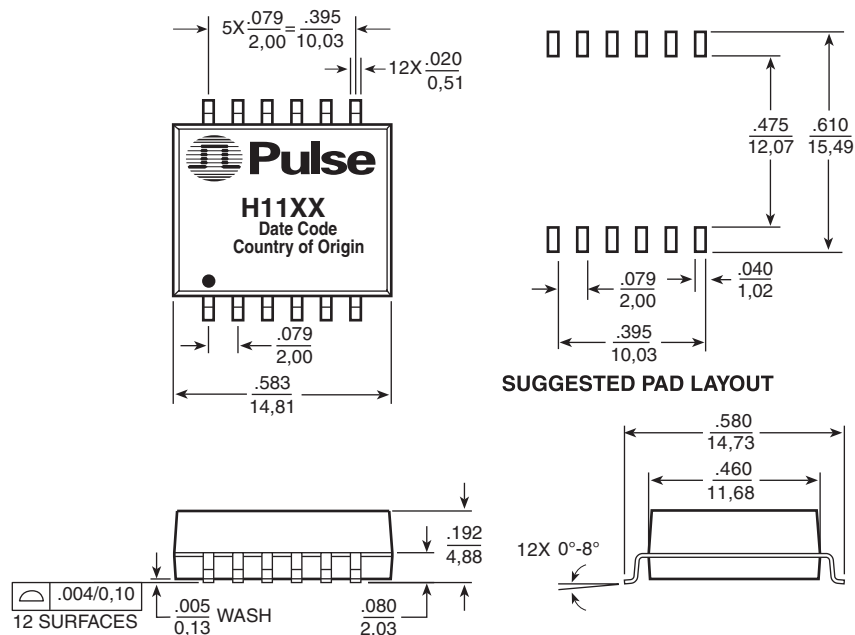
Electrical Specifications @ 25°C — Operating Temperature 0°C to 70°C

Part Number	Transmit Turns Ratio	Auto Transformer	Insertion Loss 100 kHz-100 MHz (dB MAX)	Return Loss Transmit (dB MIN)				Differential to Common Mode Rejection (dB TYP)				Crosstalk (dB MIN)				Hipot (Vrms MIN)
				1-30 MHz	40 MHz	50 MHz	60-80 MHz	30 MHz	60 MHz	100 MHz	200 MHz	1 MHz	30 MHz	60 MHz	100 MHz	
H1112	1CT:1CT	YES	1.2	-16	-14	-13	-12	-59	-49	-42	-37	-60	-40	-40	-35	1500
H1113	1CT:1CT	NO	1.2	-16	-14	-13	-12	-55	-45	-38	-33	-60	-40	-40	-35	1500
H1126	1CT:1.414CT	YES	1.2	-16	-14	-13	-12	-59	-49	-42	-37	-60	-40	-40	-35	1500

U.S. Patent No. 5,015,981

Mechanical

H1112, H1113, H1126



Dimensions: $\frac{\text{Inches}}{\text{mm}}$

Unless otherwise specified, all tolerances are $\pm \frac{.010}{0.25}$

Weight1.7 grams
Tape & Reel350/reel
Tube30/tube

10/100BASE-TX SINGLE PORT TRANSFORMER MODULES

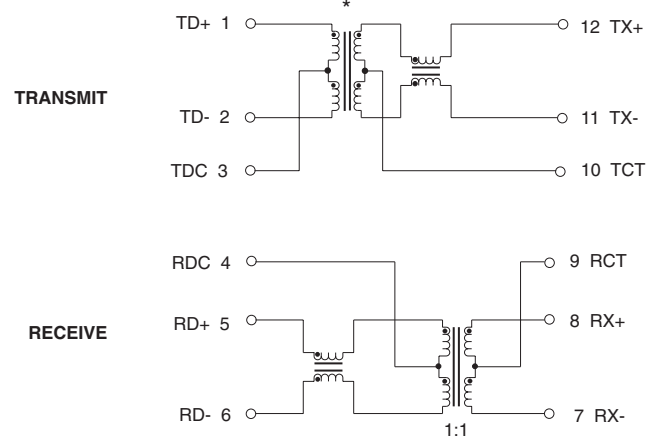
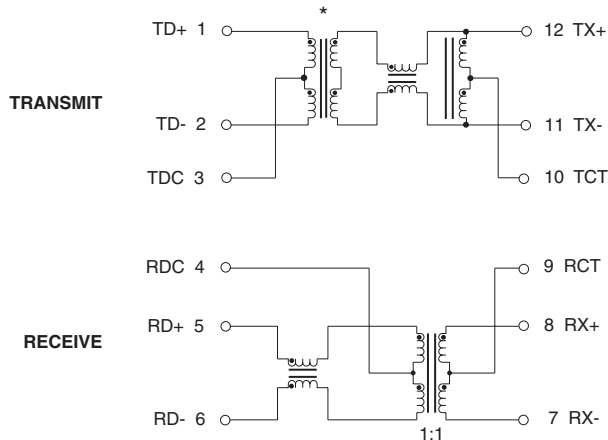
With Various Transmit Turns Ratios



Schematics

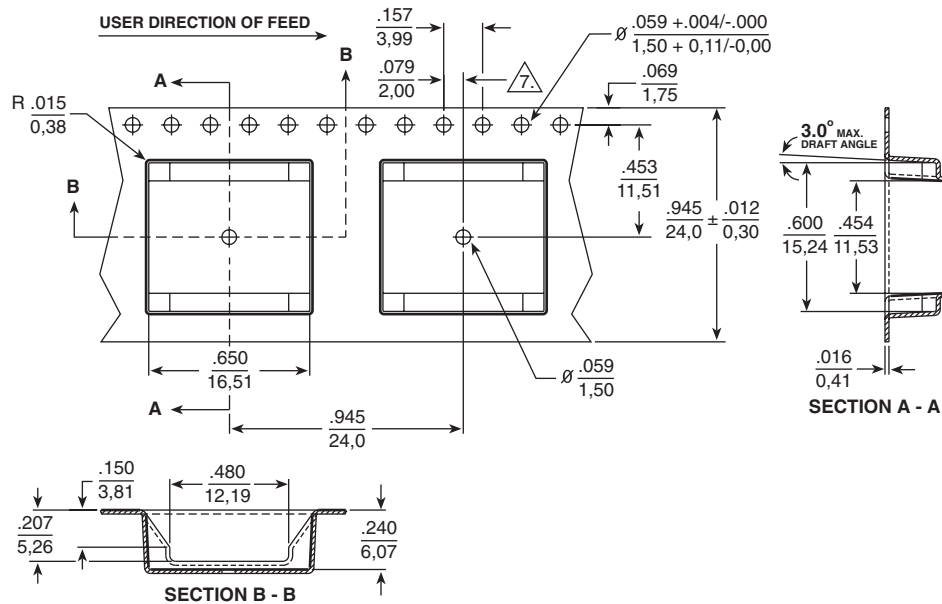
H1112, H1126

H1113



* Reference Electrical Specifications chart for turns ratio.

Tape and Reel Specifications



Modules are packaged in tubes unless Tape and Reel specified. Please add the suffix "T" such as H1112T for Tape and Reel orders.

For More Information :

UNITED STATES (Worldwide)	UNITED KINGDOM (Northern Europe)	FRANCE (Southern Europe)	SINGAPORE (Southern Asia)	TAIWAN, R.O.C. (Northern Asia)	HONG KONG (China/Hong Kong)	DISTRIBUTOR
12220 World Trade Drive San Diego, CA 92128 U.S.A. http://www.pulseeng.com TEL: 858 674 8100 FAX: 858 674 8262	1 & 2 Huxley Road The Surrey Research Park Guildford, Surrey GU2 5RE United Kingdom TEL: 44 1483 401700 FAX: 44 1483 401701	Zone Industrielle F-39270 Orgelet France TEL: 33 3 84 35 04 04 FAX: 33 3 84 25 46 41	150 Kampong Ampat #07-01/02 KA Centre Singapore 368324 TEL: 65 6287 8998 FAX: 65 6280 0080	3F-4, No. 81, Sec. 1 HsinTai Wu Road Hsi-Chih, Taipei Hsien Taiwan, R.O.C. Tel: 886 2 2698 0228 FAX: 886 2 2698 0948	9/F, Phase 2, Tai Sang Shatin Warehouse Centre 6 Wong Chuk Yeung Street Fotan Shatin, Hong Kong TEL: 852 2788 6588 FAX: 852 2776 1055	

Performance warranty of products offered on this data sheet is limited to the parameters specified. Data is subject to change without notice. Other brand and product names mentioned herein may be trademarks or registered trademarks of their respective owners.

♻️ Printed on recycled paper. ©Copyright, 2003. Pulse Engineering, Inc. All rights reserved.