



# Wireless Charging

Rx (Receiving) Modules

# WRM483245 Series

---

**WRM483245-15F5-5V-G1**

**WRM483245-15F5-5V-G2**

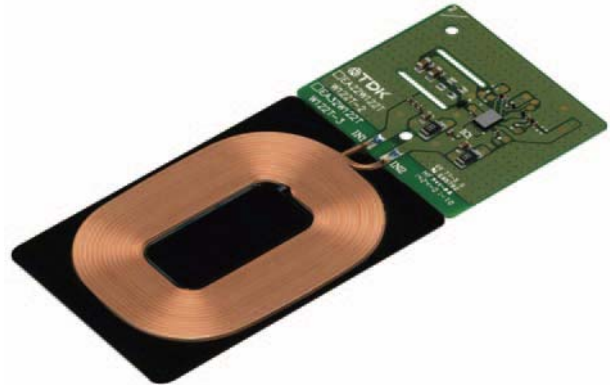
---

# Wireless Charging Rx (Receiving) Modules

## Overview of WRM483245

### FEATURES

- This is Rx turnkey solution including receiving coil with attractor and modul for wireless charging
- To achieve 5V x 1A output and operating fully WPC Compliant
- Pre cracked ferrite is available for durable construction
- Flexible sheet type is available
- Very thinner total module product. Max thickness is 1.0mm (G2)



### Contact Windows For More Information

Country	Person in charge	Web
US	Chris Burket	chris.burket@us.tdk.com
EU	Andre Carranque	Carranque@eu.tdk.com
Japan	Takeshi Ishibashi	tishiba@jp.tdk.com
TTW	ChienHung Lin	ChienHung_Lin@tw.tdk.com
China	ChienHung Lin	ChienHung_Lin@tw.tdk.com
Korea	Youngsoo m Kim	youngsoo_kim@kr.tdk.com
ASEAN	ChienHung Lin	ChienHung_Lin@tw.tdk.com

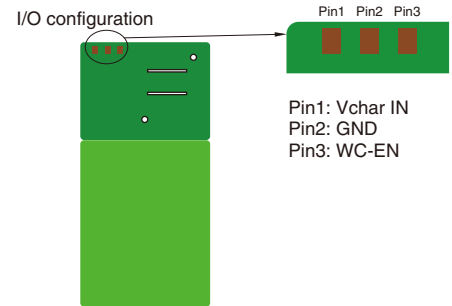
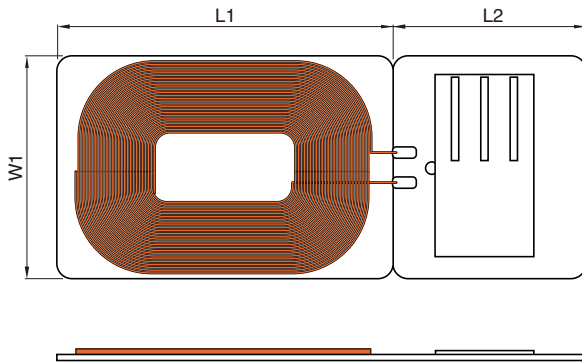
○ Halogen-free: Indicates that Cl content is less than 900ppm, Br content is less than 900ppm, and that the total Cl and Br content is less than 1500ppm.

• All specifications are subject to change without notice.

# WRM483245-15F5-5V-G1

## SHAPE & DIMENSIONS

(1.8mm max. thickness module)



W, L1, L2 dimensions (mm)	Efficiency (%)Ref.	Thickness (mm)*	Part No.
W1: 32 L1: 48 L2: 28	72	1.00mm max. (Coil) 1.80mm max. (Module)	WRM483245-15F5-5V-G1

\* Contact us for more information.

## ELECTRICAL CHARACTERISTICS

### CHARACTERISTICS SPECIFICATION TABLE

#### Rx coil unit

Inductance (μH) [100kHz, 1Vrms]	DC resistance (Ω)max. [25°C]
13	0.27

#### Rx modules

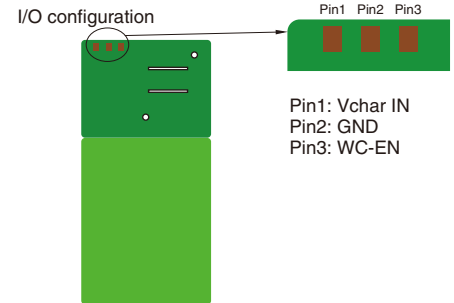
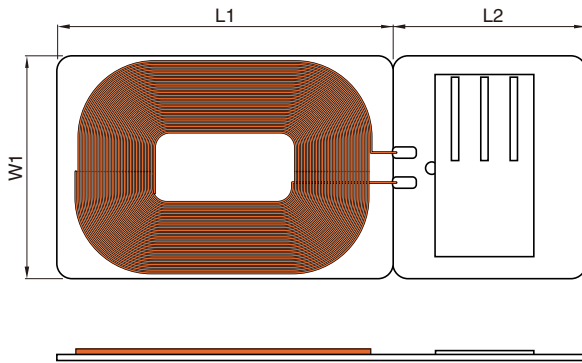
Output voltage (V)	Output current (A)	Efficiency* (%)ref.	IC Information
4.95 to 5.05	0.3 to 1.0	72	TC7763WBG (Toshiba IC)

\* Contact us for more information.

# WRM483245-15F5-5V-G2

## SHAPE & DIMENSIONS

(1.0mm max. thickness module)



W, L1, L2 dimensions (mm)	Efficiency (%)Ref.	Thickness (mm)*	Part No.
W1: 32 L1: 48 L2: 28	72	1.00mm max. (Coil) 1.00mm max. (Module)	WRM483245-15F5-5V-G2

\* Contact us for more information.

## ELECTRICAL CHARACTERISTICS

### CHARACTERISTICS SPECIFICATION TABLE

#### Rx coil unit

Inductance (μH) [100kHz, 1Vrms]	DC resistance (Ω)max. [25°C]
13	0.27

#### Rx module

Output voltage (V)	Output current (A)	Efficiency* (%)ref.	IC Information
4.95 to 5.05	0.3 to 1.0	72	TC7763WBG (Toshiba IC)

\* Contact us for more information.


**REMINDERS**

- Do not use or store in locations where there are conditions such as gas corrosion (salt, acid, alkali, etc.).
- Before soldering, be sure to preheat components.  
The preheating temperature should be set so that the temperature difference between the solder temperature and product temperature does not exceed 150°C.
- Soldering corrections after mounting should be within the range of the conditions determined in the specifications.  
If overheated, a short circuit, performance deterioration, or lifespan shortening may occur.
- Self heating (temperature increase) occurs when the power is turned ON, so the tolerance should be sufficient for the set thermal design.
- Do not use for a purpose outside of the contents regulated in the delivery specifications.
- The products listed on this catalog are intended for use in general electronic equipment (AV equipment, telecommunications equipment, home appliances, amusement equipment, computer equipment, personal equipment, office equipment, measurement equipment, industrial robots) under a normal operation and use condition.  
The products are not designed or warranted to meet the requirements of the applications listed below, whose performance and/or quality require a more stringent level of safety or reliability, or whose failure, malfunction or trouble could cause serious damage to society, person or property.  
If you intend to use the products in the applications listed below or if you have special requirements exceeding the range or conditions set forth in the each catalog, please contact us.

- |   |  |
|---|--|
| (1) Aerospace/Aviation equipment                            | (8) Public information-processing equipment                                  |
| (2) Transportation equipment (electric trains, ships, etc.) | (9) Military equipment   |
| (3) Medical equipment                                       | (10) Electric heating apparatus, burning equipment                           |
| (4) Power-generation control equipment                      | (11) Disaster prevention/crime prevention equipment                          |
| (5) Atomic energy-related equipment                         | (12) Safety equipment  |
| (6) Seabed equipment  | (13) Other applications that are not considered general-purpose applications |
| (7) Transportation control equipment                        |  |