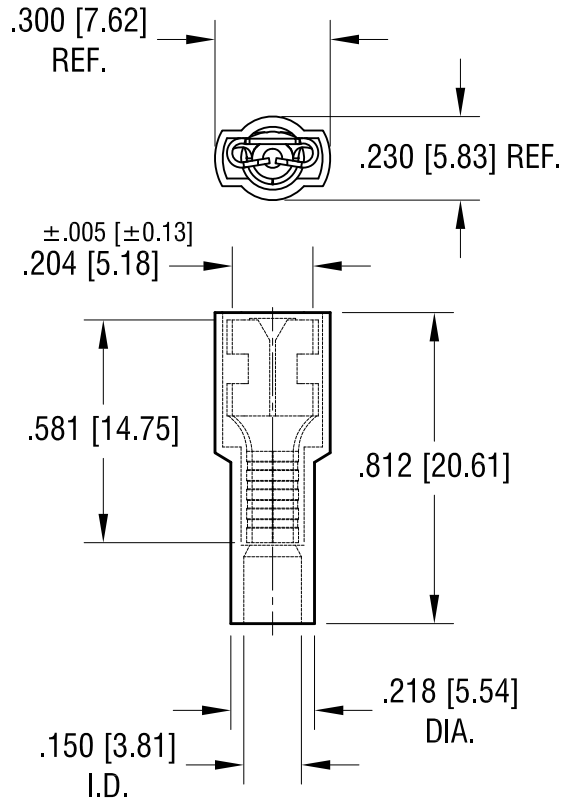
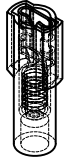


THIS DOCUMENT IS THE PROPERTY OF
KEYSTONE ELECTRONICS CORP. AND
SHALL NOT BE REPRODUCED, DISTRIBUTED
OR USED AS A BASIS FOR MANUFACTURE
WITHOUT PRIOR WRITTEN PERMISSION
FROM KEYSTONE ELECTRONICS CORP.

ACTUAL SIZE



NOTE:

1. TERMINAL: MATES WITH MALE TAB
.187 [4.75] x .020 [0.50] TH'K
MATERIAL: COPPER, TIN PLATE
INSULATOR: NYLON 6/6, RED
2. ACCOMMODATES WIRE RANGE 22/18 AWG

KEYSTONE ELECTRONICS CORP.

www.keyelco.com • ASTORIA, N.Y. 11105-2017 • Tel (718) 956-8900

PART NAME

FULLY INSULATED QUICK-FIT TERMINAL

MATERIAL

AS NOTED

FINISH

AS NOTED

DRN BY

NT

DATE

9.10.08

APP'D

LN

SCALE

2X

12.29.14 CHANGE AS PER ECN 14-129

A

TOLERANCES

INCH [MM]

DECIMAL $\pm .015$ [± 0.38]

CODE

DWG NO.

ANGULAR $\pm 1^\circ$

UNLESS OTHERWISE SPECIFIED

C

8291

DATE

DESCRIPTION

REV.