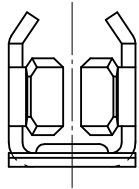
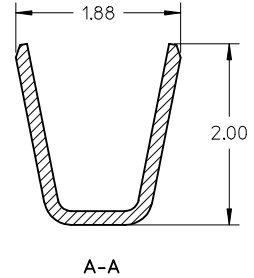
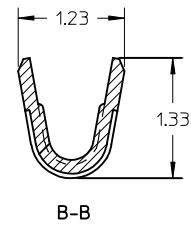
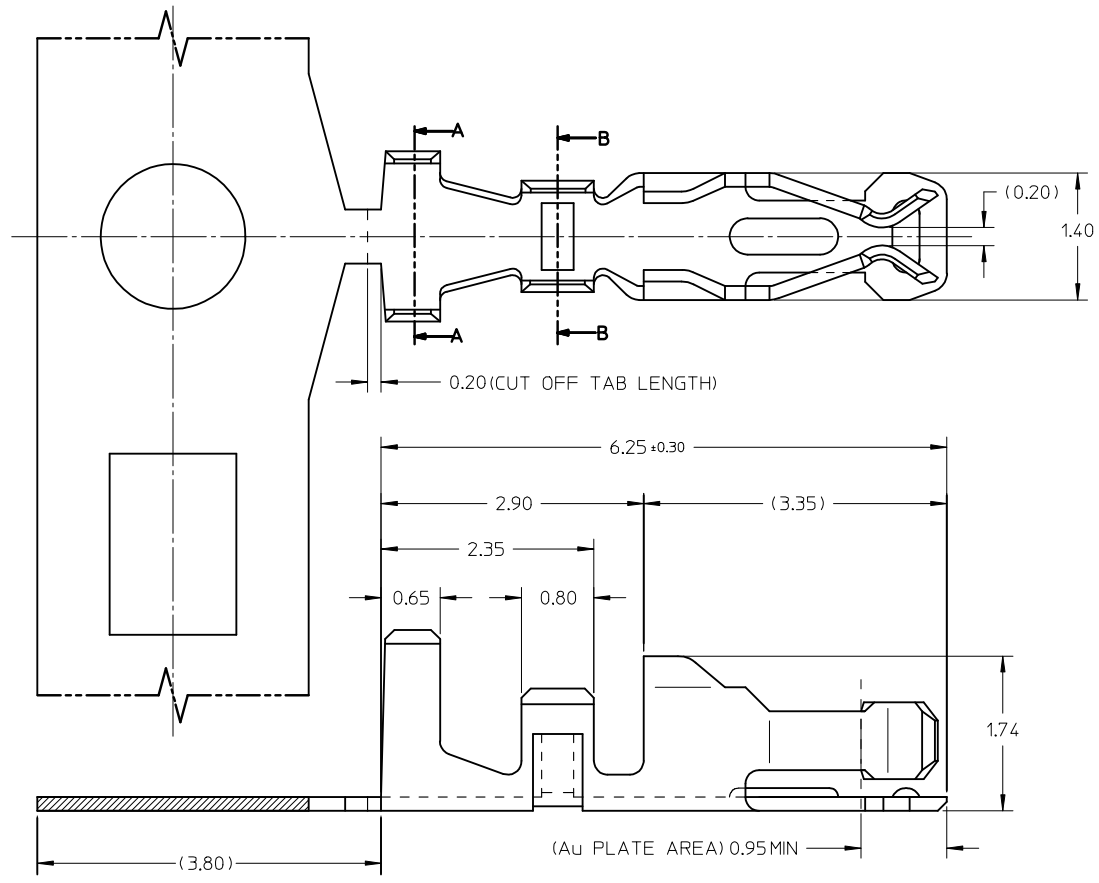


NOTES.
 1. APPLICABLE HOUSING : 51110-***1
 : 51110-***5

GOLD FLASH 0.05-0.125 μ M	50394-8400	50394-8054
0.38 Pd/Ni w/ GOLD FLASH	50394-8300	50394-8053
0.76	50394-8200	50394-8052
0.38	50394-8100	50394-8051
Au. PLATE THICK. (μ m MIN.)	FORM:LOOSE	FORM:CHAIN
ENG.No.		

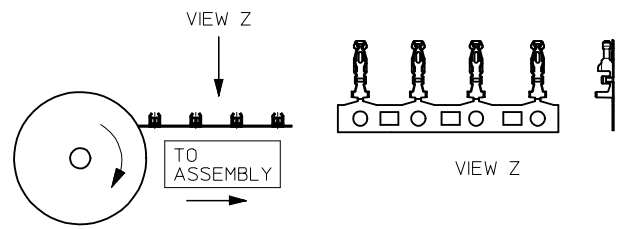
B	VOID PART NO. PER ECN S2004-0719	---	ANG LING	040223	MATERIAL : PHOSPHOR BRONZE (THK=0.152)	MOLEX SINGAPORE PTE LTD SHEET 1 OF 1
A2	ADD GOLD FLASH AS PER ECN*S2003-0030	---	NASH LING	02/07/12		
A1	ADD 0.38 Pd/Ni WITH GOLD FLASH AS PER PDR*98-01- 0267 (ECN*S1998-0364)	---	SEE LING	980312	FINISH : SEE NOTES	GENERAL TOLERANCES ± 0.20/.008
A	REL AS PER ECN*	S40519	SO EDP	940420		DRAWN BY S.O. 940420
LTR	REVISION RECORD	ECN	DR CHK	DATE	APPR'D BY ROY 940428	SCALE 15:1
REVISE ONLY ON CAD SYSTEM					TITLE : 2.0mm GRID W TO B CONN. CRIMP TERMINAL	

ENG. NO.		Au. PLATE THICKNESS (µm MIN.)
FORM: LOOSE	FORM: CHAIN	
50394-8100	50394-8051	0.38
50394-8200	50394-8052	0.76
50394-8400	50394-8054	GOLD FLASH 0.05-0.125µm



NOTES :
1. APPLICABLE HOUSING : 51110-***1
: 51110-**5*

WINDING DIRECTION



ADD WINDING DIRECTION EC NO: S2014-0327 DRW: N/SEE CHK: D/FANNY WONG APPR: LBLEE	2013/09/30	2013/09/30	2013/11/13
	REV	B1	
	DESCRIPTION		
	QUALITY SYMBOLS	▽ F = 0	▽ F = 0

GENERAL TOLERANCES (UNLESS SPECIFIED)	mm	INCH
	4 PLACES ± ---	± ---
3 PLACES ± ---	± ---	± ---
2 PLACES ± 0.20	± ---	± ---
1 PLACE ± ---	± ---	± ---
0 PLACE ± ---	± ---	± ---
ANGULAR ± 3 °		
DRAFT WHERE APPLICABLE MUST REMAIN WITHIN DIMENSIONS		

DIMENSION STYLE MM ONLY		SCALE NTS	DESIGN UNITS METRIC	THIRD ANGLE PROJECTION
DRAWN BY S.Q	DATE 1994/04/20	TITLE	SALES DRAWING 2.0MM GRID W TO B CONN. CRIMP TERMINAL	
CHECKED BY EDPOH	DATE 1994/04/27	APPROVED BY BBYEE	DATE 2013/04/28	
MATERIAL NO.	SEE TABLE	DOCUMENT NO.	SD-50394-8XXX	SHEET NO. 1 OF 1

THIS DRAWING CONTAINS INFORMATION THAT IS PROPRIETARY TO MOLEX
INCORPORATED AND SHOULD NOT BE USED WITHOUT WRITTEN PERMISSION

Mouser Electronics

Authorized Distributor

Click to View Pricing, Inventory, Delivery & Lifecycle Information:

[Molex:](#)

[50394-8100](#) [50394-8052](#) [50394-8051](#) [50394-8400](#) [50394-8051 \(Cut Strip\)](#) [50394-8052 \(Cut Strip\)](#) [50394-8051 \(Mouser Reel\)](#) [50394-8052 \(Mouser Reel\)](#)