



Product Specification

Liquid Crystal Display  
I-SFT 100i.10X-XT



## Industrial Solutions Flatpanel Technology

### TFT COLOR LCD MODULE

Model	<b>I-SFT 100i.10X-XT</b>
Type No.	H070
Revision	Rev. 1.0
Type	10.4" 1024 x 768
Order-No.	131200000004
Specification	
Version	Internal Revision 1.2
Date	20.12.2011
Preliminary	<input checked="" type="checkbox"/>
Final	<input type="checkbox"/>

<b>According to customer-Specification</b>	
<b>Prosoft Ltd.</b>	
108 Profsoyuznaya ulitsa 117437 Moscow / Russia	
Approved	



Product Specification

Liquid Crystal Display  
I-SFT 100i.10X-XT



Revision	Date	Description
1.0	Q1/08	First Draft

## Specification

Revision	Date	Description
1.0	26.05.2008	First Draft
1.1	06.03.2009	Operating and storage temperature are twisted
1.2	20.12.2011	Custom specific adaption



<b>1</b>	<b>DESCRIPTION.....</b>	<b>4</b>
<b>2</b>	<b>FEATURES.....</b>	<b>4</b>
<b>3</b>	<b>APPLICATIONS.....</b>	<b>4</b>
<b>4</b>	<b>STRUCTURE AND FUNCTIONS.....</b>	<b>5</b>
<b>5</b>	<b>OUTLINE OF CHARACTERISTICS.....</b>	<b>6</b>
<b>6</b>	<b>BLOCK DIAGRAMM .....</b>	<b>7</b>
<b>7</b>	<b>SPECIFICATIONS .....</b>	<b>8</b>
	7-1 GENERAL SPECIFICATIONS.....	8
	7-2 ABSOLUTE MAXIMUM RATINGS.....	8
	7-3 ELECTRICAL CHARACTERISTICS .....	9
	7-4 INTERFACE PIN CONNECTION.....	11
	7-5 DISPLAY COLORS vs. INPUT DATA SIGNALS.....	13
	7-6 INPUT SIGNAL TIMING .....	14
	7-7 LVDS Rx interface timing parameter .....	15
	7-8 PIXEL CO-ORDINATES .....	16
	7-9 OPTICAL CHARACTERISTICS .....	16
	7-10 OUTLINE DIMENSIONS .....	19
<b>8.</b>	<b>RELIABILITY TESTS.....</b>	<b>20</b>
	8.1 ENVIRONMENTAL TESTS .....	20
	8.2 EMI/EMC TESTS .....	21
<b>9.</b>	<b>GENERAL PRECAUTIONS.....</b>	<b>22</b>
	9.1 MOUNTING.....	22
	9.2 HANDLING.....	22
	9.3 STORAGE.....	23
	9.4 OPERATION.....	23
	9.5 OTHERS.....	23



## 1 DESCRIPTION

**I-SFT 100i.10X-XT** is a custom specific development based module and is not available on the open market.

**I-SFT 100i.10X-XT** is a custom specific development based module and is not available on the open market.

**I-SFT 100i.10X-XT** is a TFT (thin film transistor) active matrix color liquid crystal display (LCD) comprising of an amorphous silicon TFT attached to each signal electrode with circuit drivers.

**I-SFT 100i.10X-XT** is an **i-sft** GmbH in-house product consisting of:

- a. **i-sft** specific third party manufactured LCD-Glass-Matrix (NOT available in retail).
- b. **i-sft** customized backlight emitting a display surface brightness typ. 1000 nits.
- c. **i-sft** custom made integrated e<sup>3</sup> driver to control the backlight.

The 10.4 inch diagonal display area contains 1024×768 pixels and can display 256k colors.

## 2 FEATURES

10.4" XGA High-bright  
open frame  
Low power consumption  
Long life e3-technology system  
BLU - Color temperature 9000K  
High contrast ratio, high aperture structure  
Ultra-wide temperature range  
High shock and vibration  
Interlocking connector  
Integrated e<sup>3</sup> driver for driving backlight  
LVDS interface

## 3 APPLICATIONS

Industrial application



## 4 STRUCTURE AND FUNCTIONS

A TFT color LCD module comprises of a TFT LCD panel, LSIs for driving liquid crystal. The TFT LCD panel is composed of a TFT array glass substrate superimposed on a color filter glass substrate with liquid crystal filled in the narrow gap between two substrates.

RGB (Red, Green, Blue) data signals are sent to LCD panel drivers after modulation into suitable forms for active matrix addressing through a signal processor.

Each of the liquid crystal cells acts as an electro-optical switch that controls the incident light transmission by a signal applied to a signal electrode through the TFT switch.

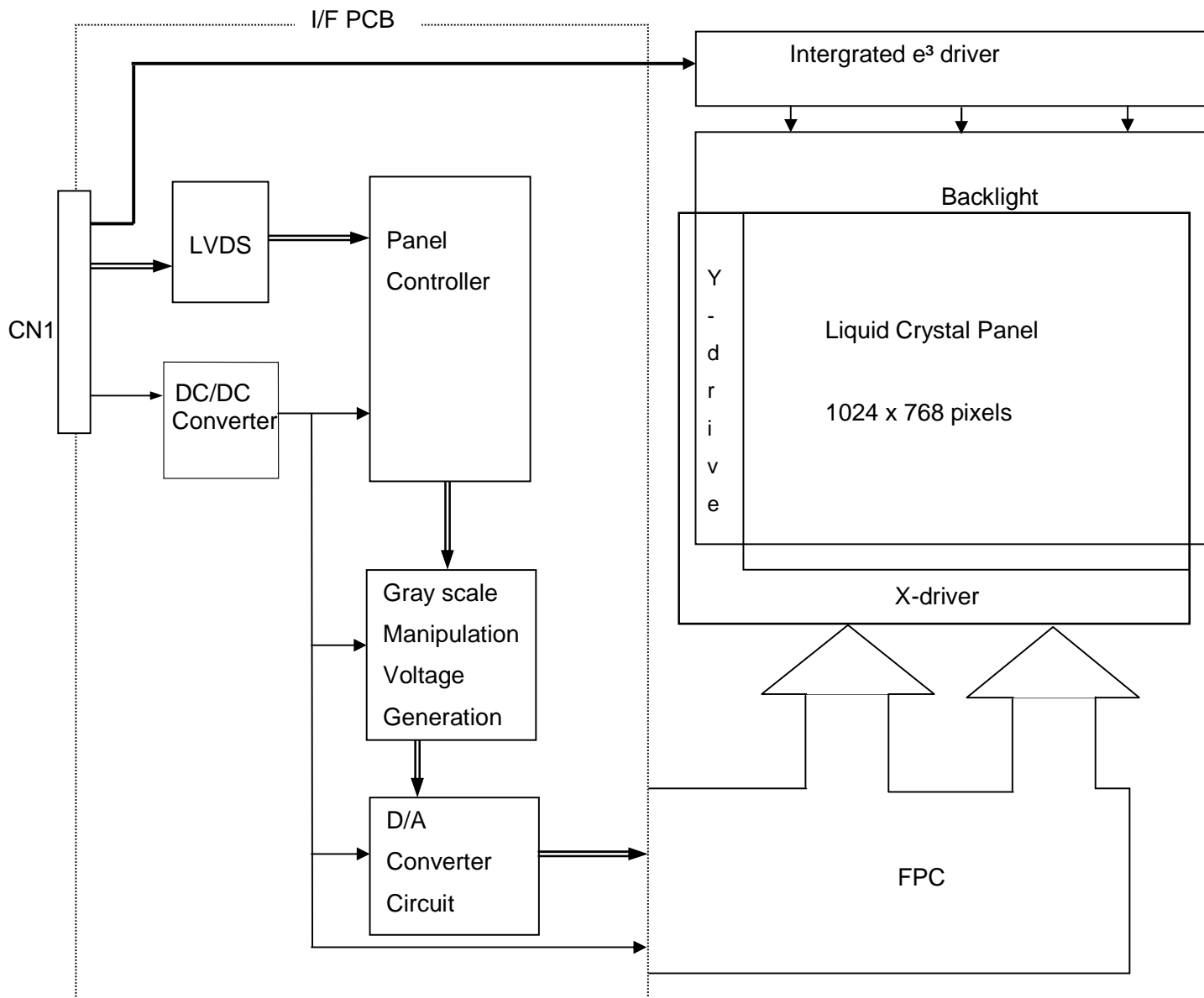


## 5 OUTLINE OF CHARACTERISTICS

ITEM	SPECIFICATION	UNIT	NOTE
Active display area	210.432 (H) x 157.824 (V) (10.4 inch diagonal)	mm	
Driver element	a – Si TFT active matrix		
Display colours	256k		
Number of pixels	1024 x 768	pixel	
Luminance (typ.)	1000	cd/m <sup>2</sup>	
Dimming ratio	1 : 1000		
Pixel arrangement	RGB vertical stripe		
Pixel pitch	0.2055 (H) x 0.2055 (W)	mm	
Display mode	Normally Black		
Surface treatment	Haze 25, Anti-glare & hard-coating (3H)		



## 6 BLOCK DIAGRAMM





## 7 SPECIFICATIONS

### 7-1 GENERAL SPECIFICATIONS

ITEM		TYP.	UNIT
Module size	Horizontal (H)	251.5	mm
	Vertical (V)	177.6	mm
	Depth (D)	23.55	mm
Weight		1300	g

### 7-2 ABSOLUTE MAXIMUM RATINGS

ITEM	SYMBOL	MIN.	MAX.	UNIT	NOTE
Storage temperature	$T_{stg}$	-46	85	°C	(1)
Operating temperature (Surface of glass)	$T_{op}$	-31	85	°C	(1)
Shock (operating)	$S_{op}$	-	50	g	(2)
Vibration (operating)	$V_{op}$	-	3.5	g	(3)

#### Note

- (1) measured at center of display area (front side); as compromised, D-IC and Polarizer are excluded within the range of guarantee for operating temperature; D-IC: -10 to +75°C (Source) / -20 to 75°C (Gate); no condensation
- (2) 11 ms.
- (3) Random vibration according to MIL-STD810F Methode514.4



**7-3 ELECTRICAL CHARACTERISTICS**

## (1) Logic, LCD driving

Ta = 25°C

Parameter	Symbol	Min.	Typ.	Max.	Unit	Remarks
Supply voltage	V <sub>DD</sub>	3.0	3.3	3.6	V	-
Supply current	I <sub>DD</sub>	-	210	-	mA	Note 1
Permissible Input Ripple voltage	V <sub>RF</sub>	-	-	100	mV	V <sub>DD</sub> = 3.3V
Logic input "L" voltage	V <sub>IL</sub>	-100	-	-	mV	V <sub>cm</sub> = 1.2V typ
Logic input "H" voltage	V <sub>IH</sub>	-	-	+100	mV	

Note 1: The supply voltage is measured and specified at the interface connector of LCM.

The current draw and power consumption specified is for V<sub>DD</sub> = 3.3V, Frame rate = 60Hz and Clock frequency = 65MHz.

Test Pattern of power supply current

- Typ: Vertical color bar pattern
- Max: Gray 228 @ vertical 2 skip line pattern

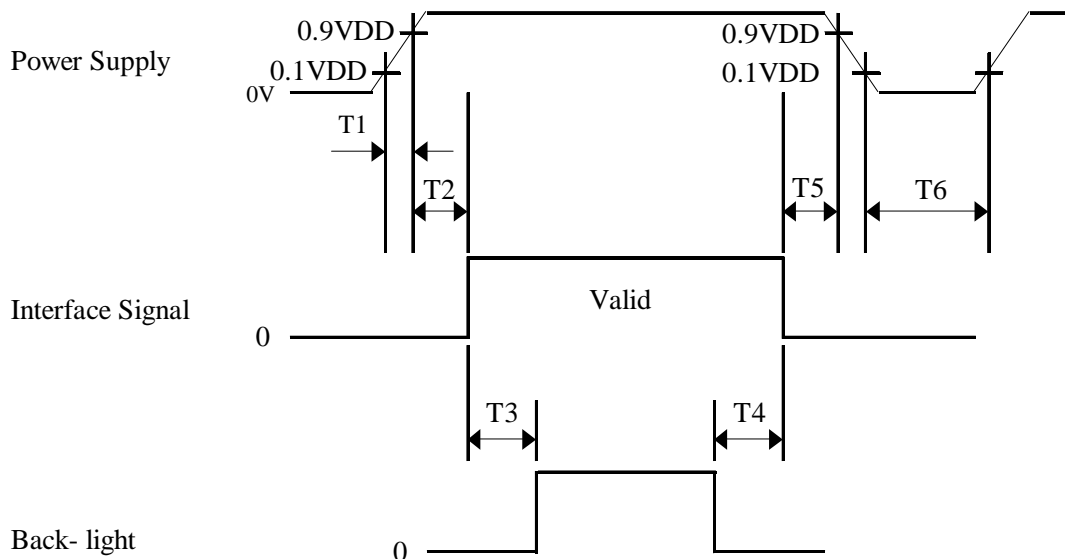
(2) Backlight, e<sup>3</sup> driver driving

Ta = 25°C

Parameter	Symbol	Min.	Typ.	Max.	Unit	Remarks
Supply voltage	V <sub>inv</sub>	10.8	12	13.2	V	
Power consumption	P <sub>inv</sub>	-	< 20	-	W	V <sub>inv</sub> = 12V



## SUPPLY VOLTAGE SEQUENCE



- $0 < T1 \leq 10 \text{ ms}$
- $0 < T2 \leq 50 \text{ ms}$
- $100 \text{ ms} \leq T3, T4$
- $0 < T5 \leq 50 \text{ ms}$
- $1 \text{ s} < T6$

### Notes:

1. When the power supply VDD is 0V, keep the level of input signals on the low or keep high impedance.
2. Do not keep the interface signal high impedance when power is on.
3. Backlight must be turned on after power for logic and interface signal are valid.







**7-5 DISPLAY COLORS vs. INPUT DATA SIGNALS**

Display colors		Data signal(0: Low level, 1: High level)																	
		R5	R4	R3	R2	R1	R0	G5	G4	G3	G2	G1	G0	B5	B4	B3	B2	B1	B0
Basic colors	Black	0	0	0	0	0	0	0	0	0	0	0	0	0	0	0	0	0	0
	Blue	0	0	0	0	0	0	0	0	0	0	0	0	1	1	1	1	1	1
	Red	1	1	1	1	1	1	0	0	0	0	0	0	0	0	0	0	0	0
	Magenta	1	1	1	1	1	1	0	0	0	0	0	0	1	1	1	1	1	1
	Green	0	0	0	0	0	0	1	1	1	1	1	1	0	0	0	0	0	0
	Cyan	0	0	0	0	0	0	1	1	1	1	1	1	1	1	1	1	1	1
	Yellow	1	1	1	1	1	1	1	1	1	1	1	1	0	0	0	0	0	0
	White	1	1	1	1	1	1	1	1	1	1	1	1	1	1	1	1	1	1
Red grayscale	Black	0	0	0	0	0	0	0	0	0	0	0	0	0	0	0	0	0	0
	dark	0	0	0	0	0	1	0	0	0	0	0	0	0	0	0	0	0	0
	↑																		
	↓																		
	bright	1	1	1	1	0	1	0	0	0	0	0	0	0	0	0	0	0	0
Green grayscale	Black	0	0	0	0	0	0	0	0	0	0	0	0	0	0	0	0	0	0
	dark	0	0	0	0	0	0	0	0	0	0	0	1	0	0	0	0	0	0
	↑																		
	↓																		
	bright	0	0	0	0	0	0	1	1	1	1	0	1	0	0	0	0	0	0
Blue grayscale	Black	0	0	0	0	0	0	0	0	0	0	0	0	0	0	0	0	0	0
	dark	0	0	0	0	0	0	0	0	0	0	0	0	0	0	0	0	0	1
	↑																		
	↓																		
	bright	0	0	0	0	0	0	0	0	0	0	0	0	1	1	1	1	0	1
Blue grayscale	Black	0	0	0	0	0	0	0	0	0	0	0	0	0	0	0	0	0	0
	dark	0	0	0	0	0	0	0	0	0	0	0	0	0	0	0	0	0	1
	↑																		
	↓																		
	Blue	0	0	0	0	0	0	0	0	0	0	0	0	1	1	1	1	1	1

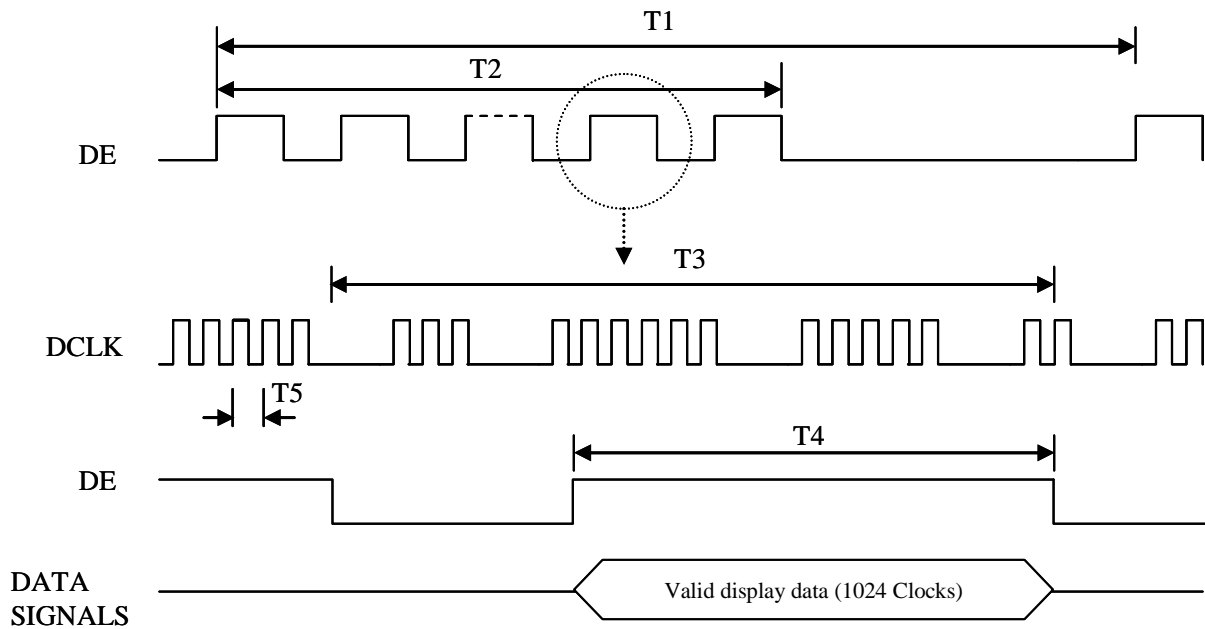
note: colors are developed in combination with 6 bit signals (64 steps in grayscale) of each primary red, green, and blue color.  
This process can result in up to 262,144 (64×64×64) colors.



**7-6 INPUT SIGNAL TIMING**

Item	Symbol	MIN	TYP	MAX	Unit	Note
Frame Period	T1	772	806	1022	lines	
Vertical Display Term	T2	768	768	768	lines	
One Line Scanning Time	T3	1100	1344	2046	clocks	
Horizontal Display Term	T4	1024	1024	1024	clocks	
Clock Period	1/T5	-	65	80	MHz	

Note: The I-SFT 100i.10X-XT is operated by the only DE (data enable) mode (LVDS Transmitter Input)

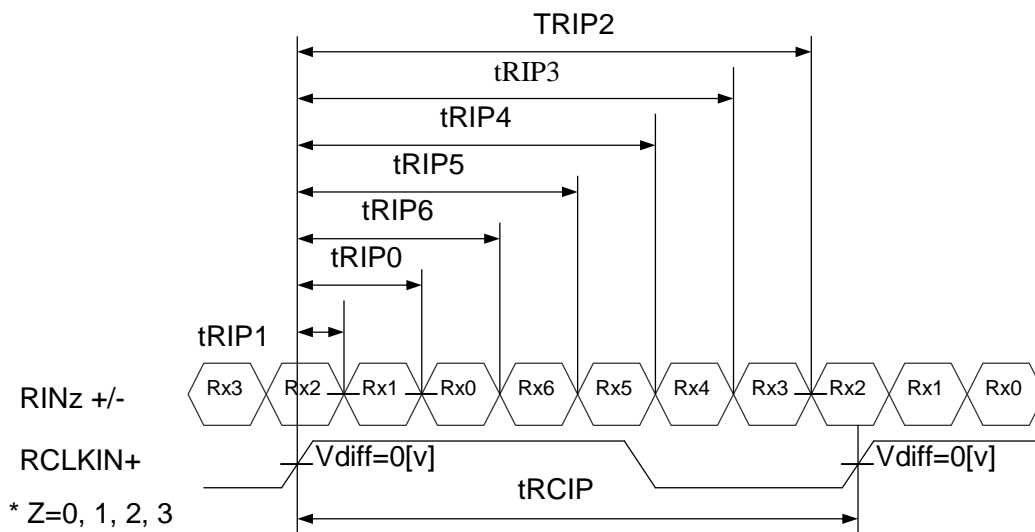




### 7-7 LVDS Rx interface timing parameter

specification of the LVDS Rx interface timing parameter  
<LVDS Rx Interface Timing Specification>

Item	Symbol	Min	Typ	Max	Unit	Remark
CLKIN Period	tRCIP	12.5	15.38	-	nsec	
Input Data 0	tRIP1	-0.4	0.0	+0.4	nsec	
Input Data 1	tRIP0	1*tRIP/7 -0.4	1*tRIP/7	1*tRIP/7 +0.4	nsec	
Input Data 2	tRIP6	2*tRIP/7 -0.4	2*tRIP/7	2*tRIP/7 +0.4	nsec	
Input Data 3	tRIP5	3*tRIP/7 -0.4	3*tRIP/7	3*tRIP/7 +0.4	nsec	
Input Data 4	tRIP4	4*tRIP/7 -0.4	4*tRIP/7	4*tRIP/7 +0.4	nsec	
Input Data 5	tRIP3	5*tRIP/7 -0.4	5*tRIP/7	5*tRIP/7 +0.4	nsec	
Input Data 6	tRIP2	6*tRIP/7 -0.4	6*tRIP/7	6*tRIP/7 +0.4	nsec	



\*  $V_{diff} = (RINz+) - (RINz-), (RCLKIN+) - (RCLKIN-)$



## 7-8 PIXEL CO-ORDINATES

Normal scan

D(1,1)	D(2,1)		D(X,1)		D(1023,1)	D(1024,1)
D(1,1)	D(1,1)		D(X,1)		D(1023,1)	D(1024,1)
D(1,Y)	D(1,Y)		D(X,Y)		D(1023,Y)	D(1024,Y)
D(1,767)	D(1,767)		D(X,767)		D(1023,767)	D(1024,767)
D(1,768)	D(1,768)		D(X,768)		D(1023,768)	D(1024,768)

## 7-9 OPTICAL CHARACTERISTICS

Measuring equipment:

Luminance: TOPCON BM-7

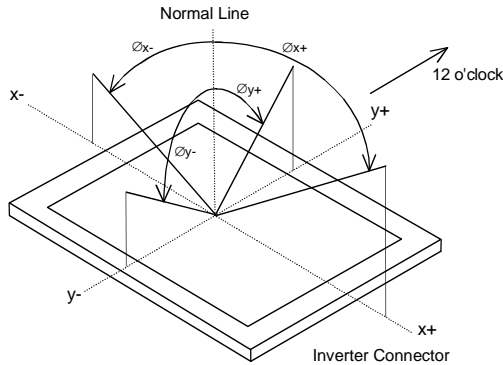
Viewing Angle, Contrast: ELDIM EZContrast 160D

Ta = 25°C ± 5°C

Parameter		Symbol	Condition	Min.	Typ.	Max.	Unit	Remark
Viewing angle range	Horizontal	∅x+	CR>10, ∅y = ±0°	-	80	-	deg.	note 1
		∅x-	CR>10, ∅y = ±0°	-	80	-	deg.	note 1
	Vertical	∅y+	CR>10, ∅x = ±0°	-	80	-	deg.	note 1
		∅y-	CR>10, ∅x = ±0°	-	80	-	deg.	note 1
Contrast ratio		CR	∅y=0°, ∅x=±0°	-	900:1	-	-	note 2
Response time		Ttotal	T <sub>R</sub> + T <sub>F</sub>	-	-	28	ms	note 3
Luminance (centre of screen)		Lw	at center v(abs) at center v(λ)	950	1200 1000		cd/m <sup>2</sup>	note 4
Dimming range		DR			1000:1			



Note 1: Definitions of viewing angle are as follows. (Matrix facing up, connector on the right side)



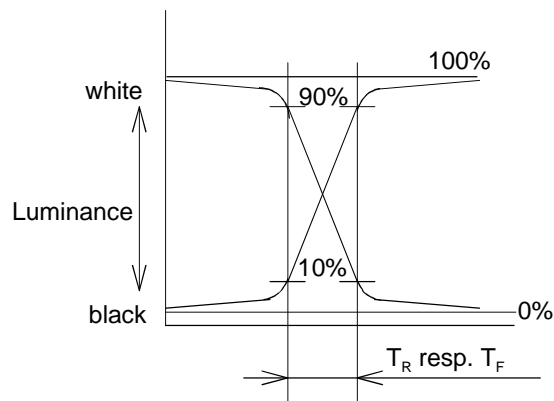
Note 2: The contrast ratio is calculated by using the following formula:

$$\text{Contrast ratio} = \frac{\text{Brightness (Luminance) with all pixels in "White"}}{\text{Brightness (Luminance) with all pixels in "Black"}}$$

The brightness is measured in a darkroom.

Note 3: Definition of response time is as follows.

Photo detector output signal is measured when the brightness changes "white" to "black". Response time is the time between 10% and 90% of the photo detector output amplitude.





# Liquid Crystal Display I-SFT 100i.10X-XT

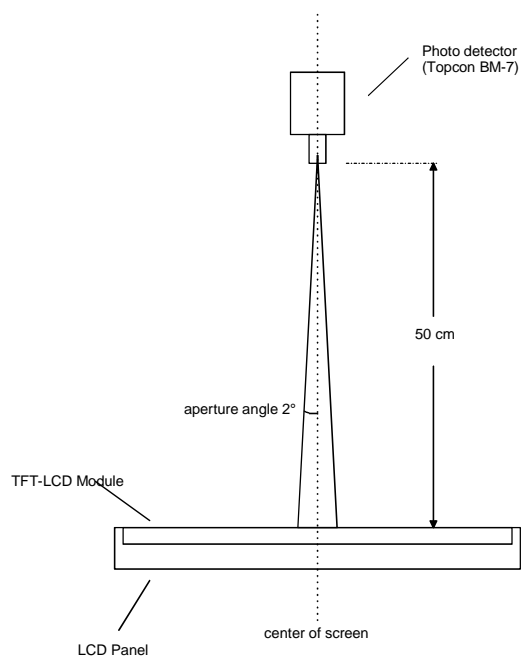


Note 4: Brightness measurements setup.

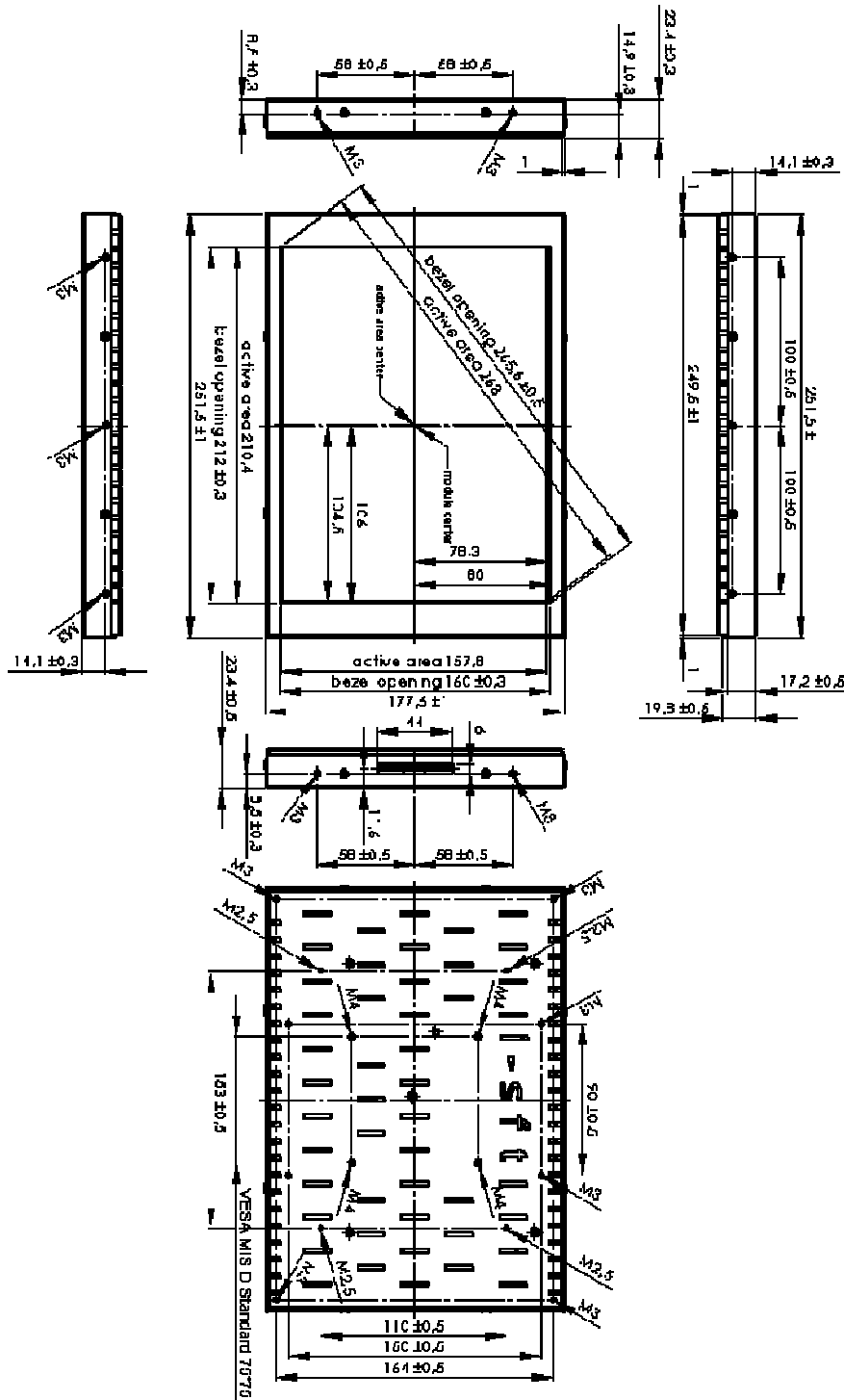
Measurement should be executed in a dark room 30 minutes after lighting the backlight. Matrix: on state.

The brightness is measured at the centre of the screen surface.

Environmental conditions: Temperature should be  $25 \pm 2$  °C. Ensure there is sufficient heat flow / air circulation is given



7-10 OUTLINE DIMENSIONS



tolerances in DIN ISO 2768 T1 class m



## 8. RELIABILITY TESTS

### 8.1 ENVIRONMENTAL TESTS

Test item	Condition	Standart	Judgement
High temperature (operating)	71 ± 2°C, 3 days	Mil-Std 810F, Methode 501.4	No display malfunctions
High temperature (non operating)	71 ± 2°C, 7 days	Mil-Std 810F, Methode 501.4	
Low temperature (operating)	-21 ± 2°C, 24 hours	Mil-Std 810F, Methode 502.4	
Low temperature (non operating)	-33 ± 2°C, 24 hours	Mil-Std 810F, Methode 502.4	
Thermal shock			
Vibration (operating)	Random vibration	Mil-Std 810F, Methode 514.4	
Mechanical shock (operating)	50g , 11ms ±X, ±Y, ±Z directions	Mil-Std 810F, Methode 516.5	
Altitude (operating)	25.000ft, 20 min	Mil-Std 810F, Methode 500.4	
Altitude (non operating)	50.000ft, 1 hour	Mil-Std 810F, Methode 500.4	

**8.2 EMI/EMC TESTS**

Test item	Test Method	Test Result	EUT Meets Criteria
Emissions Test (operating)	EN 55022:2006 Class A	No significant level of emission found in the frequency range of 30MHz through 1000MHz.	Yes
	EN 61000-3-2:2006	All even and odd harmonics current emissions were within stipulated limits.	Yes
	EN 61000-3-3:2005	The test results did not exceed the limits specified in the test criteria.	Yes
Immunity Test (operating)	IEC 61000-4-2:2001 (ESD)	Observation during and review after test showed no effect of the ESD test on the EUT.	A*
	IEC 6100-4-3:2006 (immunity to RF field)	The EUT continued to function normally during and after test.	A*
	IEC 61000-4-4:2004 (EFT)	Observation during and review after test showed no effect of the above tests on the EUT.	A*
	IEC 61000-4-5:2006 (voltage Surge)	The EUT continued to function normally in spite of the presence of surge currents on the input power of the host device of the EUT.	A*
	IEC 6100-4-6:2006 (Conducted Immunity)	The EUT continued to function normally in spite of the presence of conducted RF on the cables of the EUT.	A*
	IEC 61000-4-8:2001 (Magnetic Field Immunity)	The EUT continued to function normally in spite of being subjected to magnetic interference.	A*
	IEC 61000-4-11:2004 (Voltage Dips)	The EUT continued to function normally during and after test.	A*
	IEC 61000-4-11:2004 (Brownouts)	The EUT continued to function normally during and after test.	A*

\*No Degradation of Function



## 9. GENERAL PRECAUTIONS

### 9.1 MOUNTING

- (a) The module should be attached firmly to the system using every mounting hole. Be careful not to twist and bend the modules during mounting and operation.
- (b) To avoid the local build-up of heat, there must be a sufficient heat flow / air circulation on the rear side of the display. We recommend a minimum gap of 6 to 15 mm between the rear side of the display module and the application - depending on display size and orientation of mounting. As higher the display as wider the gap.
- (c) The length of fixation screws for the housing must not exceed 4 mm on the top, the bottom and on the sides. Length of fixation screws on the back plate must not exceed 6 mm
- (d) Refrain from strong mechanical shock and / or any force to the module, this may cause improper operation or damage to the module and e<sup>3</sup> backlight.

### 9.2 HANDLING

- (a) Note that polarizer's are very fragile and could be easily damaged. Do not press or scratch the surface harder than a HB pencil lead.
- (b) Wipe off water droplets or oil immediately. If you leave the droplets for a long time, staining and discoloration may occur.
- (c) If the surface of the polarizer is dirty, clean it using some absorbent cotton or soft cloth.
- (d) The desirable cleaners are water, IPA (Isopropyl Alcohol) or Hexane. Do not use Ketone type materials (ex. Acetone), Ethyl alcohol, Toluene, Ethyl acid or Methyl chloride. It might produce a permanent damage to the polarizer due to chemical reaction.
- (e) If the liquid crystal material leaks from the panel (i.e. when broken ), it should be kept away from the eyes or mouth. In case of contact with hands, legs or clothes, it must be washed away thoroughly with soap.
- (f) Protect the module from static electricity, it may cause damage to the C-MOS Gate Array IC`s.
- (g) Use finger-stalls with soft gloves in order to keep display clean during the incoming inspection and assembly process.
- (h) Do not disassemble the module.
- (i) Pins of I/F connector must not be touched directly with bare hands.



### 9.3 STORAGE

- (a) The module shall be stored in a dark place. It is prohibited to apply sunlight or fluorescent light during the store.

### 9.4 OPERATION

- (a) Do not connect, or disconnect the module in the “Power On” mode.
- (b) Power supply should always be turned on/off by following item 7.3 “ SUPPLY VOLTAGE SEQUENZE “. (see specification of your model)
- (c) Module has high frequency circuits. Sufficient suppression of electromagnetic interference shall be done by system manufacturers. Grounding and shielding methods may be important to minimize the interference.

### 9.5 OTHERS

- (a) Ultra-violet ray filter is necessary for outdoor operation.
- (b) Avoid condensation. It may result in improper operation or permanent damage.
- (c) Do not exceed the absolute maximum rating values (e.g. the supply voltage variation, input voltage variation, variation in part contents and environmental temperature and so on). Otherwise the module may be damaged.
- (d) If the module displays the same pattern continuously for a long period of time, image “sticking” can be seen on the screen. For proper operations avoid such conditions.
- (e) This module has its circuitry PCB's on the rear side. Please handle carefully in order to avoid any kind of stress.