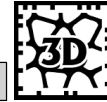
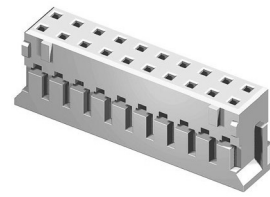


**CI01 Series 2.00mm(.079") Dual Row Wire to Board Housing & Terminal**

- Low profile Latch with Housing
- Mate with CI01, CH71, CH72, CH74, CH75 Header
- Can be used CI01 Crimp Clip Terminal (P/N: CI01TD21PE0)
- Insulator: Nylon 66 UL 94V-0, Color Nature

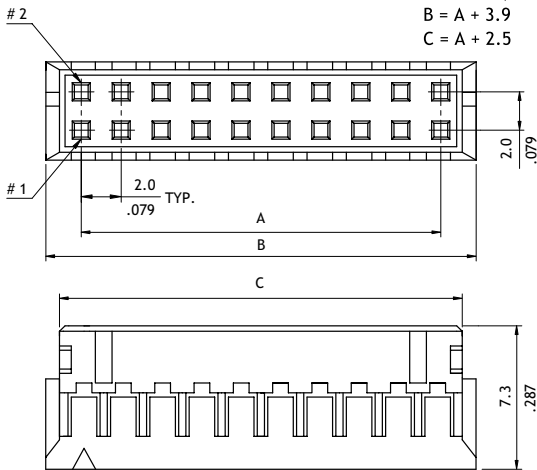


P/N CI01\*\*SD000

$$A = 2.0 \times (\text{No. of Circuits}/2-1)$$

$$B = A + 3.9$$

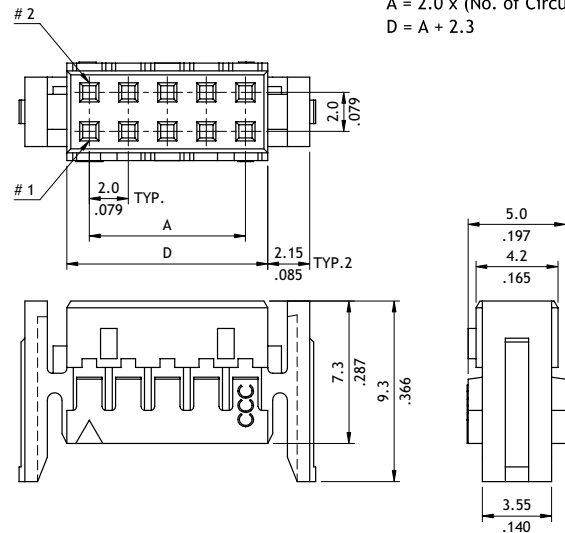
$$C = A + 2.5$$



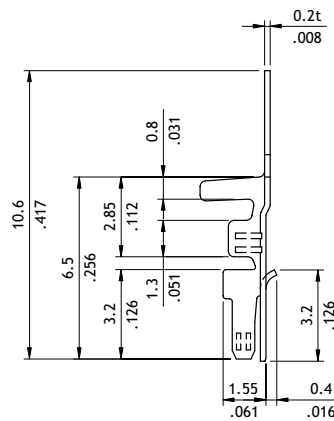
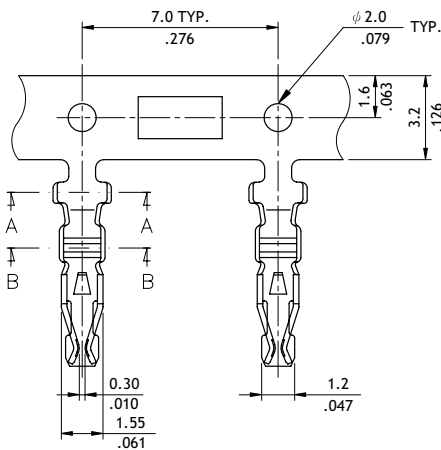
P/N CI01\*\*SD0L0

$$A = 2.0 \times (\text{No. of Circuits}/2-1)$$

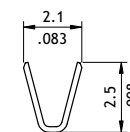
$$D = A + 2.3$$



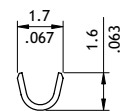
P/N CI01TD21PE0



Wire Range	Insulation Diameter	Reel Qty
AWG #22-#28	1.60 (.063) MAX.	10,000 PCS.



SEC.: A-A



SEC.: B-B

**Ordering Code**

**1** CI01 **2** 16 **3** S **4** D0 **5** 00

- ① Series No.
- ② No. of Circuits: 06 to 34
- ③ S = Housing
- ④ D0 = Dual Row Type
- ⑤ Other Options: 00 = Without Locking Latch  
L0 = With Locking Latch

\*Special options consult manufacturer

**1** CI01 **2** TD2 **3** 1 **4** P **5** E **6** 0

- ① Series No.
- ② Type: TD2 = AWG #22 ~ #28
- ③ Plating Code: 1 = Tin plated
- ④ Material: P = Phosphor Bronze
- ⑤ Plating Method: E = Pre-tinned
- ⑥ Other Options: 0 = Standard