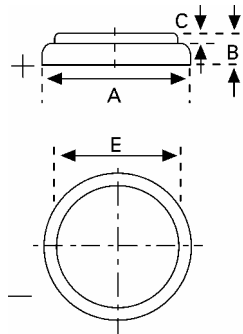


**Data Sheet**

**Type Number** ..... 6032  
**Designation IEC** ..... CR 2032  
**System** ..... Li-Manganese dioxide /  
 Organic Electrolyte

**UL Recognition:**..... MH 13654 (N)  
**Nominal Voltage** ..... 3 V  
**Typical Capacity C** ..... 230 mAh  
 Load 5.6 kOhm, at 20°C down to 2 V



**Weight (approx.)** ..... 3 g  
**Volume** ..... 0,95 ccm  
**Coding**..... Date of Manufacturing  
 Month/Year

**Temperature Ranges**

	min	max.
Storage .....	-55 °C	70 °C
Discharge .....	-20 °C	70 °C

**Dimensions**

	min	max.
Diameter (A) .....	19,7	20,0
Height (B) .....	2,9	3,2
Shoulder Diameter[E].....	18,3	
Shoulder Height [C].....	0,7	

**Segment** ..... Electronic

**Main Applications** ..... Watch  
 Photo  
 Electronic

**Typical Capacities (at 20 °C)**

Discharge Type	Load	End Voltage:	2.0 V
Continuous 24h/d, 7d/w Current [µA]:	5600 Ω	Time: Capacity [mAh]: Energy [mWh]:	460 h 230 645

CR 2032	6032 101 501	20.0	3.2	0.02	-	16.5	-	-	-	-	-	-	8	-
CR 2032 SC PCBD	6032 201 501	21.5	1.0	10.0	1.0 ±0.3	4.2	20.3	-	1.0	4.5	-	-	9	tag 0.25 mm
CR 2032 SC STO	6032 301 501	-	-	-	-	3.2	20.3	-	-	-	10.0	4.0	10	tag 0.15 mm
CR 2032 PCBD	6032 401 501	20.0	1.0	10.0	11.0	3.2	17.8	7.5	10.0	4.5	11.4	-	11	tag 0.25 mm
CR 2032 BE PCBS	6032 701 501	20.0	1.0	-	11.0	3.2	17.8	7.3	10.0	4.5	10.0	-	12	tag 0.20 mm
CR 2032 S WC <sup>1)</sup>	6032 101 013	20.7	-	-	-	5.5	30.0	-	-	-	96.0	2.0	13	tag 0.20 mm <sup>2)</sup>
CR 2032 S STO	6032 101 012	20.0	7.0	2.8	5.0	3.8	-	-	-	-	-	-	14	-

Tag material: nickel plated sheet-steel. SLF: tip tinned.

<sup>1)</sup> using Molex 51021-03 connector (Other wire connectors and wire length are available on request.) <sup>2)</sup> in shrink sleeve with wire and connector

Custom made assemblies are available on request for large volume.

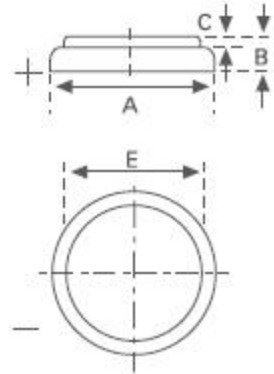


FIG. 8

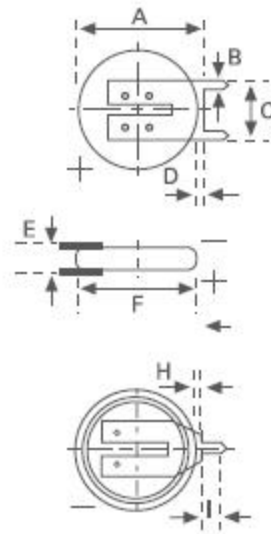


FIG. 9 SLF

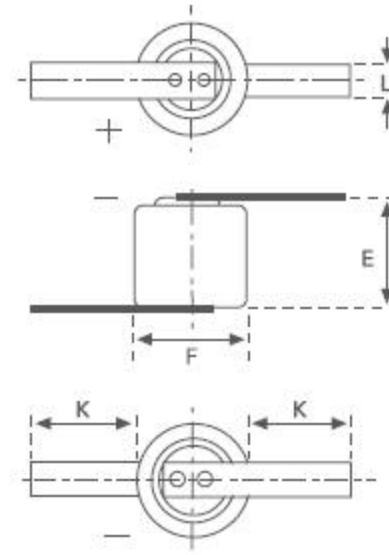


FIG. 10 LF

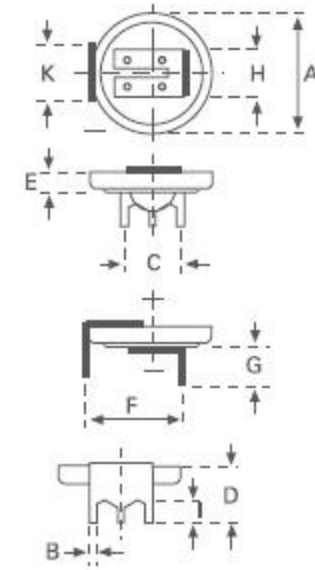


FIG. 11 PCB3

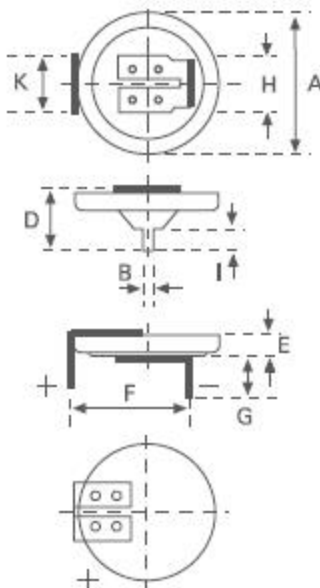


FIG. 12 PCB 2

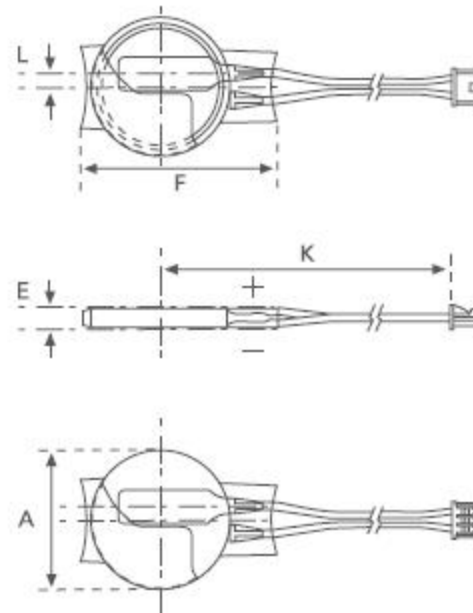


FIG. 13 WC

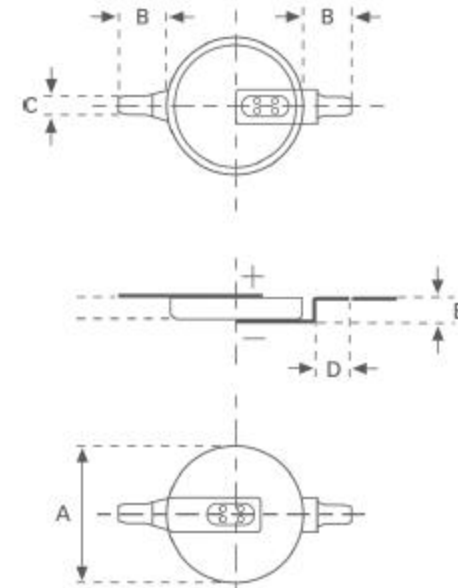


FIG. 14 SMT