

## Iris-XP lens for Cree XP-E/G LEDs



**APPLICATIONS:**  
**TORCH LIGHTS**  
**DOWNLIGHTS**  
**SPOTLIGHTS**

- Specially designed for Cree XP-E LED
- Lens material optical grade PMMA with high UV and temperature resistance (105°C/220°F).
- Holder material PC. Allows use of high current and temperature conditions.
- Very high optical efficiency 92%
- ~85 cd/lm peak intensity with Cree XP-E
- Tape version comes with double sided adhesive tape
- Screw version can be screwed from the bottom of the PCB
- Positioning pins to ensure right positioning.
- Medium and Oval sub lenses available

### LENS TYPES

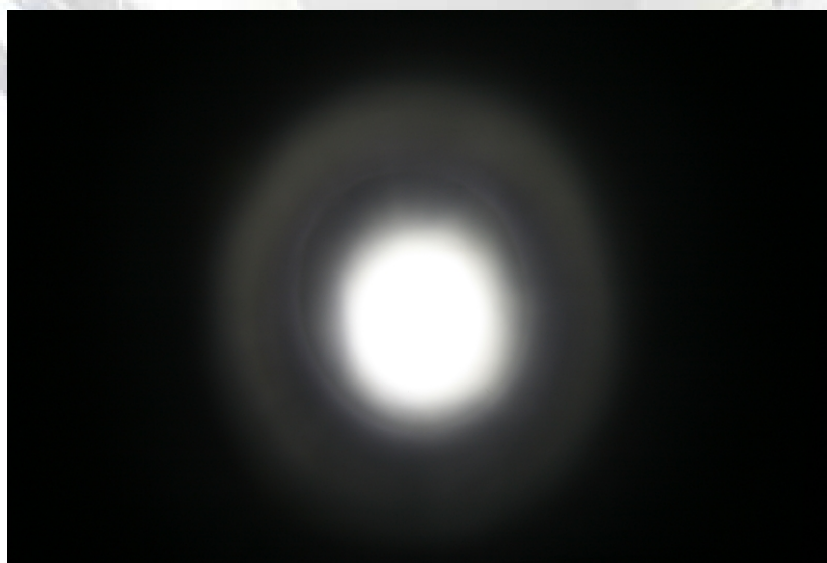
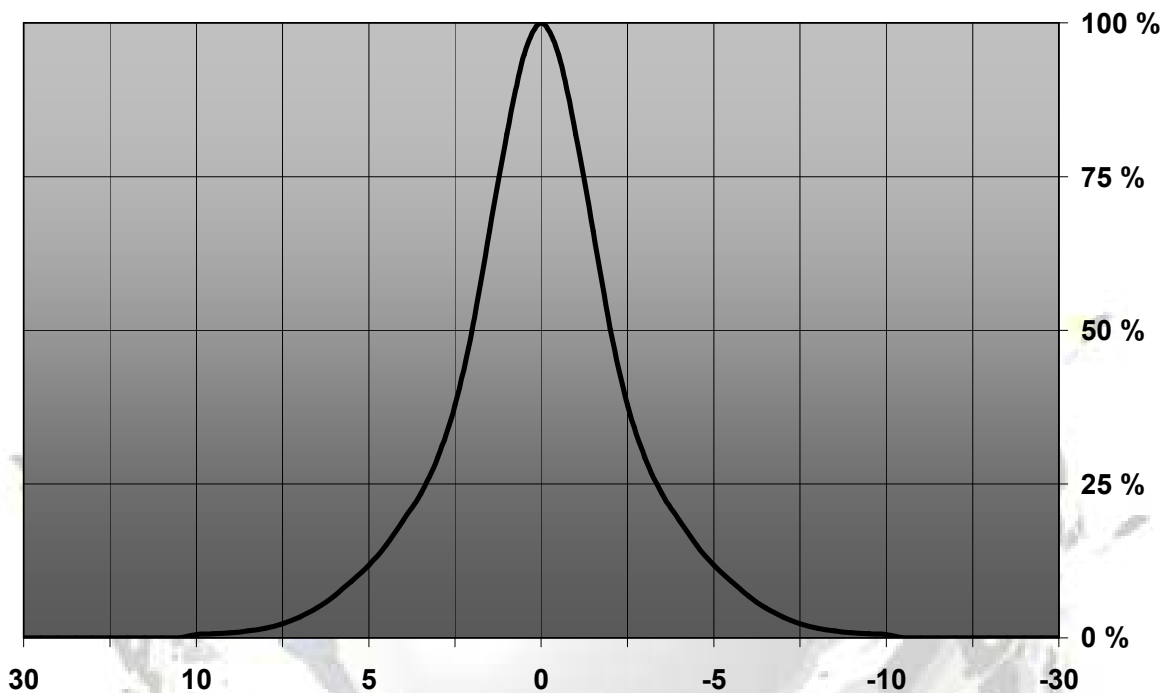
NAME	ORDERING CODE	FWHM Angle
Iris-XP-E Screw version	CA11358_Iris-XP-E-screw	±2°
Iris-XP-G Screw version	CA11358_Iris-XP-G-screw	±3°
Iris-XP-E Tape version	CA11362_Iris-XP-E-tape	±2°
Iris-XP-G Tape version	CA11362_Iris-XP-G-tape	±3°

**NOTE: DELIVERED UNASSEMBLED**

© Ledil Oy – PRELIMINARY - Subject to change without prior notice

## MEASUREMENTS

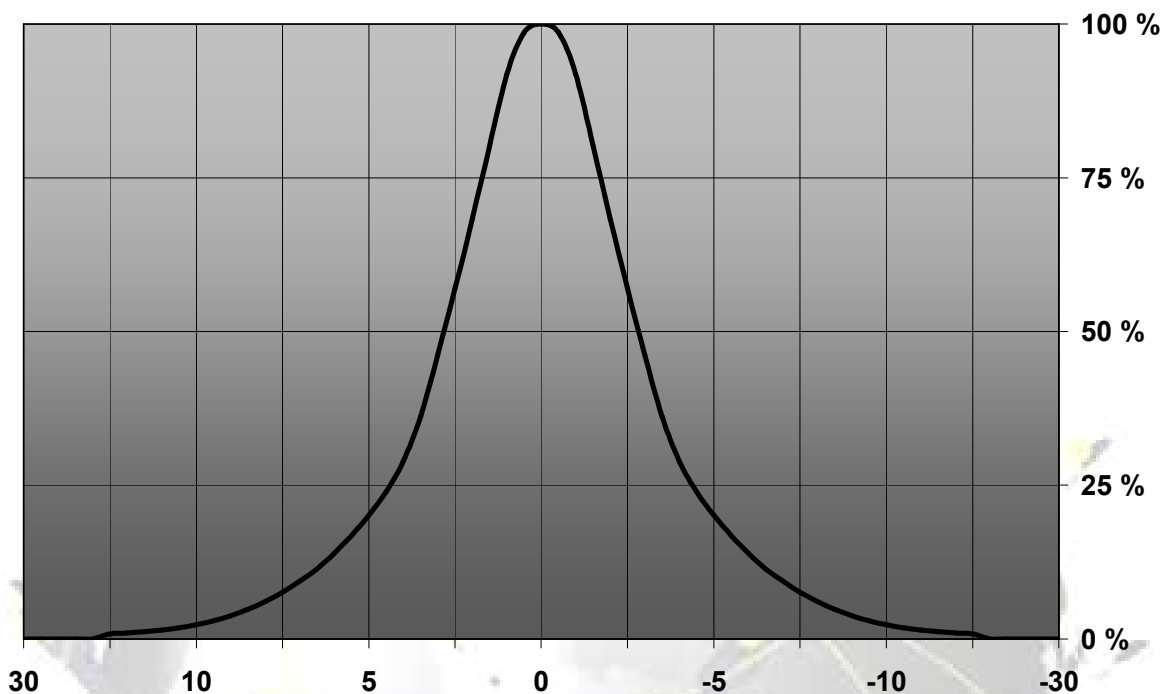
Relative Intensity of CA11358\_Iris-XP-E-screw



EULUMDAT & IES FILES AVAILABLE BY REQUEST

© Ledil Oy – PRELIMINARY - Subject to change without prior notice

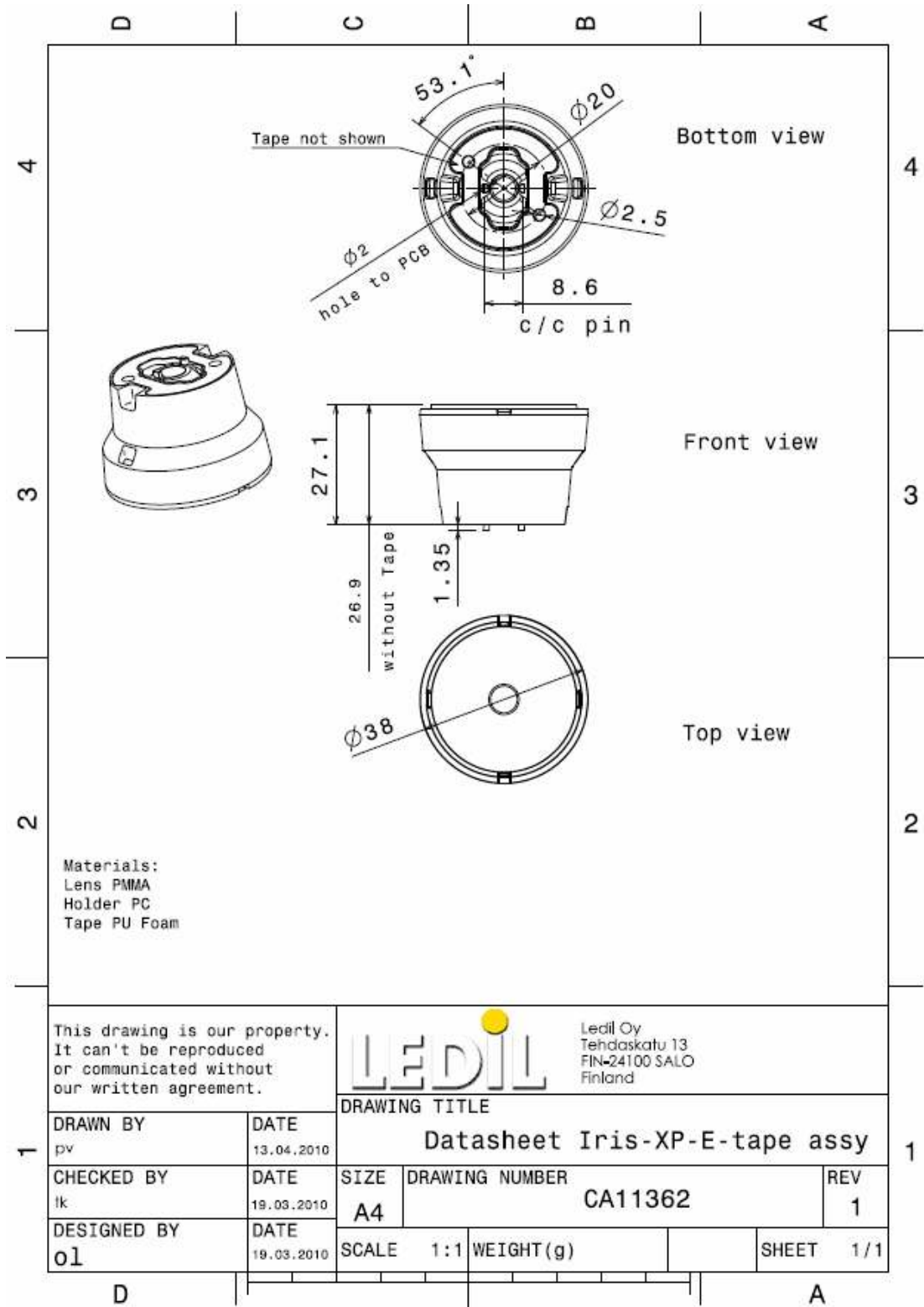
Relative Intensity of CA11358\_Iris-XP-G-screw



EULUMDAT & IES FILES AVAILABLE BY REQUEST

© Ledil Oy – PRELIMINARY - Subject to change without prior notice

## DRAWINGS



© Ledil Oy - PRELIMINARY - Subject to change without prior notice