

MEB SERIES

Metallized Polyester Film Capacitor, Mini Box Type with 5mm Pitch

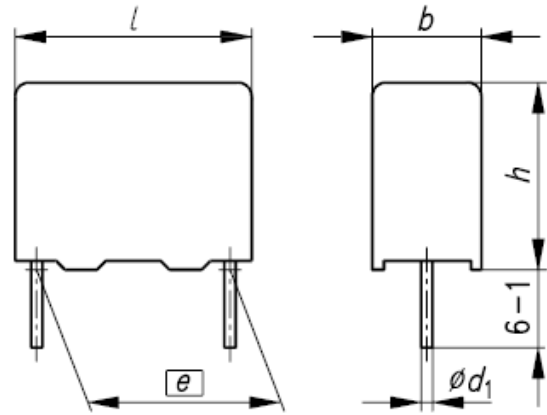
MEB are non-inductively wound with metallized Polyester film as dielectric and encapsulated in plastic case with epoxy resin filled.

FEATURES

- High moisture resistance.
- Good solder ability.
- Self-healing properties.
- Space-saving small size.

SPECIFICATIONS

1. Operating temperature range: -25°C to +85°C
For between +85°C to +105°C, a decreasing factor of 1.25%/°C on the rated voltage have to be applied.
2. Capacitance range: 0.001μF – 1.0μF
3. Capacitance tolerance: +/-5%(J), +/-10%(K)
4. Rated voltage: 50Vdc, 63Vdc, 100Vdc
5. Dissipation factor: 1.0% max. at 1KHz, 25°C
6. Insulation resistance: >15,000 MΩ for C≤0.33μF, ≥ 5000 s for C>0.33μF&≤ 1uF
7. Test Voltage between terminal: 1.4 X VR applied for 2 sec at 25°C±5°C



Unit : :mm

RV SIZE CAP(μF)	63VDC					100 VDC					Packing units(pcs)
	L	h	b	e ±0.5	dø ±0.02	L	h	b	e ±0.5	dø ±0.02	Ammo pack
0.0010 0.0015	→					7.2	6.5	2.5	5.0	0.5	2000
0.0022 0.0033	→					7.2	6.5	2.5	5.0	0.5	2000
0.0047 0.0068	→					7.2	6.5	2.5	5.0	0.5	2000
0.010 0.015	→					7.2	6.5	2.5	5.0	0.5	2000
0.022 0.033	→					7.2	6.5	2.5	5.0	0.5	2000
0.047 0.068	→					7.2	6.5	2.5	5.0	0.5	2000
0.10	→					7.2	6.5	2.5	5.0	0.5	2000
0.15	7.2	6.5	2.5	5.0	0.5						2000
						7.2	6.5	3.0	5.0	0.5	1500
0.22	7.2 6.5 2.5 5.0 0.5										2000
						7.2	8.0	3.5	5.0	0.5	1500
0.33	7.2	6.5	3.0	5.0	0.5	7.2	8.0	3.5	5.0	0.5	1500
0.47	7.2	8.0	3.5	5.0	0.6	7.3	9.5	4.5	5.0	0.6	1500
0.68	7.3	9.5	4.5	5.0	0.6	7.5	10.5	6.0	5.0	0.6	1000
1.00	7.3 9.5 4.5 5.0 0.6										1000
						7.8	13.0	7.8	5.0	0.6	500
1.50	7.5	10.5	6.0	5.0	0.6						1000
2.20	7.8	13.0	7.8	5.0	0.6						500