

## L7581/2/3 and L8581 Ringing, Tip/Ring, and Line Card Access Switches

---

### Features

- Small size/surface-mount packaging
- Monolithic IC reliability
- Low impulse noise
- Make-before-break, break-before-make operation
- Clean, bounce-free switching
- Low, matched ON resistance
- Built-in current limiting, thermal shutdown, and SLIC protection
- 5 V only operation, very low power consumption
- Battery monitor, all OFF state upon loss of battery
- No EMI
- Latched logic level inputs, no drive circuitry
- Only one external protector required

### Applications

- Central office
- DLC
- PBX
- DAML
- HFC/FITL

### Description

The L7581/8581 provides solid-state access for power ringing applications. The L7582 provides access for power ringing and line test. The L7583 line card access switch (LCAS) provides power ringing, line test, and self-test access.

Incorporated into the L758xA is a diode bridge/SCR clamping circuit, current-limiting circuitry, and thermal shutdown mechanism. The L758xB provides a diode bridge clamping circuit, current-limiting circuitry, and thermal shutdown mechanism.

A single external protection device is required. Agere Systems Inc. has available characterized protection devices designed to work with Agere LCAS devices (contact a Agere account representative for information about these products).

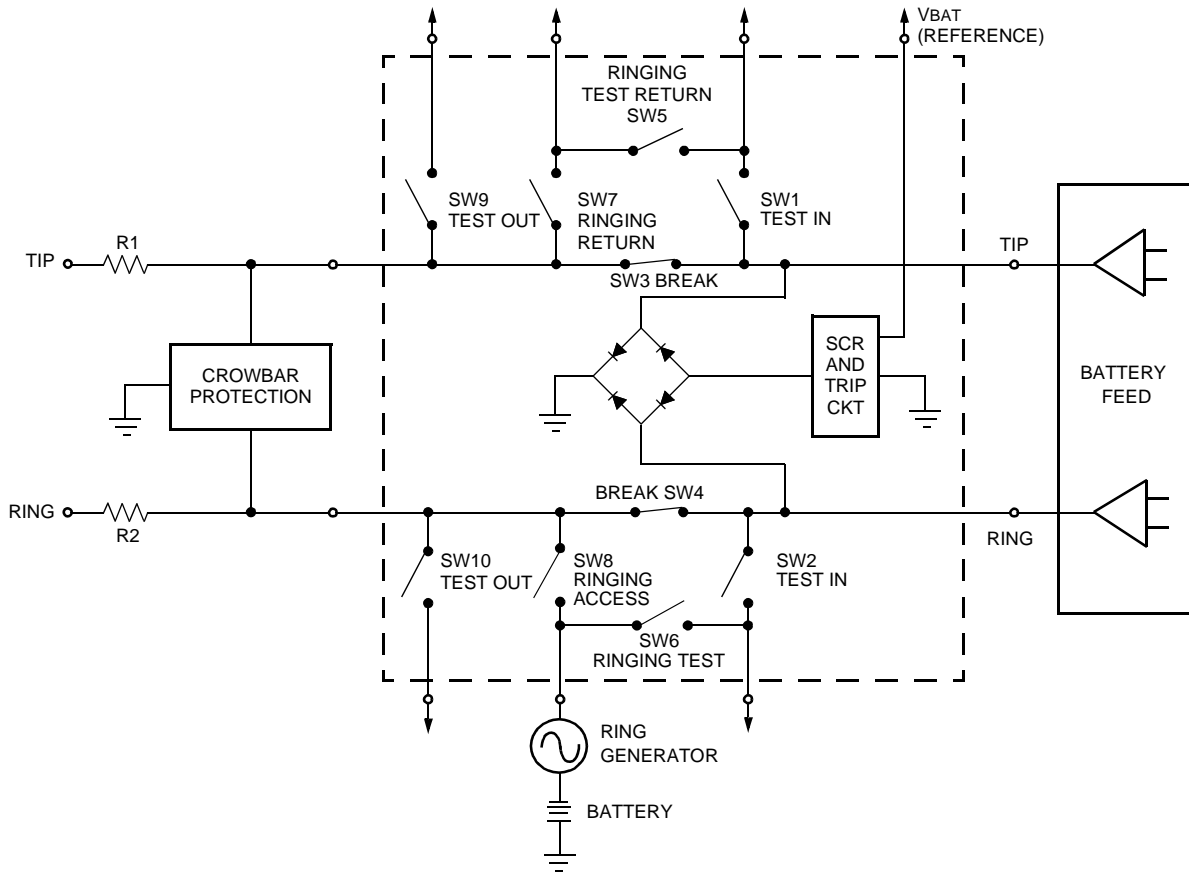
Agere LCAS devices require a 5 V supply to operate. Additionally, a battery monitor circuit is included, which forces an all-off state if the battery is lost.

The L7581 device is packaged in a 16-pin, plastic DIP package (L7581AC/BC) and a 16-pin, plastic SOG package (L7581AAE/BAE). These devices are pin compatible with the L7541 device.

The L7582 device is packaged in a 16-pin, plastic DIP package (L7582AC/BC) and a 16-pin, plastic SOG package (L7582AAE/BAE). The L7582AAE/BAE are pin compatible with the L7542AAE/BAE.

The L7583A/B/C/D device is packaged in a 24-pin, plastic DIP (L7583AF/BF/CF/DF) and a 28-pin, plastic SOG package (L7583AAJ/BAJ/CAJ/DAJ).

Application



12-2366d F

For additional information, contact your Agere Systems Account Manager or the following:

INTERNET: <http://www.agere.com>

E-MAIL: [docmaster@agere.com](mailto:docmaster@agere.com)

N. AMERICA: Agere Systems Inc., 555 Union Boulevard, Room 30L-15P-BA, Allentown, PA 18109-3286

1-800-372-2447, FAX 610-712-4106 (In CANADA: 1-800-553-2448, FAX 610-712-4106)

ASIA: Agere Systems Hong Kong Ltd., Suites 3201 & 3210-12, 32/F, Tower 2, The Gateway, Harbour City, Kowloon

Tel. (852) 3129-2000, FAX (852) 3129-2020

CHINA: (86) 21-5047-1212 (Shanghai), (86) 10-6522-5566 (Beijing), (86) 755-695-7224 (Shenzhen)

JAPAN: (81) 3-5421-1600 (Tokyo), KOREA: (82) 2-767-1850 (Seoul), SINGAPORE: (65) 6778-8833, TAIWAN: (886) 2-2725-5858 (Taipei)

EUROPE: Tel. (44) 7000 624624, FAX (44) 1344 488 045

Agere Systems Inc. reserves the right to make changes to the product(s) or information contained herein without notice. No liability is assumed as a result of their use or application.