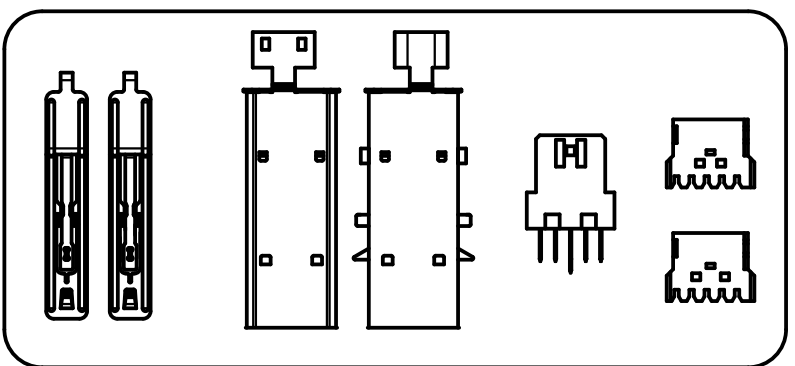
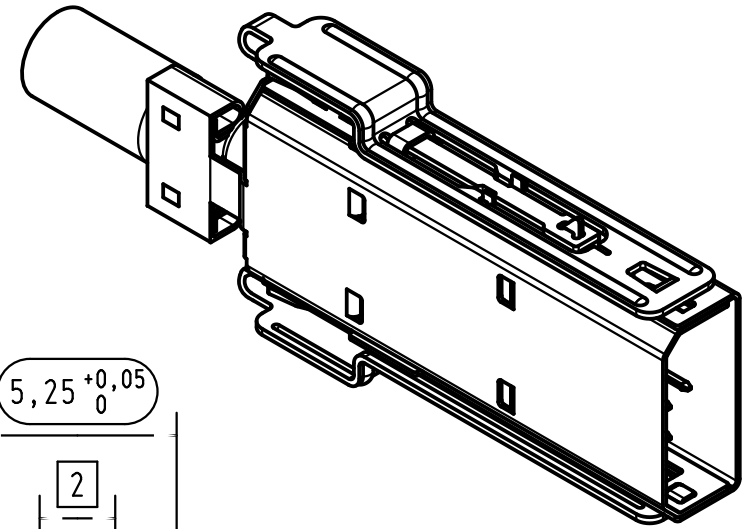
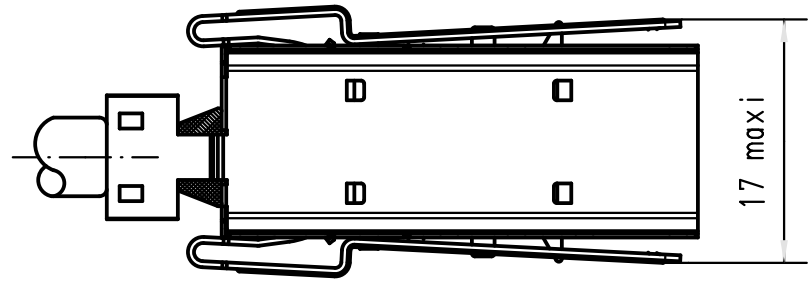


PACKAGING PIECE PARTS

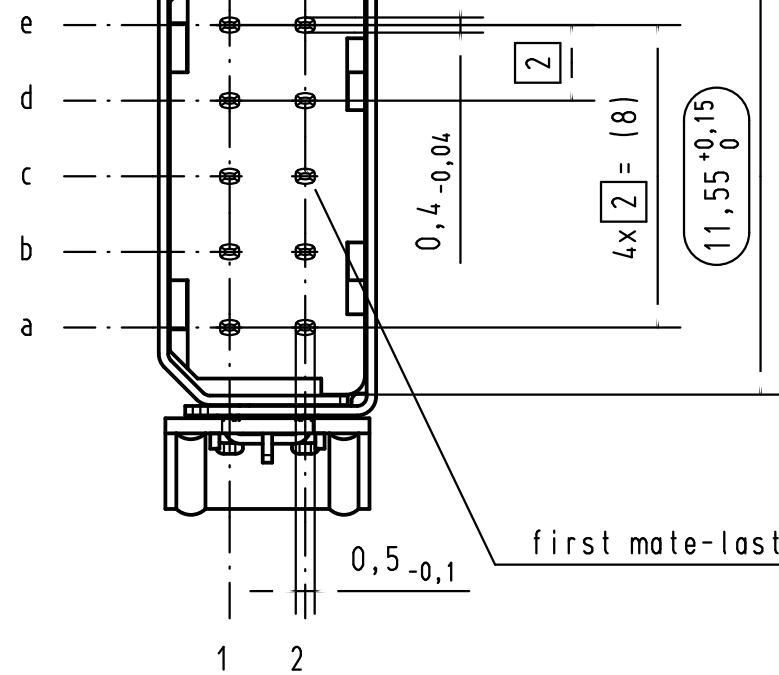


AFTER LATCHES OPENING

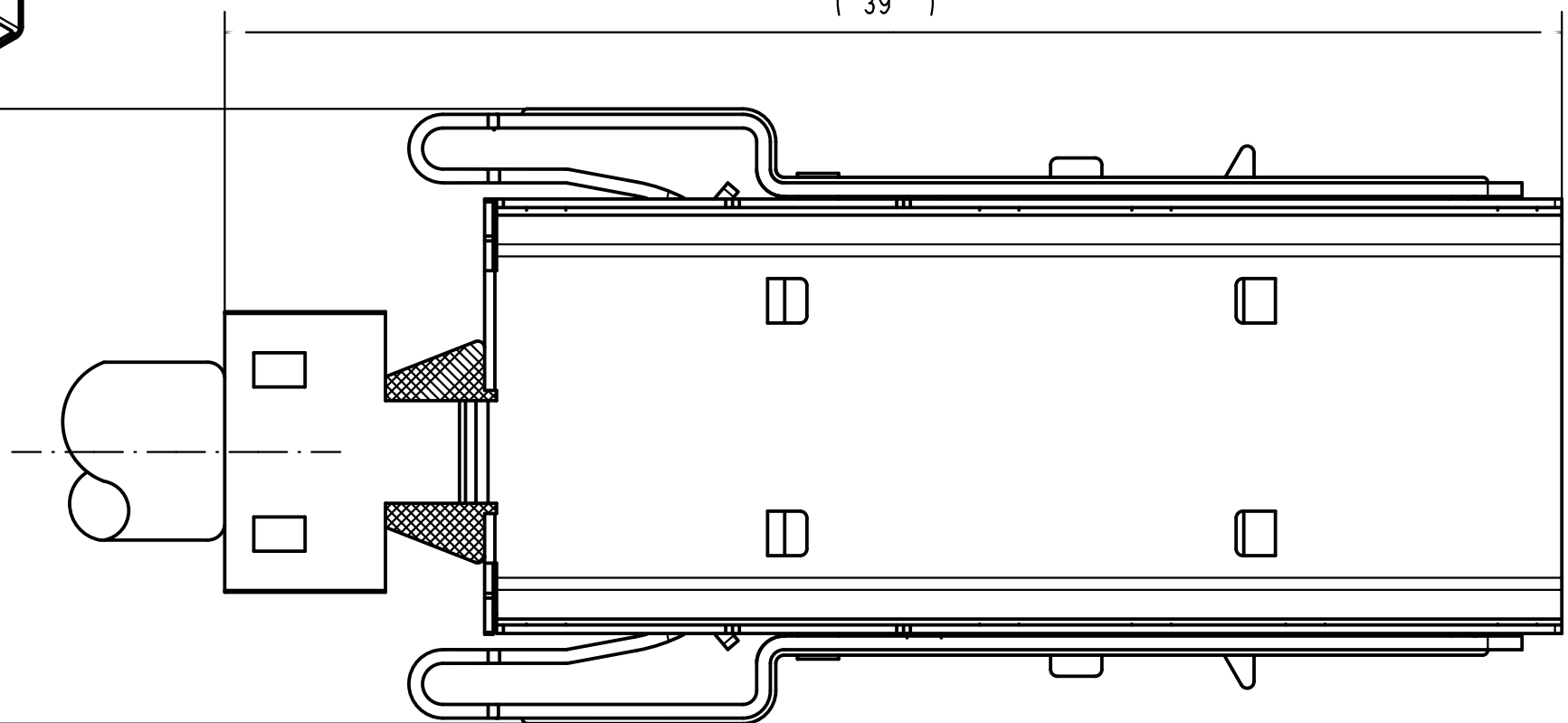


$5,25^{+0,05}_0$

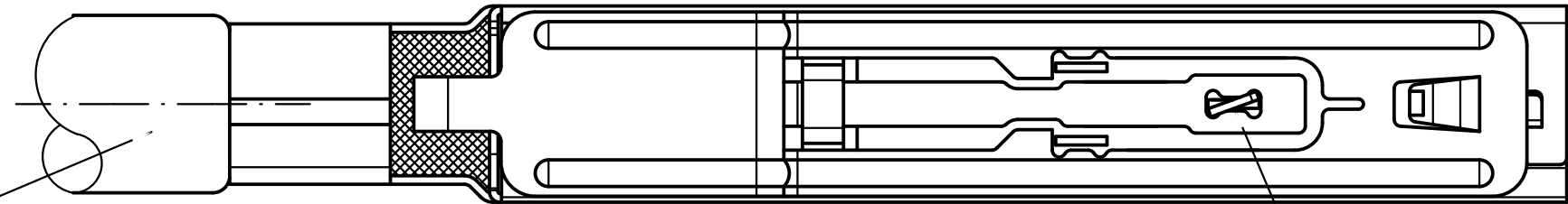
2



( 18 )



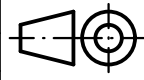
( 39 )



recommended cable  
 outer insulation diameter 5.33+/-0.25mm  
 wire insulation diameter  
 0.50 to 0.65mm for 1c and 2c contacts  
 0.65 to 0.80mm for others  
 wire conductor AWG28/7-AWG30/7-AWG30/1

twisting (from 20° to 45°) of front stop over central blade is recommended.

Alle Rechte vorbehalten/ All rights reserved

				Det.	Name	 har.link® DS-Link cable free male IDC connector with two locking levers	All Dim. in mm Orig. Size DIN A 3	Mod. Det. Name HARTING EURL F-95972 Paris	TB 27 11 161 8001 Sub. TB 27 11 161 8001.02	Maßstab/ Scale 5:1 Blatt/ Page 1/1
EC01859	07-MAY-10	JB	Insp.	05-JAN-01	JB					
33256	08-NOV-05	JB	Stand.							
27968	16-JAN-01	JB								
27966	05-JAN-01	JB								

# Mouser Electronics

Authorized Distributor

Click to View Pricing, Inventory, Delivery & Lifecycle Information:

[HARTING:](#)

[27111618001](#)