

Rated voltage 250 Vac

Rated current 0,35 to 4,6 A

Rated inductance 3,3 to 100 mH

Construction

- Current-compensated double choke with closed, rectangular ferrite core
- Closed polycarbonate coil former with 4 sections
- Without encapsulation
- 2-section winding
- Creepage distances and clearances > 3 mm

Features

- Coil former flame-retardant as per UL 94 V-0
- Recycleable owing to omission of encapsulation and glue
- High resonance frequency due to 2-section winding
- Low leakage due to closed core shape
- High pulse strength
- Low whirring noise
- Approx. 1 % stray inductance for symmetrical interference suppression

Applications

- Electronic ballasts for lamps
- Switch-mode power supplies for TV sets


Terminals

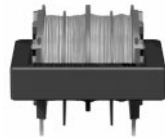
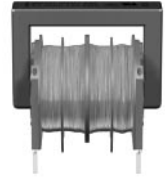
- Tinned
- Pins fitting standard PCB grid

Marking

Ordering code, rated current, rated inductance, mark of conformity, manufacturer, date of manufacture, marking for B82731-H: manufacturer, ordering code

Approvals

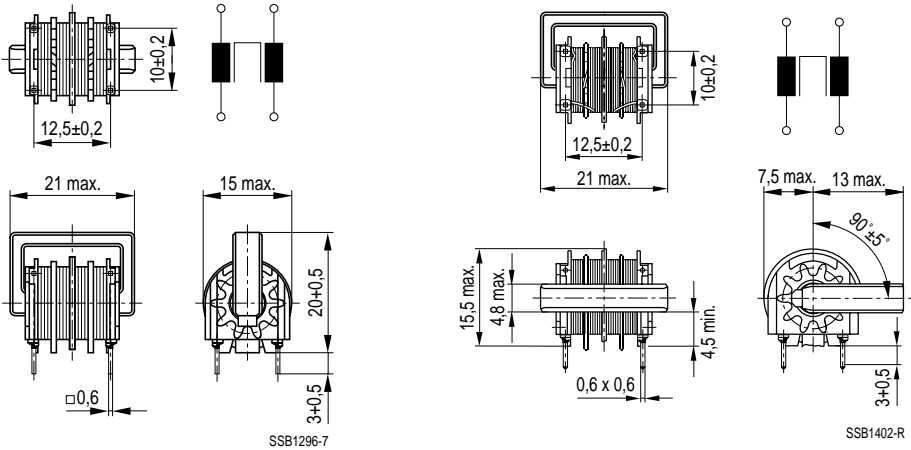
| Approval marks | Standards |
|---|-----------------------|
|  | EN 60938-2 UL 1283 |



Dimensional drawings and pin configuration

Vertical version

Horizontal version


General technical data

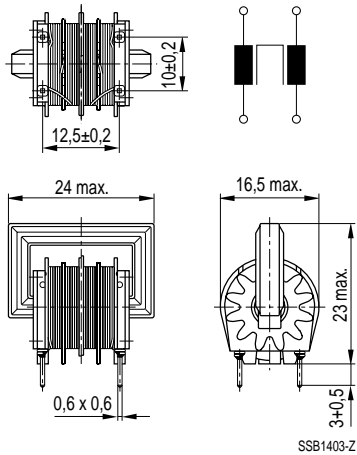
| | |
|----------------------|---|
| Rated voltage V_R | 250 Vac/dc |
| Test voltage V_T | 1500 Vac, 2 s (line/line) |
| Rated current I_R | Referred to 50 Hz and 40 °C ambient temperature |
| Inductance tolerance | - 30/+ 50 % |
| Weight | Approx. 7 g |

 For further technical data [see page 334](#)
Characteristics and ordering codes

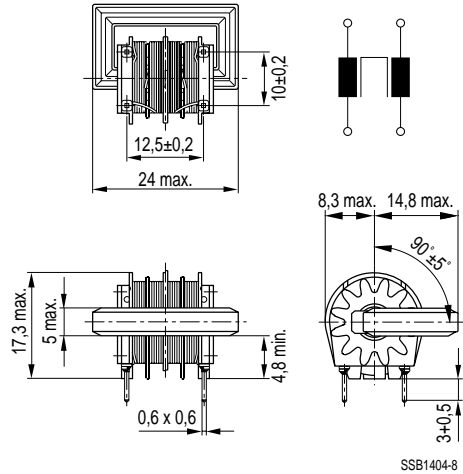
| I_R A | L_R mH | L_S, typ μH | R_{typ} m Ω | Ordering code | |
|------------|-------------|-----------------------|-------------------------|------------------|--------------------|
| | | | | vertical version | horizontal version |
| 0,35 | 100 | 1000 | 4500 | B82731-M2351-A30 | B82731-H2351-A30 |
| 0,4 | 68 | 700 | 3000 | B82731-M2401-A33 | B82731-H2401-A33 |
| 0,5 | 47 | 470 | 2000 | B82731-M2501-A30 | B82731-H2501-A30 |
| 0,6 | 39 | 390 | 1500 | B82731-M2601-A30 | B82731-H2601-A30 |
| 0,7 | 27 | 270 | 1000 | B82731-M2701-A30 | B82731-H2701-A30 |
| 0,9 | 15 | 150 | 600 | B82731-M2901-A30 | B82731-H2901-A30 |
| 1,1 | 10 | 100 | 400 | B82731-M2112-A30 | B82731-H2112-A30 |
| 1,3 | 6,8 | 70 | 280 | B82731-M2132-A30 | B82731-H2132-A30 |
| 1,8 | 3,3 | 35 | 140 | B82731-M2182-A30 | B82731-H2182-A30 |

D Core Chokes
Dimensional drawings and pin configuration

Vertical version



Horizontal version


General technical data

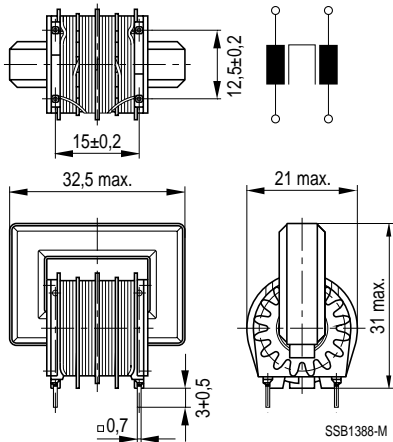
| | |
|----------------------|---|
| Rated voltage V_R | 250 Vac/dc |
| Test voltage V_T | 1500 Vac, 2 s (line/line) |
| Rated current I_R | Referred to 50 Hz and 40 °C ambient temperature |
| Inductance tolerance | - 30/+ 50 % |
| Weight | Approx. 11 g |

 For further technical data [see page 334](#)
Characteristics and ordering codes

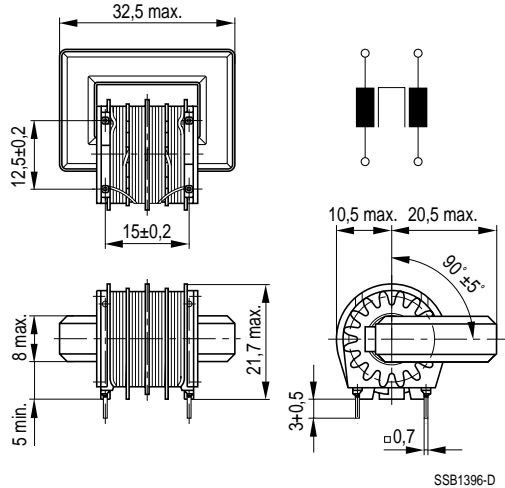
| I_R A | L_R mH | L_S , typ μ H | R_{typ} m Ω | Ordering code | |
|------------|-------------|------------------------|-------------------------|------------------|--------------------|
| | | | | vertical version | horizontal version |
| 0,6 | 47 | 400 | 1400 | B82732-R2601-B30 | B82732-W2601-B30 |
| 0,7 | 39 | 330 | 1100 | B82732-R2701-B30 | B82732-W2701-B30 |
| 0,9 | 27 | 230 | 750 | B82732-R2901-B30 | B82732-W2901-B30 |
| 1,1 | 15 | 125 | 440 | B82732-R2112-B30 | B82732-W2112-B30 |
| 1,4 | 10 | 85 | 300 | B82732-R2142-B30 | B82732-W2142-B30 |
| 1,7 | 6,8 | 55 | 190 | B82732-R2172-B30 | B82732-W2172-B30 |
| 2,2 | 3,3 | 27 | 110 | B82732-R2222-B30 | B82732-W2222-B30 |

D Core Chokes
Dimensional drawings and pin configuration

Vertical version



Horizontal version


General technical data

| | |
|----------------------|---|
| Rated voltage V_R | 250 Vac/dc |
| Test voltage V_T | 1500 Vac, 2 s (line/line) |
| Rated current I_R | Referred to 50 Hz and 40 °C ambient temperature |
| Inductance tolerance | - 30/+ 50 % |
| Weight | Approx. 30 g |

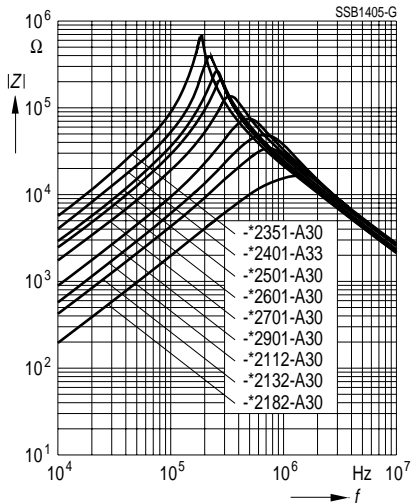
 For further technical data [see page 334](#)
Characteristics and ordering codes

| I_R A | L_R mH | L_S , typ μ H | R_{typ} m Ω | Ordering code | |
|------------|-------------|------------------------|-------------------------|------------------|--------------------|
| | | | | vertical version | horizontal version |
| 1,3 | 47 | 250 | 560 | B82734-R2132-B30 | B82734-W2132-B30 |
| 1,4 | 39 | 210 | 460 | B82734-R2142-B30 | B82734-W2142-B30 |
| 1,7 | 27 | 140 | 320 | B82734-R2172-B30 | B82734-W2172-B30 |
| 2,3 | 15 | 80 | 185 | B82734-R2232-B30 | B82734-W2232-B30 |
| 2,6 | 10 | 53 | 130 | B82734-R2262-B30 | B82734-W2262-B30 |
| 3,2 | 6,8 | 35 | 85 | B82734-R2322-B30 | B82734-W2322-B30 |
| 4,6 | 3,3 | 17 | 46 | B82734-R2462-B30 | B82734-W2462-B30 |

Impedance $|Z|$ versus frequency f
(measured with windings in parallel)

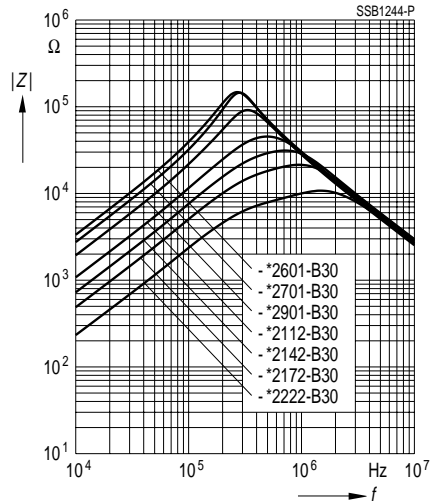
B82731-*

* = M or H



B82732-*

* = R or W



B82734-*

* = R or W

