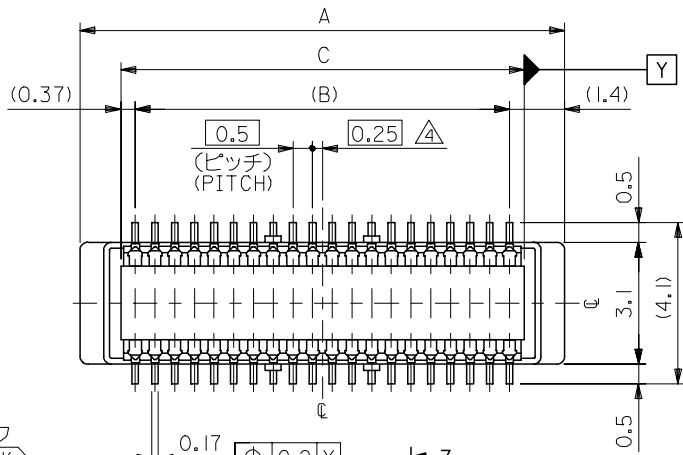
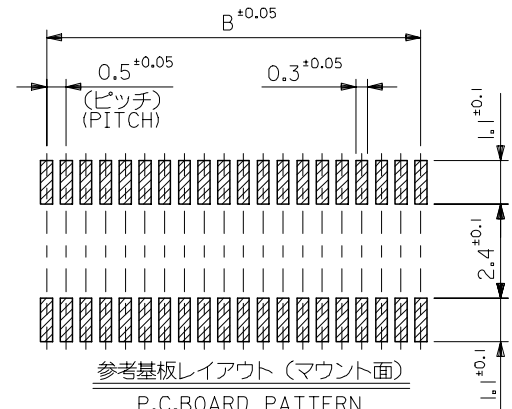
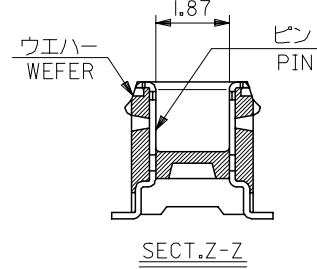
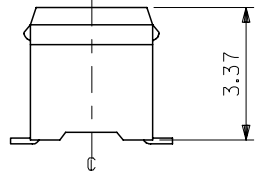
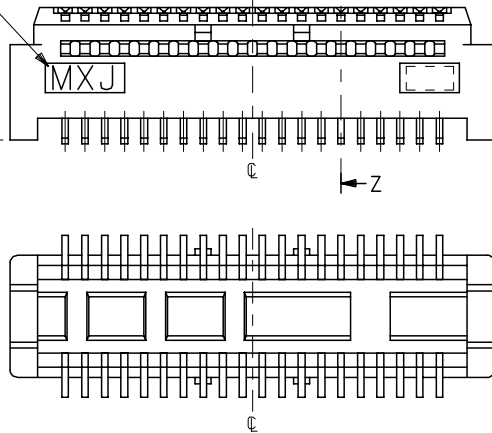


10 9 8 7 6 5 4 3 2 1

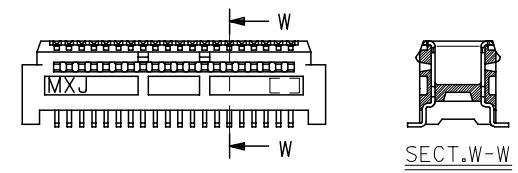


トレードマーク
TRADE MARK

X



参考基板レイアウト (マウント面)
P.C. BOARD PATTERN
DIMENSION (REF.)
(MOUNTING AREA)



60極品以上形状図
SHAPE OF OVER 60CKT.

注記 NOTES:

- 使用材料 MATERIAL
 ウエハー: LCPガラス入り (黒), UL94V-0
 WAFER: LCP(G.F.) (COLOR: BLACK),
 UL94V-0
 ピン: 黄銅 (t=0.15)
 PIN: BRASS (t=0.15)
 - メッキ仕様 PLATING
 全体仕上げ: 金メッキ 0.1 MICROMETER MIN.
 ALL OVER: GOLD 0.1 MICROMETER MIN.
 下地メッキ: ニッケルメッキ 1.5 MICROMETER MIN.
 UNDER PLATING: NICKEL 1.5 MICROMETER MIN.
 - 基準面 [X] からのソルダーテールの半田付け面のズレ量は、上方向 0、
 下方向 0.15MAX. とする。
 MISALIGNMENT OF SOLDER TAIL FROM [X]
 : UPPER DIRECTION 0, LOWER DIRECTION 0.15 MAX.
- △ (全極数/2) = 偶数の場合に適用。
 APPLY FOR (CIRCUIT/2)=EVEN.

- 嵌合相手: 54167 シリーズ
 52991 シリーズ
 MATE WITH: 54167 SERIES,
 52991 SERIES.
- テール平坦度は、0.1MAX.
 TAIL COPLANARITY TO BE 0.1MAX.

53916-***1	MODEL NO.	C	B	A	MATERIAL NO.	極数 CIRCUIT
20.24	19.5	22.3	53916-0801	80		
17.74	17.0	19.8	-0701	70		
15.24	14.5	17.3	-0601	60		
12.74	12.0	14.8	-0501	50		
10.24	9.5	12.3	-0401	40		
7.74	7.0	9.8	-0301	30		
5.24	4.5	7.3	53916-0201	20		

REVISED EC NO: J2006-0604 DR: NNAIDA 2005/08/31 CHK: KTOYODA 2005/09/01 APPR: NUKITA 2005/09/09	GENERAL TOLERANCES (UNLESS SPECIFIED)		DIMENSION STYLE MM ONLY		SCALE ---	DESIGN UNITS METRIC	THIRD ANGLE PROJECTION
	10 UNDER	±0.2	DRAWN BY S. AIHARA	DATE '96/11/28	TITLE 0.5 B/B CONN PLUG ASSY (W/O BOSS, W/O NAIL) -LEAD FREE-		
	10 OVER 30 UNDER	±0.25	CHECKED BY M. SASAO	DATE '01/12/26			
	30 OVER	±0.3	APPROVED BY M. SASAO	DATE '01/12/26	MOLEX INCORPORATED		
ANGULAR	±3 °	MATERIAL NO.	DOCUMENT NO. SD-53916-001	SHEET NO. 1 OF 2			
DRAFT WHERE APPLICABLE MUST REMAIN WITHIN DIMENSIONS		SIZE A3	THIS DRAWING CONTAINS INFORMATION THAT IS PROPRIETARY TO MOLEX INCORPORATED AND SHOULD NOT BE USED WITHOUT WRITTEN PERMISSION				

10 9 8 7 6 5 4 3 2 1

F

E

D

C

B

A

F

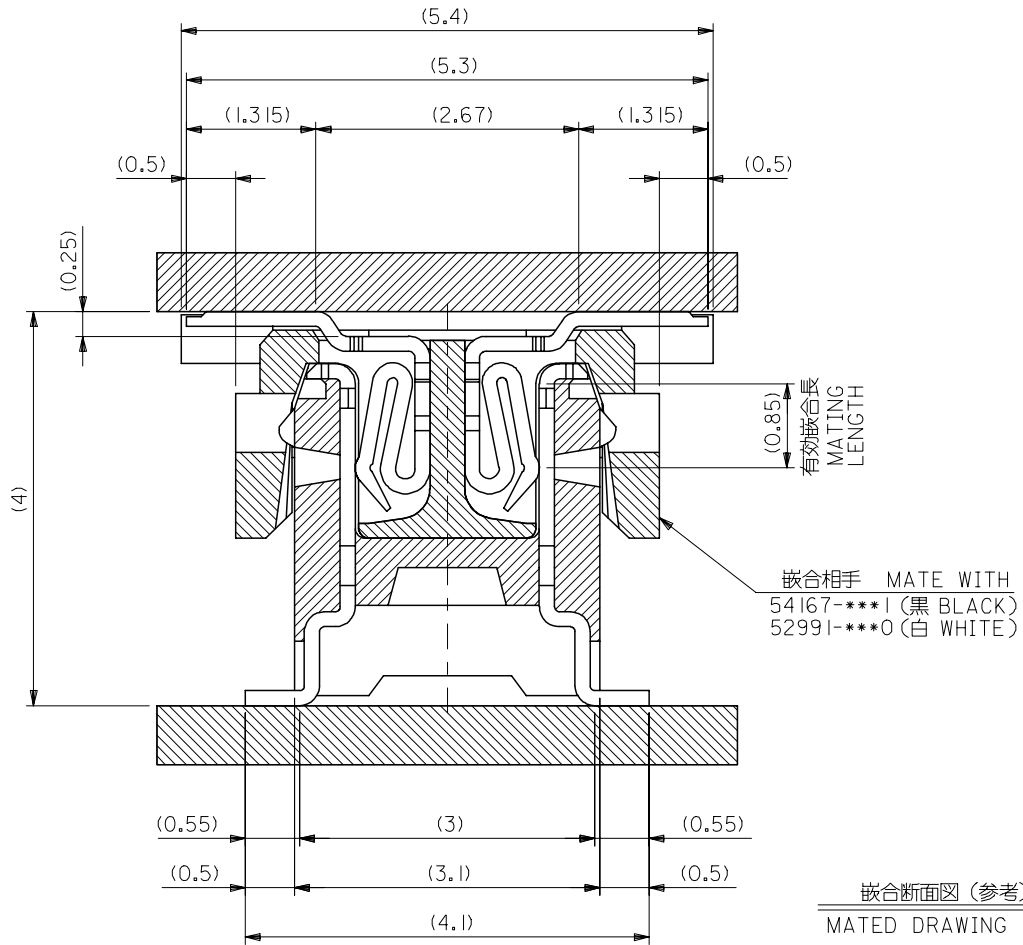
E

D

C

B

A



REVISED		GENERAL TOLERANCES (UNLESS SPECIFIED)		DIMENSION STYLE		SCALE	DESIGN UNITS	MODEL NO.	
EC NO: J2006-0604	2005/08/31	10 UNDER ± ---		MM ONLY		---	METRIC	53916-***1	
DRW:NAIDA	2005/09/01	10 OVER 30 UNDER ± ---		DRAWN BY DATE		THIRD ANGLE PROJECTION		MODEL NO.	
CHK:KTOYODA	2005/09/01	30 OVER ± ---		S. AIHARA '96/11/28		TITLE		0.5 B/B CONN PLUG ASSY	
APPR:NUKITA	2005/09/09	ANGULAR ± --- °		CHECKED BY DATE		MOLEX INCORPORATED		(W/O BOSS, W/O NAIL)	
		DRAFT WHERE APPLICABLE MUST REMAIN WITHIN DIMENSIONS		M. SASAO '01/12/26		MATERIAL NO.		-LEAD FREE-	
				APPROVED BY DATE		DOCUMENT NO.		SHEET NO.	
				M. SASAO '01/12/26		SD-53916-001		2 OF 2	
				SEE CHART		THIS DRAWING CONTAINS INFORMATION THAT IS PROPRIETARY TO MOLEX INCORPORATED AND SHOULD NOT BE USED WITHOUT WRITTEN PERMISSION			

9

8

7

6

5

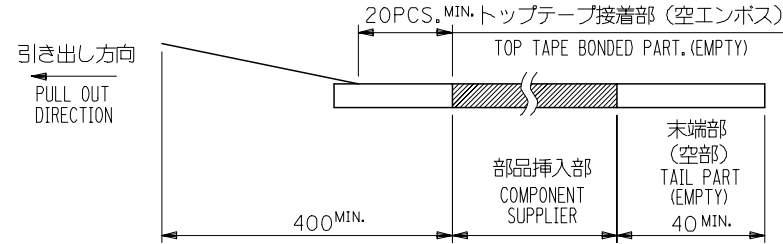
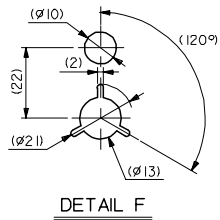
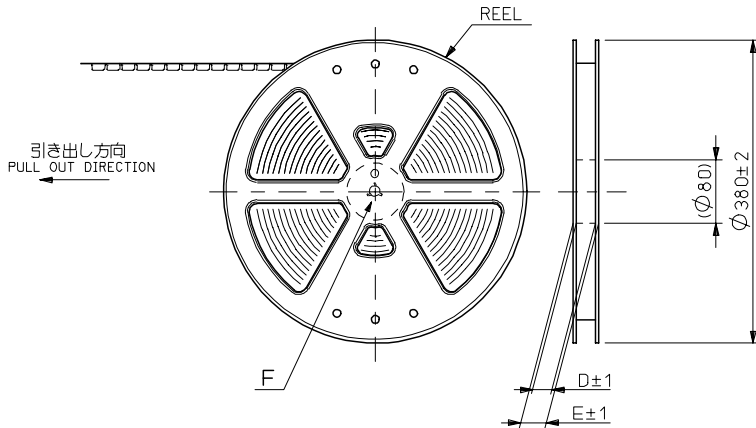
4

3

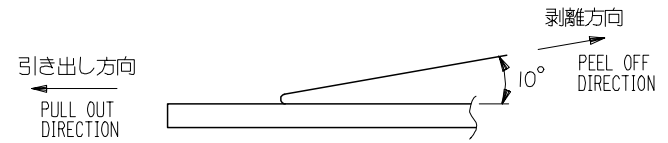
2

NOTES

- 製品詳細寸法については図面 SD-53916-001 を参照下さい。
RE DETAILED DIMENSION, SEE SD-53916-001
- 梱包数量：1500個/リール
NUMBER OF CONNECTORS：1500PCS/REEL
- リードテープ長さ LEAD TAPE LENGTH



- トップテープの剥離強度：0.1N~1.3N (10gf~130gf) (剥離方向は下図参照) 尚、本規格値は出荷時に適用。(但し、輸送時に剥離が発生しないこと。)
PEELING OFF FORCE OF TOP TAPE：0.1N~1.3N (10gf~130gf) (PEELING DIRECTION AS SHOWN IN FOLLOWING FIG.) THIS REQUIREMENT SHOULD BE APPLIED AT SHIPMENT. PEEL OFF SHOULD NOT BE ALLOWED, DURING TRANSPORTATION.



- 材料 (MATERIAL)
キャリアテープ (CARRIER TAPE)：ポリプロピレン (POLYPROPYLENE)
トップテープ (TOPTAPE)：PET, PE, PEF
リール (REEL)：ポリスチレン (PS) <リサイクル材を含む>
POLYSTYRENE (PS) <RECYCLE MATERIAL CONTAINED>

53916-***8 MODEL NO.

REVISED EC NO: J2006-0604 DRW:NAIDA 2005/08/31 CHK:KTOYODA 2005/09/01 APP:NUKITA 2005/09/09	GENERAL TOLERANCES (UNLESS SPECIFIED)		DIMENSION STYLE MM ONLY	SCALE ---	DESIGN UNITS METRIC	THIRD ANGLE PROJECTION
	10 UNDER	± 0.2	DRAWN BY S. AIHARA	DATE '96/11/27	TITLE 0.5 B/B CONN PLUG ASSY EMBSTP PKG -LEAD FREE-	
	10 OVER 30 UNDER	± 0.25	CHECKED BY T. ITO	DATE '01/01/26	MOLEX INCORPORATED	
	30 OVER	± 0.3	APPROVED BY M. FUKUSHIMA	DATE '01/01/26	DOCUMENT NO. SD-53916-002	SHEET NO. 1 OF 4
	ANGULAR	± 3 °	MATERIAL NO. SEE CHART			
G	DRAFT WHERE APPLICABLE MUST REMAIN WITHIN DIMENSIONS		SIZE A3	THIS DRAWING CONTAINS INFORMATION THAT IS PROPRIETARY TO MOLEX INCORPORATED AND SHOULD NOT BE USED WITHOUT WRITTEN PERMISSION		

10 9 8 7 6 5 4 3 2 1

F

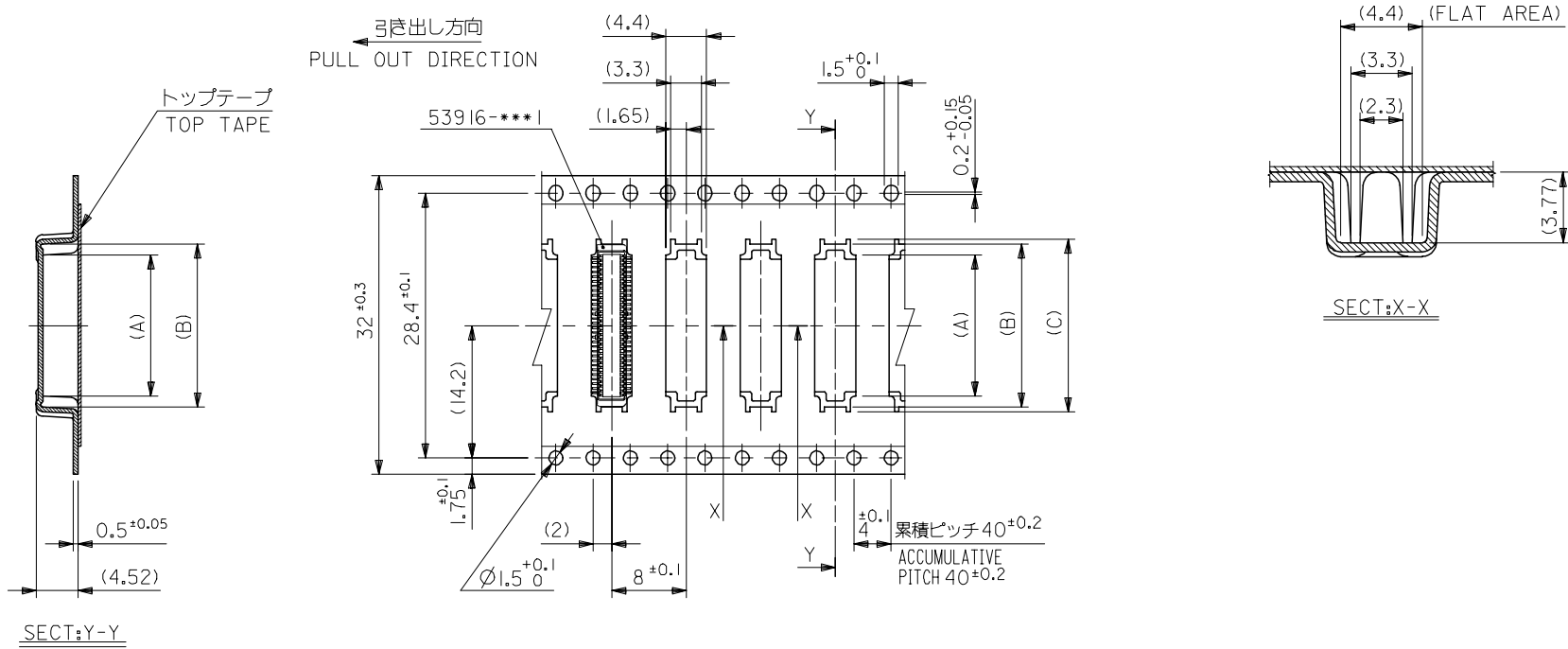
E

D

C

B

A



32mm幅キャリアテープ
32mm WIDTH CARRIER TAPE

REVISED	EC NO: J2006-0604	2005/08/31	DRWN:NAIDA	2005/09/01	CHKDK:TOYODA	2005/09/09	APPR:NUKITA	DESCRIPTION	53916-***8	MODEL NO.	32	37.4	33.4	18.5	17.5	15.17	53916-0608	60
G	GENERAL TOLERANCES (UNLESS SPECIFIED)								DIMENSION STYLE		SCALE		DESIGN UNITS		THIRD ANGLE PROJECTION			
10 UNDER		± ---		DRAWN BY		DATE		TITLE		---		METRIC						
10 OVER 30 UNDER		± ---		T. YASUI		'97/05/14		0.5 B/B CONN PLUG ASSY										
30 OVER		± ---		CHECKED BY		DATE		EMBSTP PKG										
ANGULAR		± --- °		T. ITO		'01/01/26		-LEAD FREE-										
DRAFT WHERE APPLICABLE MUST REMAIN WITHIN DIMENSIONS				APPROVED BY		DATE		MOLEX INCORPORATED										
				M. FUKUSHIMA		'01/01/26		MOLEX INCORPORATED										
				MATERIAL NO.		DOCUMENT NO.		SEE CHART										
				SIZE		3		THIS DRAWING CONTAINS INFORMATION THAT IS PROPRIETARY TO MOLEX INCORPORATED AND SHOULD NOT BE USED WITHOUT WRITTEN PERMISSION										

10 9 8 7 6 5 4 3 2 1

F

E

D

C

B

A

F

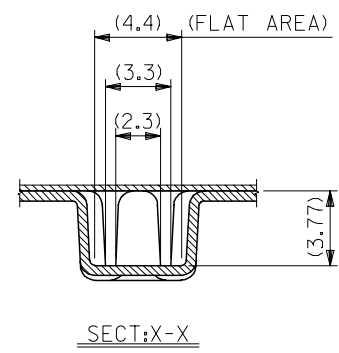
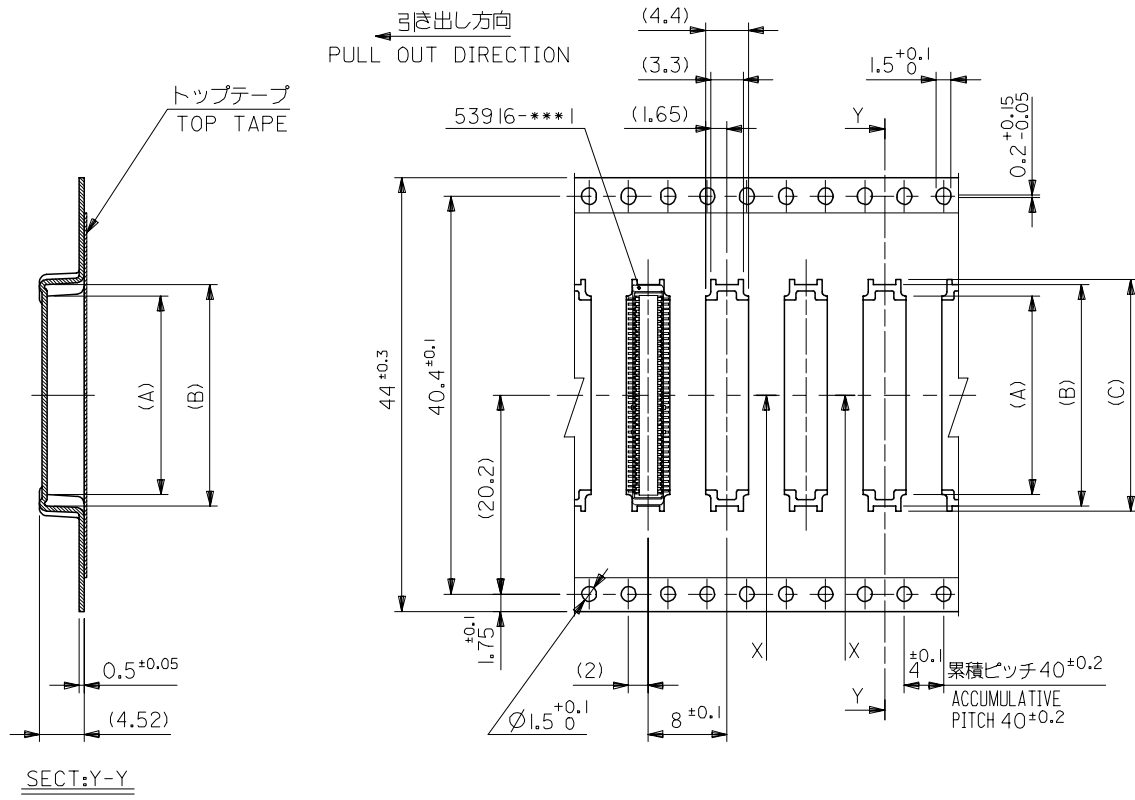
E

D

C

B

A



REVISED	EC NO: J2006-0604	2005/08/31	DRWN:NAIDA	2005/09/01	CHKD:KTOYODA	2005/09/01	APPR:NUKITA	2005/09/09	
DESCRIPTION		GENERAL TOLERANCES (UNLESS SPECIFIED)		DIMENSION STYLE		SCALE		DESIGN UNITS	
10 UNDER		± ---		MM ONLY		---		METRIC	
10 OVER 30 UNDER		± ---		DRAWN BY		DATE		TITLE	
30 OVER		± ---		S. AIHARA		'98/10/23		0.5 B/B CONN PLUG ASSY	
ANGULAR		± --- °		CHECKED BY		DATE		EMBSTP PKG	
DRAFT WHERE APPLICABLE MUST REMAIN WITHIN DIMENSIONS				T. ITO		'01/01/26		-LEAD FREE-	
				APPROVED BY		DATE		MOLEX INCORPORATED	
				M. FUKUSHIMA		'01/01/26		MOLEX	
				MATERIAL NO.		DOCUMENT NO.		SHEET NO.	
				SEE CHART		SD-53916-002		4 OF 4	
				SIZE		THIS DRAWING CONTAINS INFORMATION THAT IS PROPRIETARY TO MOLEX INCORPORATED AND SHOULD NOT BE USED WITHOUT WRITTEN PERMISSION			
				A3					