

# Product Brief

## MuBIC 2

### PEB 22522 V2.1

#### Multi Bit Rate Integrated Circuit



MDSL (Medium bit rate Digital Subscriber Line) covers the sub SDSL (Symmetric/Single Pair bit rate DSL) rates at a granularity of 8 kbit/s. The **MuBIC 2** is the 2nd generation of the Infineon MDSL product family which fills the gap between ISDN and SDSL.

#### Potential Applications

- N-channel DAML systems
- Fractional T1/E1 systems
- Broadband subscriber access for voice and data
- Line cards for central office and loop carriers
- Network terminators (NTs)
- DSLAMs
- ISDN H0 transport
- Remote LAN Access (Home office)
- Videoconferencing
- Access to cellular base stations
- RITL and WLL systems
- SDH and SONET termination
- Leased line services
- Frame Relay services
- PBX trunk lines

Using the TC-PAM coding scheme the **MuBIC 2** offers an excellent transmission performance in combination with a very low interference with other services like POTS, ISDN, HDSL, ADSL, ADSL Lite and VDSL in the same bundle. The exceptional low

#### Features

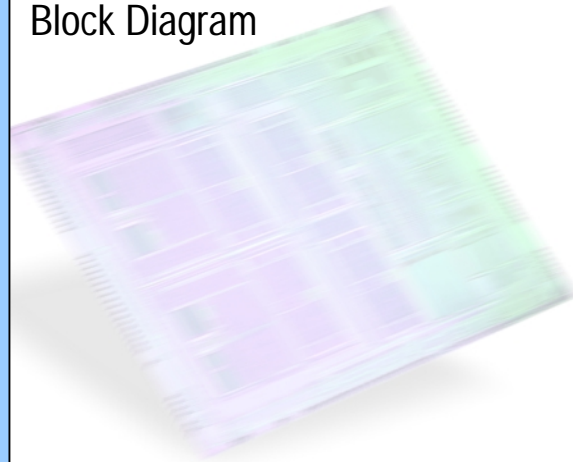
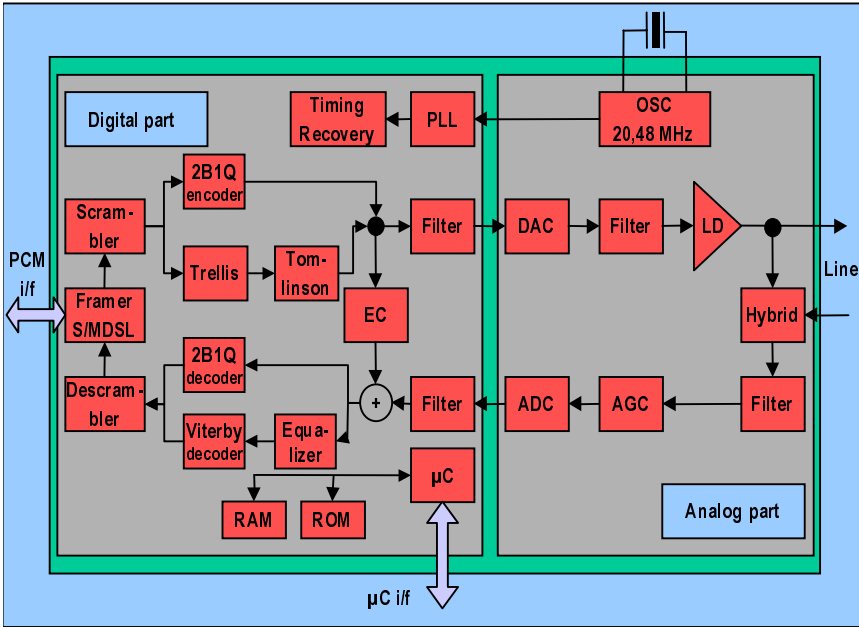
- Single chip MDSL transceiver
- Plastic TQFP-100 package
- Typical 450 mW power consumption at 1 Mbit/s
- TC-PAM linecode with 2,3 or 4 Bits/symbol
- Transmission of any bit rate between 512 kbit/s and 1040 kbit/s<sup>1)</sup>
- Same hardware for all bit rates
- Meets ETSI/ANSI HDSL and ISDN performance
- Embedded  $\mu$ C for easy start-up
- Universal 8-Bit  $\mu$ C interface
- Transparent transmission or built-in Framer

<sup>1)</sup> Bit rates below 512 kbit/s on request

power consumption of less than 500 mW at 1 Mbit/s meets manufacturers requirements for remote fed equipment e.g. for life line service. The tiny TQFP-100 package contains a lot of additional functionality like framer and microcontroller.

- Inputs and Outputs TTL level
- Software access to D-Bits
- Central office (COT) and remote (RT) operation (master/slave)
- Warmstart capability
- Power down mode
- 1.544 Mbit/s, 2 Mbit/s and 4 Mbit/s TDM interface
- Tolerates input jitter according to I.431 jitter transfer function
- Easy software download
- Diagnostic loop backs
- DECT base station synchronization and delay measurement
- 2B1Q mode
- Operation speed selectable by software only
- JTAG boundary scan

# MuBIC 2 Block Diagram



## Development and Support Tools

- Evaluation board

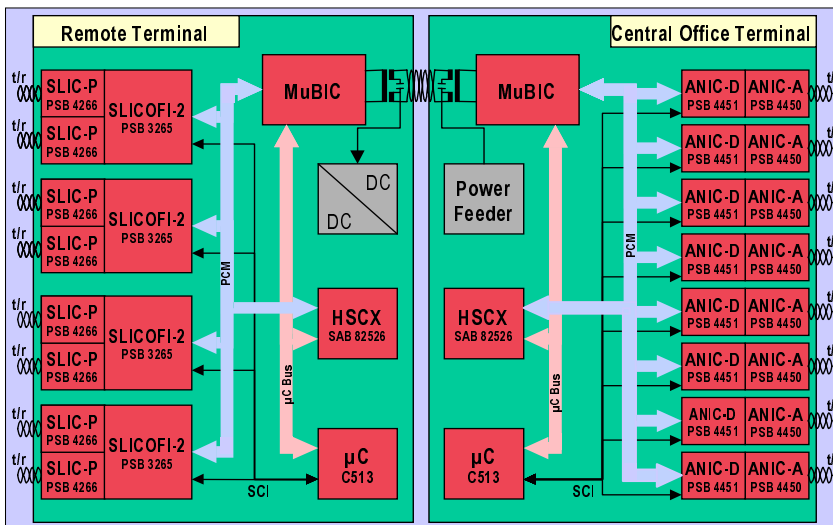
## Documentation

Type	Date of Issue/Version
PEB 22521/2 V2.1 Preliminary Data Sheet	10.99

## Ordering information

Type	Ordering Code	Package	Availability
PEB 22522F V2.1	Q67233-H1151	P-TQFP-100	ES

## Application Example DAML



- (A) Wien ☎ (+43) 1-1707-356 11
- (AUS) Richmond (Melbourne), Vic. 3121 ☎ (+61) 3-9420 71 11
- (B) Brussel/Bruelles ☎ (+32) 2-536 23 48
- (BR) São Paulo-SP ☎ (+55) 11-836 23 77/ 26 84
- (CDN) Mississauga, Ontario L5T 1P2 ☎ (+1) 905-819 80 00
- (CH) Zürich ☎ (+41) 1-495 30 65
- (D) Düsseldorf ☎ (+49) 211-399 15 51  
Laatzen (Hannover) ☎ (+49) 511-877 27 06  
München ☎ (+49) 89-9221 40 86  
Nürnberg ☎ (+49) 911-654 76 22  
Stuttgart ☎ (+49) 711-137 33 14
- (DK) Ballenup ☎ (+45) 4477-44 77
- (E) Tres Cantos-Madrid ☎ (+34) 91-514 80 00
- (F) Saint-Denis CEDEX 2 ☎ (+33) 1-4922 31 00
- (FIN) Espoo (Helsinki) ☎ (+35) 9-51 05 1
- (GB) Berkshire RG 12 8FZ ☎ (+44) 1344-39 60 00
- (GR) Amaroussio/Athen ☎ (+30) 1-68641 11
- (HK) Hong Kong ☎ (+852) 2832 05 00
- (I) Milano ☎ (+39) 02-6676-1
- (IND) New Delhi 110 014 ☎ (+91) 11-461 74 47
- (IRL) Dublin 4 ☎ (+353) 1-603 23 42
- (J) Tokyo 141-0022 ☎ (+81) 3-5449 64 11
- (N) Oslo 5 ☎ (+47) 22-63 30 00
- (NL) Den Haag ☎ (+31) 70-333 24 29
- (P) Amadora ☎ (+35) 1-417 00 11
- (PL) Warszawa ☎ (+48) 2-670 91 51
- (RC) Taipei ☎ (+886) 2-2773 66 06
- (ROK) Seoul 135-080 ☎ (+82) 2-527 77 00
- (RUS) Moskva ☎ (+7) 095 237-64 76, -69 11
- (S) Kista ☎ (+46) 8-703 35 00
- (SGP) Singapore 349 253 ☎ (+65) 840 06 10
- (TR) Findikli (Istanbul) ☎ (+90) 212-251 09 00
- (USA) Cupertino, CA 95014 ☎ (+1) 408-777 45 00
- (ZA) Halfway House 1685 ☎ (+27) 11-652-20 00, -27 00

How to reach us:  
<http://www.infineon.com>

© Infineon Technologies AG 1999.

All Rights Reserved.

Please note that any information contained in this publication may be subject to change. Infineon Technologies reserves the right to make changes to or to discontinue any product or service identified in this publication without notice.

Please contact our regional offices to receive the latest version of the relevant information to verify, before placing orders, that the information being relied upon is current.

All brand or product names, hardware or software names are trademarks of their respective companies or organizations.

Published by

Infineon Technologies AG

Ordering No. B115-H7325-X-X-7600  
Printed in Germany  
PS 10985.