

# BFR92A

NPN 5 GHz wideband transistor

Rev. 04 — 2 March 2009

Product data sheet

## IMPORTANT NOTICE

Dear customer,

As from October 1st, 2006 Philips Semiconductors has a new trade name - NXP Semiconductors, which will be used in future data sheets together with new contact details.

In data sheets where the previous Philips references remain, please use the new links as shown below.

<http://www.philips.semiconductors.com> use <http://www.nxp.com>

<http://www.semiconductors.philips.com> use <http://www.nxp.com> (Internet)

[sales.addresses@www.semiconductors.philips.com](mailto:sales.addresses@www.semiconductors.philips.com) use [salesaddresses@nxp.com](mailto:salesaddresses@nxp.com) (email)

The copyright notice at the bottom of each page (or elsewhere in the document, depending on the version)

- © Koninklijke Philips Electronics N.V. (year). All rights reserved -

is replaced with:

- © NXP B.V. (year). All rights reserved. -

If you have any questions related to the data sheet, please contact our nearest sales office via e-mail or phone (details via [salesaddresses@nxp.com](mailto:salesaddresses@nxp.com)). Thank you for your cooperation and understanding,

NXP Semiconductors

# NPN 5 GHz wideband transistor

# BFR92A

### FEATURES

- High power gain
- Low noise figure
- Low intermodulation distortion.

### APPLICATIONS

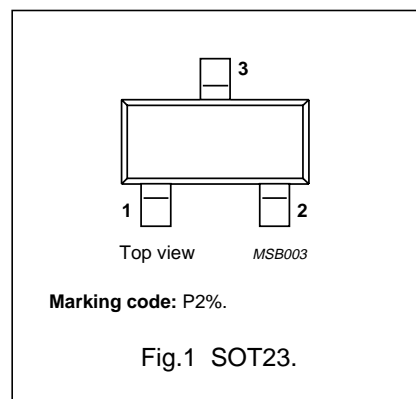
- RF wideband amplifiers and oscillators.

### DESCRIPTION

NPN wideband transistor in a plastic SOT23 package.  
PNP complement: BFT92.

### PINNING

PIN	DESCRIPTION
1	base
2	emitter
3	collector



### QUICK REFERENCE DATA

SYMBOL	PARAMETER	CONDITIONS	TYP.	MAX.	UNIT
$V_{CBO}$	collector-base voltage		–	20	V
$V_{CEO}$	collector-emitter voltage		–	15	V
$I_C$	collector current (DC)		–	25	mA
$P_{tot}$	total power dissipation	$T_s \leq 95\text{ }^\circ\text{C}$	–	300	mW
$C_{re}$	feedback capacitance	$I_C = i_c = 0$ ; $V_{CE} = 10\text{ V}$ ; $f = 1\text{ MHz}$	0.35	–	pF
$f_T$	transition frequency	$I_C = 15\text{ mA}$ ; $V_{CE} = 10\text{ V}$ ; $f = 500\text{ MHz}$	5	–	GHz
$G_{UM}$	maximum unilateral power gain	$I_C = 15\text{ mA}$ ; $V_{CE} = 10\text{ V}$ ; $f = 1\text{ GHz}$ ; $T_{amb} = 25\text{ }^\circ\text{C}$	14	–	dB
		$I_C = 15\text{ mA}$ ; $V_{CE} = 10\text{ V}$ ; $f = 2\text{ GHz}$ ; $T_{amb} = 25\text{ }^\circ\text{C}$	8	–	dB
F	noise figure	$I_C = 5\text{ mA}$ ; $V_{CE} = 10\text{ V}$ ; $f = 1\text{ GHz}$ ; $\Gamma_s = \Gamma_{opt}$ ; $T_{amb} = 25\text{ }^\circ\text{C}$	2.1	–	dB
$V_O$	output voltage	$d_{im} = -60\text{ dB}$ ; $I_C = 14\text{ mA}$ ; $V_{CE} = 10\text{ V}$ ; $R_L = 75\text{ }\Omega$ ; $f_p + f_q - f_r = 793.25\text{ MHz}$	150	–	mV

### LIMITING VALUES

In accordance with the Absolute Maximum Rating System (IEC 134).

SYMBOL	PARAMETER	CONDITIONS	MIN.	MAX.	UNIT
$V_{CBO}$	collector-base voltage	open emitter	–	20	V
$V_{CEO}$	collector-emitter voltage	open base	–	15	V
$V_{EBO}$	emitter-base voltage	open collector	–	2	V
$I_C$	collector current (DC)		–	25	mA
$P_{tot}$	total power dissipation	$T_s \leq 95\text{ }^\circ\text{C}$ ; note 1; see Fig.3	–	300	mW
$T_{stg}$	storage temperature		-65	+150	$^\circ\text{C}$
$T_j$	junction temperature		–	175	$^\circ\text{C}$

### Note

1.  $T_s$  is the temperature at the soldering point of the collector pin.

## NPN 5 GHz wideband transistor

## BFR92A

## THERMAL CHARACTERISTICS

SYMBOL	PARAMETER	CONDITIONS	VALUE	UNIT
$R_{th\ j-s}$	thermal resistance from junction to soldering point	$T_s \leq 95\text{ °C}$ ; note 1	260	K/W

## Note

- $T_s$  is the temperature at the soldering point of the collector pin.

## CHARACTERISTICS

$T_j = 25\text{ °C}$  unless otherwise specified.

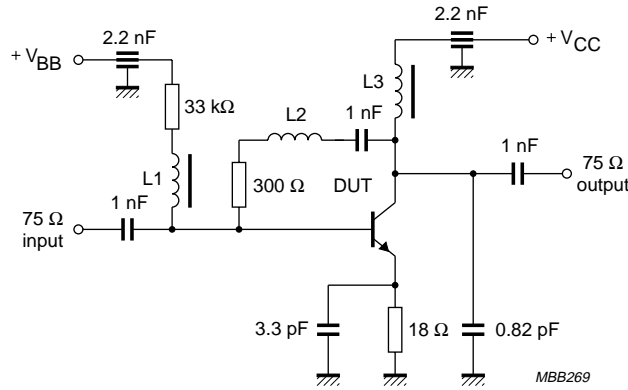
SYMBOL	PARAMETER	CONDITIONS	MIN.	TYP.	MAX.	UNIT
$I_{CBO}$	collector leakage current	$I_E = 0$ ; $V_{CB} = 10\text{ V}$	–	–	50	nA
$h_{FE}$	DC current gain	$I_C = 15\text{ mA}$ ; $V_{CE} = 10\text{ V}$ ; see Fig.4	65	90	135	
$C_c$	collector capacitance	$I_E = i_e = 0$ ; $V_{CB} = 10\text{ V}$ ; $f = 1\text{ MHz}$ ; see Fig.5	–	0.6	–	pF
$C_e$	emitter capacitance	$I_C = i_c = 0$ ; $V_{EB} = 10\text{ V}$ ; $f = 1\text{ MHz}$	–	1.2	–	pF
$C_{re}$	feedback capacitance	$I_C = i_c = 0$ ; $V_{CE} = 10\text{ V}$ ; $f = 1\text{ MHz}$	–	0.35	–	pF
$f_T$	transition frequency	$I_C = 15\text{ mA}$ ; $V_{CE} = 10\text{ V}$ ; $f = 500\text{ MHz}$ ; see Fig.6	–	5	–	GHz
$G_{UM}$	maximum unilateral power gain (note 1)	$I_C = 15\text{ mA}$ ; $V_{CE} = 10\text{ V}$ ; $f = 1\text{ GHz}$ ; $T_{amb} = 25\text{ °C}$	–	14	–	dB
		$I_C = 15\text{ mA}$ ; $V_{CE} = 10\text{ V}$ ; $f = 2\text{ GHz}$ ; $T_{amb} = 25\text{ °C}$	–	8	–	dB
F	noise figure	$I_C = 5\text{ mA}$ ; $V_{CE} = 10\text{ V}$ ; $f = 1\text{ GHz}$ ; $\Gamma_s = \Gamma_{opt}$ ; $T_{amb} = 25\text{ °C}$ ; see Figs 13 and 14	–	2.1	–	dB
		$I_C = 5\text{ mA}$ ; $V_{CE} = 10\text{ V}$ ; $f = 2\text{ GHz}$ ; $\Gamma_s = \Gamma_{opt}$ ; $T_{amb} = 25\text{ °C}$ ; see Figs 13 and 14	–	3	–	dB
$V_O$	output voltage	notes 2 and 3	–	150	–	mV
$d_2$	second order intermodulation distortion	notes 2 and 4; see Fig.16	–	–50	–	dB

## Notes

- $G_{UM}$  is the maximum unilateral power gain, assuming  $S_{12}$  is zero and  $G_{UM} = 10 \log \left( \frac{|S_{21}|^2}{(1 - |S_{11}|^2)(1 - |S_{22}|^2)} \right)$  dB.
- Measured on the same die in a SOT37 package (BFR90A).
- $d_{im} = -60\text{ dB}$  (DIN 45004B);  $I_C = 14\text{ mA}$ ;  $V_{CE} = 10\text{ V}$ ;  $R_L = 75\ \Omega$ ;  $V_{SWR} < 2$ ;  $T_{amb} = 25\text{ °C}$   
 $V_p = V_O$  at  $d_{im} = -60\text{ dB}$ ;  $f_p = 795.25\text{ MHz}$ ;  
 $V_q = V_O - 6\text{ dB}$ ;  $f_q = 803.25\text{ MHz}$ ;  
 $V_r = V_O - 6\text{ dB}$ ;  $f_r = 805.25\text{ MHz}$ ;  
measured at  $f_p + f_q - f_r = 793.25\text{ MHz}$ .
- $I_C = 14\text{ mA}$ ;  $V_{CE} = 10\text{ V}$ ;  $R_L = 75\ \Omega$ ;  $V_{SWR} < 2$ ;  $T_{amb} = 25\text{ °C}$   
 $V_p = 60\text{ mV}$  at  $f_p = 250\text{ MHz}$ ;  
 $V_q = 60\text{ mV}$  at  $f_q = 560\text{ MHz}$ ;  
measured at  $f_p + f_q = 810\text{ MHz}$ .

NPN 5 GHz wideband transistor

BFR92A



L1 = L3 = 5 μH choke.  
 L2 = 3 turns 0.4 mm copper wire, internal diameter 3 mm, winding pitch 1 mm.

Fig.2 Intermodulation distortion and second harmonic distortion MATV test circuit.

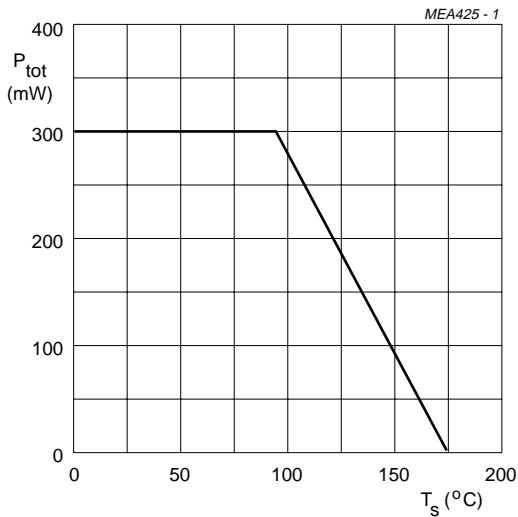
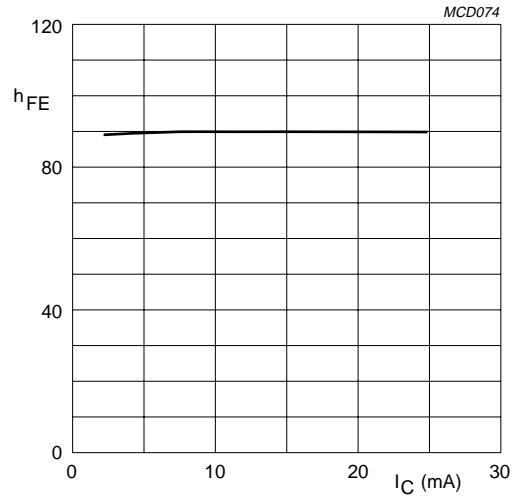


Fig.3 Power derating curve.

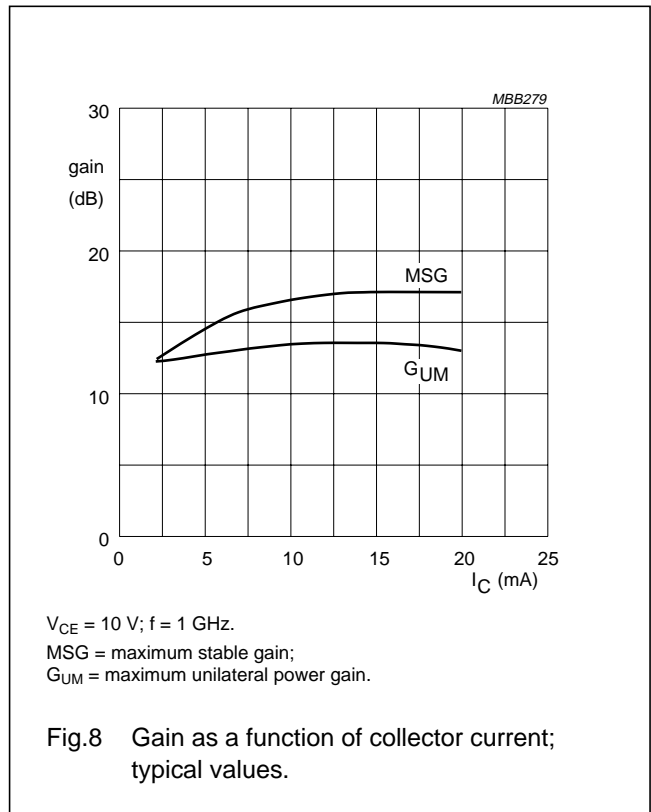
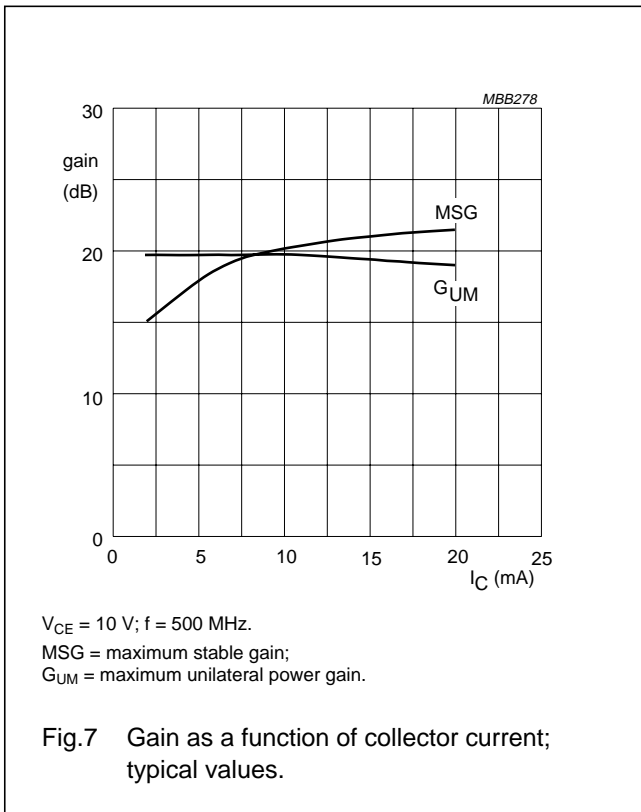
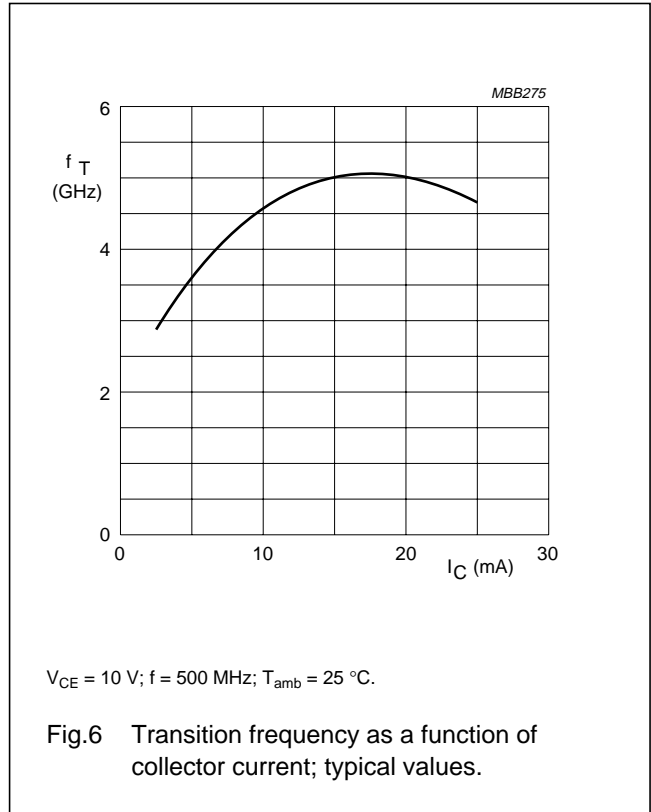
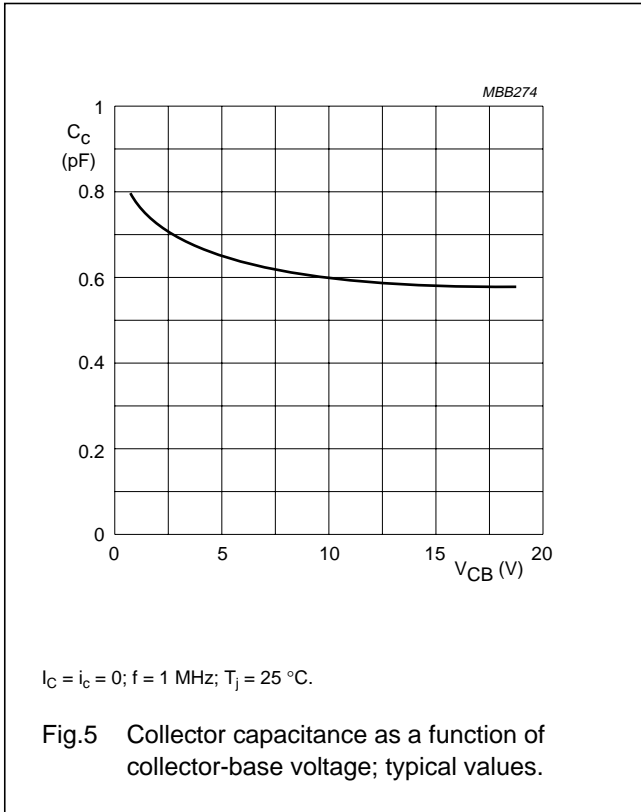


V<sub>CE</sub> = 10 V; T<sub>J</sub> = 25 °C.

Fig.4 DC current gain as a function of collector current; typical values.

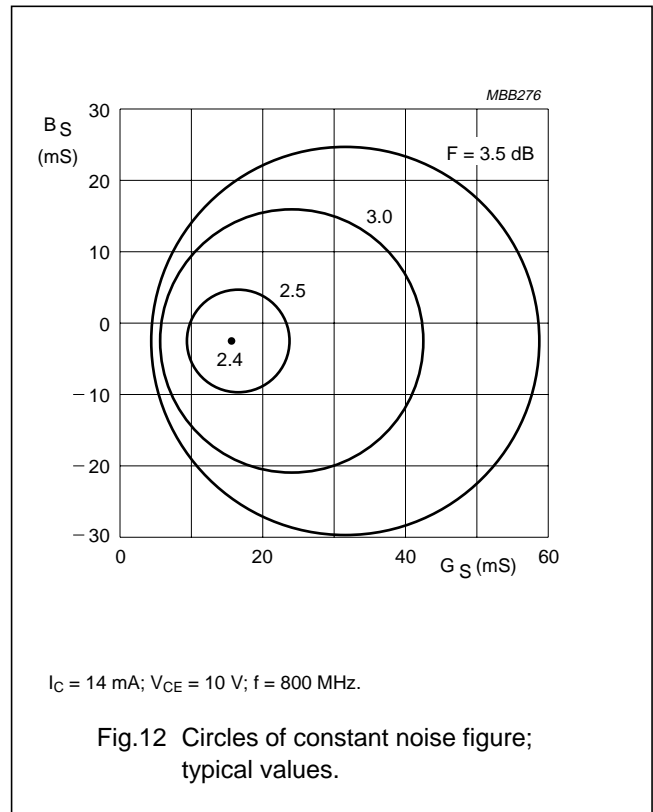
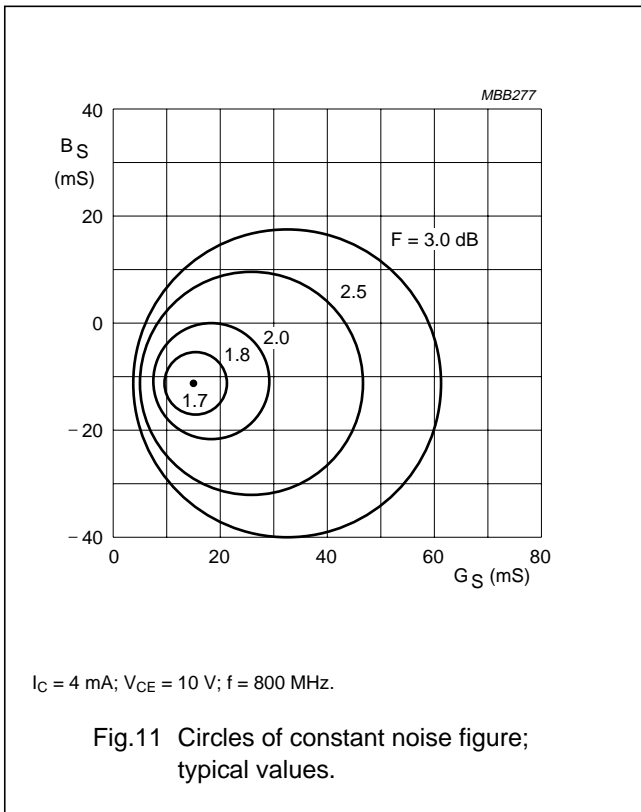
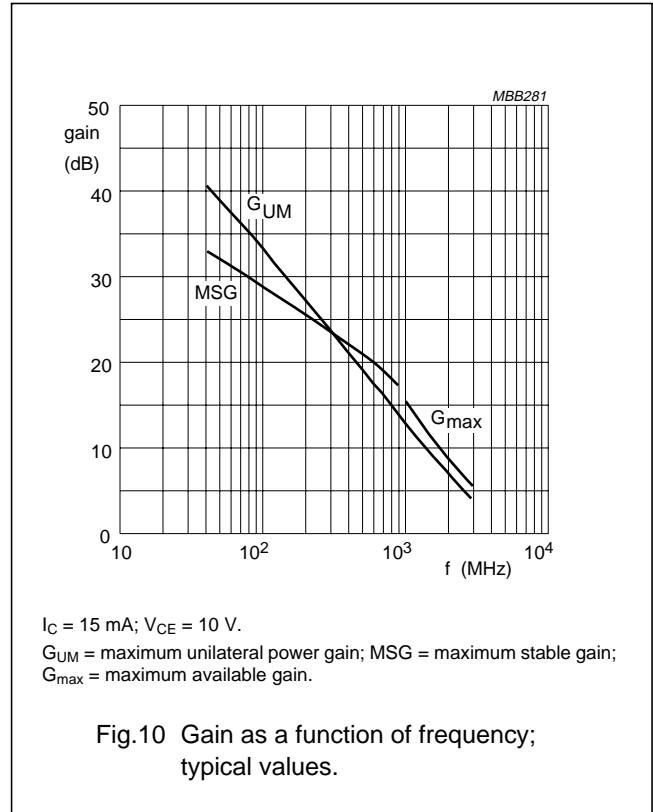
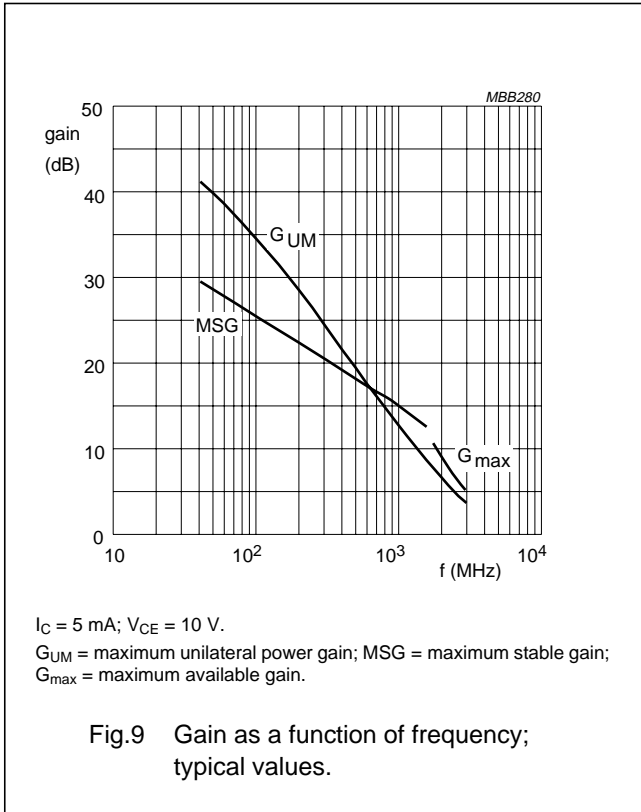
NPN 5 GHz wideband transistor

BFR92A



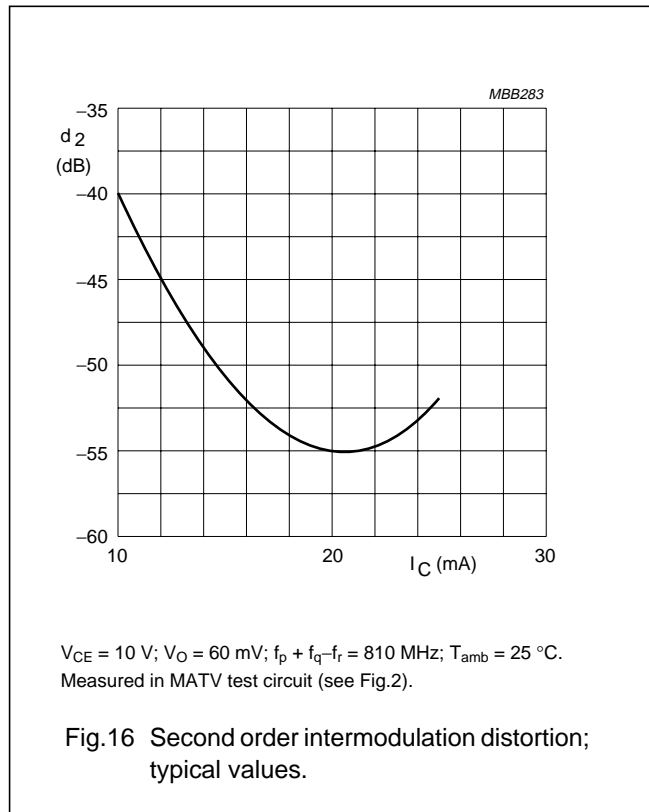
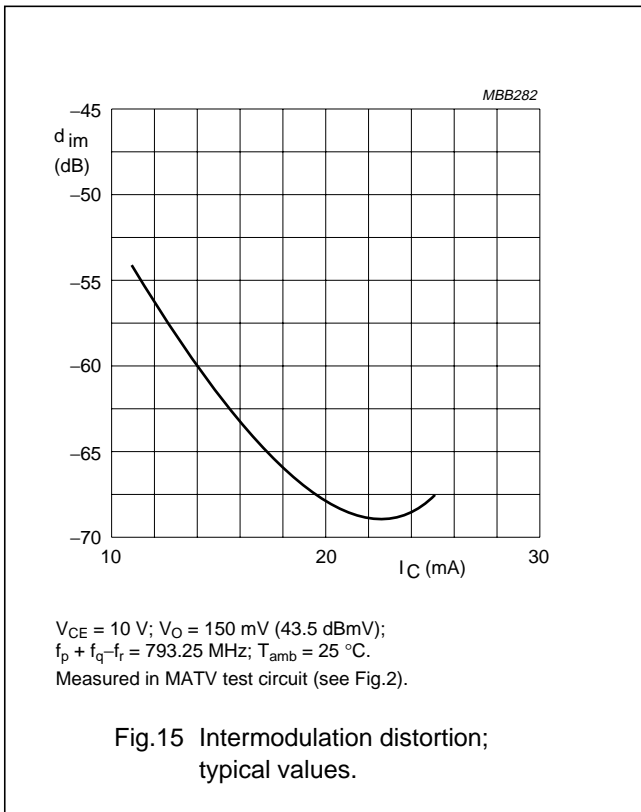
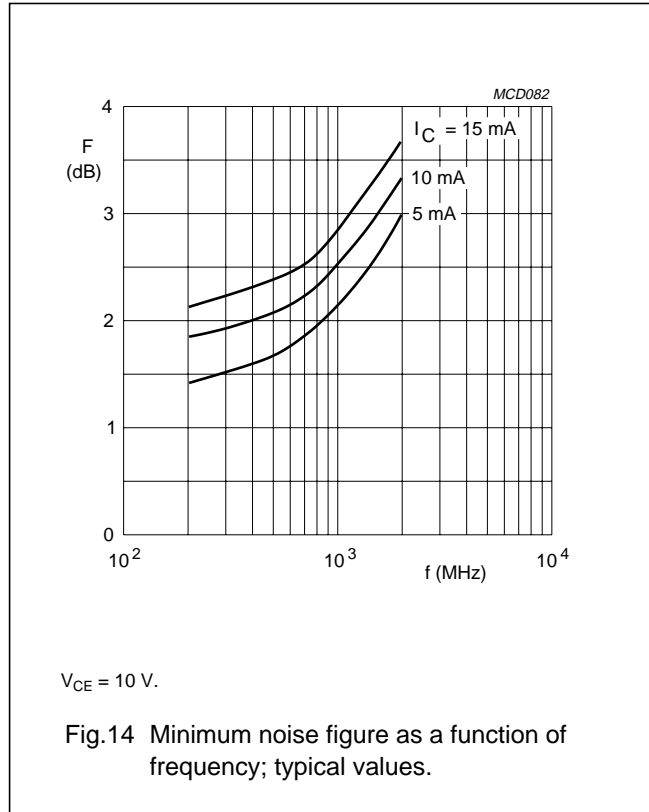
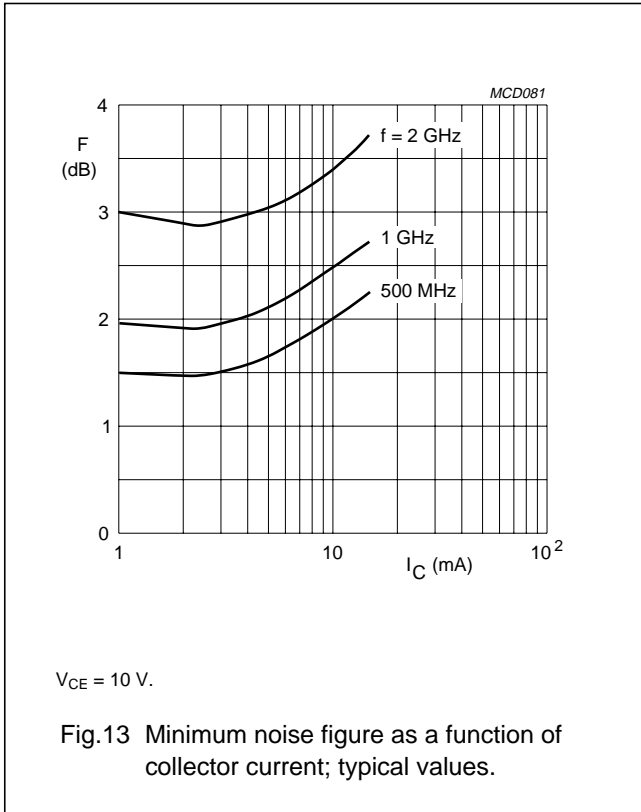
NPN 5 GHz wideband transistor

BFR92A



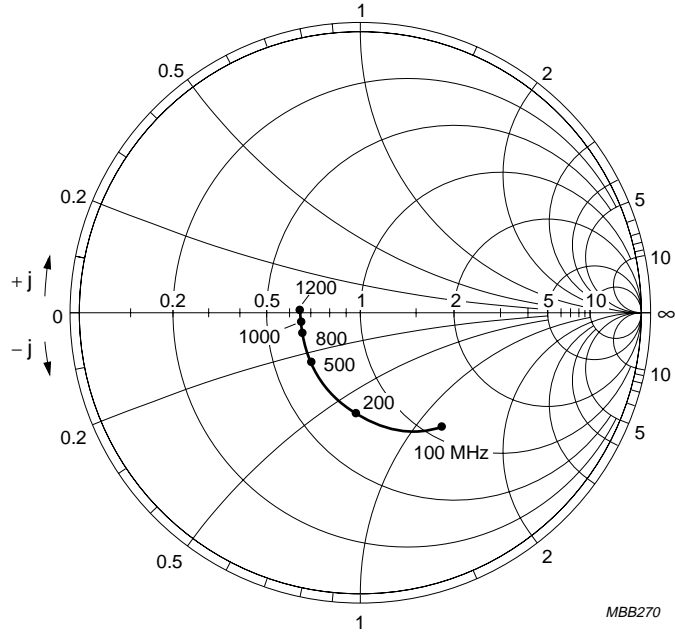
NPN 5 GHz wideband transistor

BFR92A



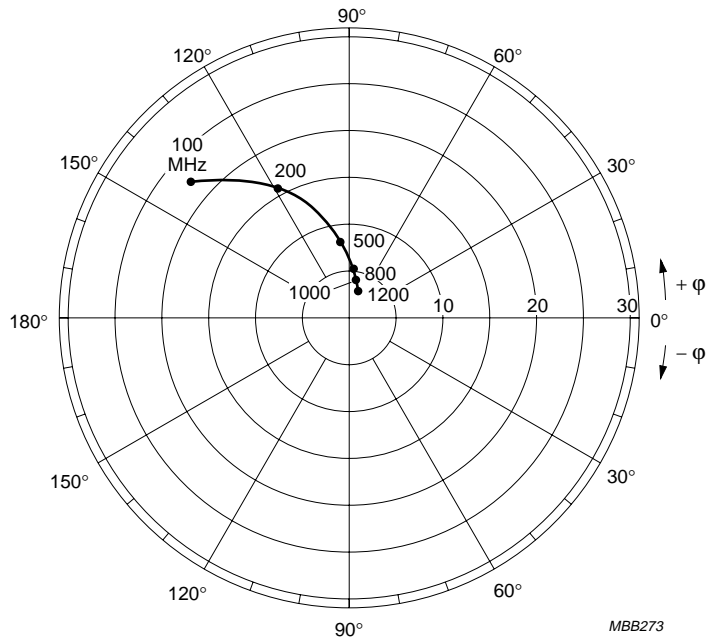
NPN 5 GHz wideband transistor

BFR92A



$I_C = 14 \text{ mA}$ ;  $V_{CE} = 10 \text{ V}$ ;  $Z_o = 50 \Omega$ ;  $T_{amb} = 25 \text{ }^\circ\text{C}$ .

Fig.17 Common emitter input reflection coefficient ( $S_{11}$ ); typical values.



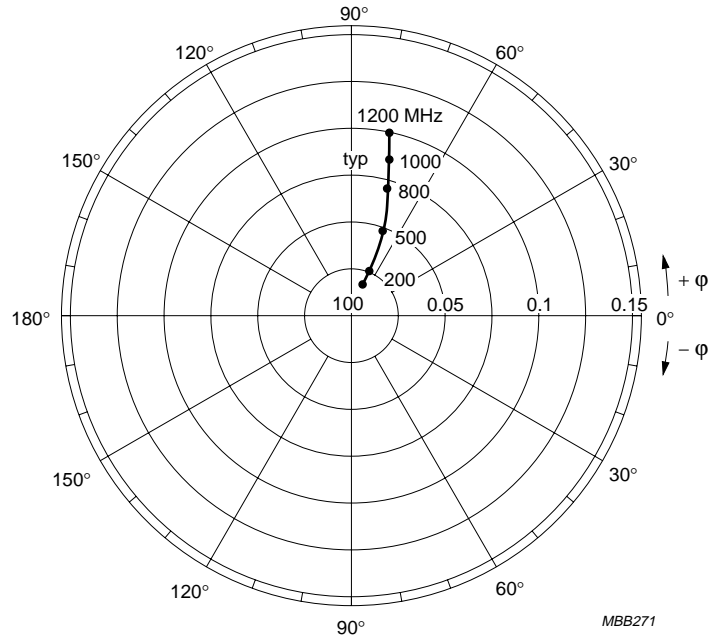
$I_C = 14 \text{ mA}$ ;  $V_{CE} = 10 \text{ V}$ ;  $T_{amb} = 25 \text{ }^\circ\text{C}$ .

Fig.18 Common emitter forward transmission coefficient ( $S_{21}$ ); typical values.



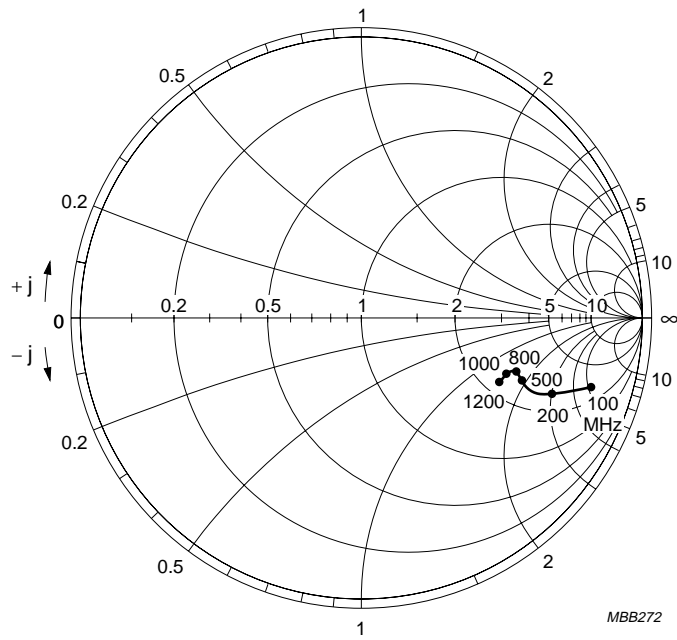
NPN 5 GHz wideband transistor

BFR92A



$I_C = 14 \text{ mA}$ ;  $V_{CE} = 10 \text{ V}$ ;  $T_{amb} = 25 \text{ }^\circ\text{C}$ .

Fig.19 Common emitter reverse transmission coefficient ( $S_{12}$ ); typical values.



$I_C = 14 \text{ mA}$ ;  $V_{CE} = 10 \text{ V}$ ;  $Z_o = 50 \text{ } \Omega$ ;  $T_{amb} = 25 \text{ }^\circ\text{C}$ .

Fig.20 Common emitter output reflection coefficient ( $S_{22}$ ); typical values.

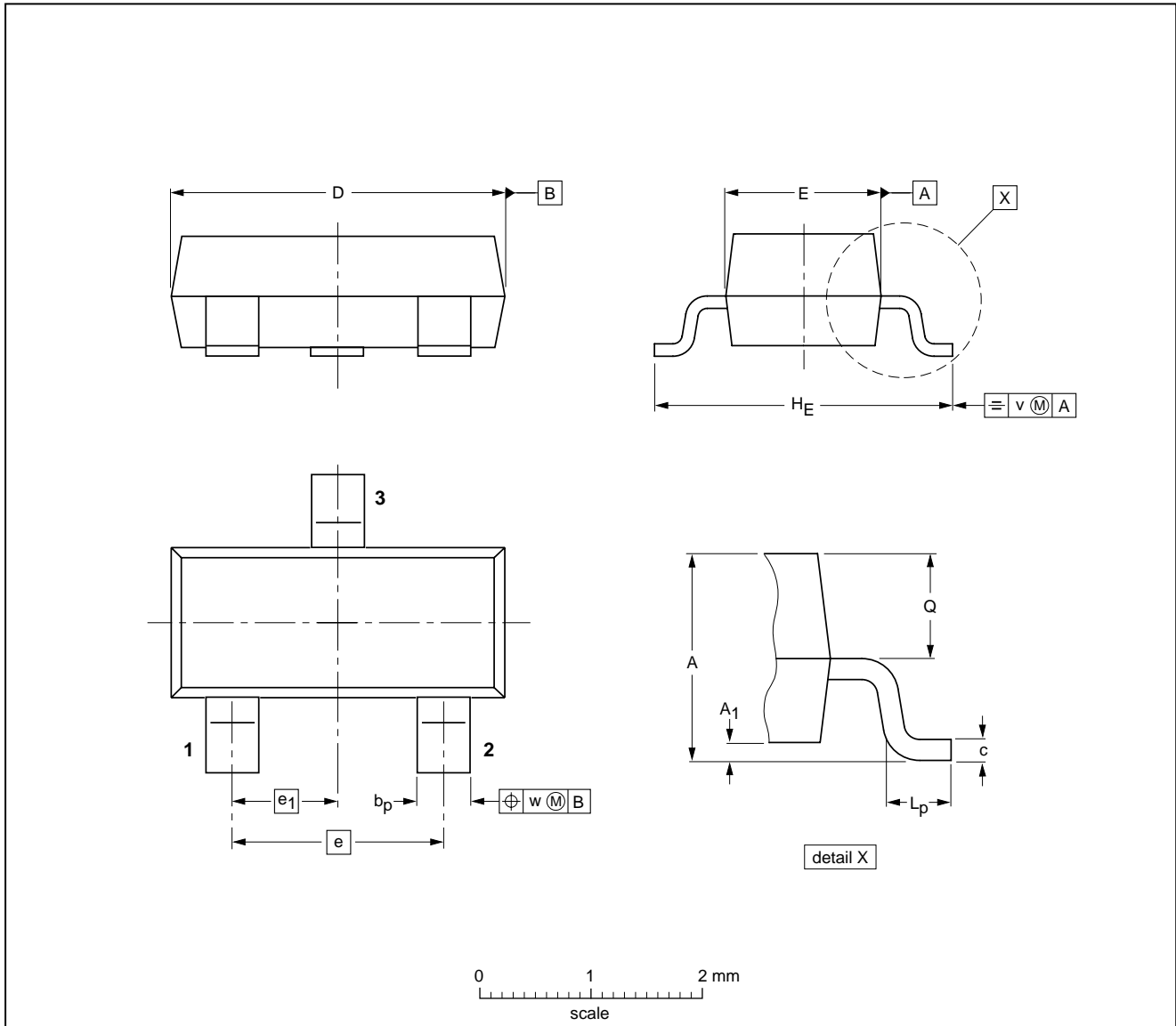
NPN 5 GHz wideband transistor

BFR92A

PACKAGE OUTLINE

Plastic surface mounted package; 3 leads

SOT23



DIMENSIONS (mm are the original dimensions)

UNIT	A	A <sub>1</sub> max.	b <sub>p</sub>	c	D	E	e	e <sub>1</sub>	H <sub>E</sub>	L <sub>p</sub>	Q	v	w
mm	1.1 0.9	0.1	0.48 0.38	0.15 0.09	3.0 2.8	1.4 1.2	1.9	0.95	2.5 2.1	0.45 0.15	0.55 0.45	0.2	0.1

OUTLINE VERSION	REFERENCES				EUROPEAN PROJECTION	ISSUE DATE
	IEC	JEDEC	EIAJ			
SOT23						97-02-28

## Legal information

### Data sheet status

Document status <sup>[1][2]</sup>	Product status <sup>[3]</sup>	Definition
Objective [short] data sheet	Development	This document contains data from the objective specification for product development.
Preliminary [short] data sheet	Qualification	This document contains data from the preliminary specification.
Product [short] data sheet	Production	This document contains the product specification.

[1] Please consult the most recently issued document before initiating or completing a design.

[2] The term 'short data sheet' is explained in section "Definitions".

[3] The product status of device(s) described in this document may have changed since this document was published and may differ in case of multiple devices. The latest product status information is available on the Internet at URL <http://www.nxp.com>.

### Definitions

**Draft** — The document is a draft version only. The content is still under internal review and subject to formal approval, which may result in modifications or additions. NXP Semiconductors does not give any representations or warranties as to the accuracy or completeness of information included herein and shall have no liability for the consequences of use of such information.

**Short data sheet** — A short data sheet is an extract from a full data sheet with the same product type number(s) and title. A short data sheet is intended for quick reference only and should not be relied upon to contain detailed and full information. For detailed and full information see the relevant full data sheet, which is available on request via the local NXP Semiconductors sales office. In case of any inconsistency or conflict with the short data sheet, the full data sheet shall prevail.

### Disclaimers

**General** — Information in this document is believed to be accurate and reliable. However, NXP Semiconductors does not give any representations or warranties, expressed or implied, as to the accuracy or completeness of such information and shall have no liability for the consequences of use of such information.

**Right to make changes** — NXP Semiconductors reserves the right to make changes to information published in this document, including without limitation specifications and product descriptions, at any time and without notice. This document supersedes and replaces all information supplied prior to the publication hereof.

**Suitability for use** — NXP Semiconductors products are not designed, authorized or warranted to be suitable for use in medical, military, aircraft, space or life support equipment, nor in applications where failure or malfunction of an NXP Semiconductors product can reasonably be expected to result in personal injury, death or severe property or environmental

damage. NXP Semiconductors accepts no liability for inclusion and/or use of NXP Semiconductors products in such equipment or applications and therefore such inclusion and/or use is at the customer's own risk.

**Applications** — Applications that are described herein for any of these products are for illustrative purposes only. NXP Semiconductors makes no representation or warranty that such applications will be suitable for the specified use without further testing or modification.

**Limiting values** — Stress above one or more limiting values (as defined in the Absolute Maximum Ratings System of IEC 60134) may cause permanent damage to the device. Limiting values are stress ratings only and operation of the device at these or any other conditions above those given in the Characteristics sections of this document is not implied. Exposure to limiting values for extended periods may affect device reliability.

**Terms and conditions of sale** — NXP Semiconductors products are sold subject to the general terms and conditions of commercial sale, as published at <http://www.nxp.com/profile/terms>, including those pertaining to warranty, intellectual property rights infringement and limitation of liability, unless explicitly otherwise agreed to in writing by NXP Semiconductors. In case of any inconsistency or conflict between information in this document and such terms and conditions, the latter will prevail.

**No offer to sell or license** — Nothing in this document may be interpreted or construed as an offer to sell products that is open for acceptance or the grant, conveyance or implication of any license under any copyrights, patents or other industrial or intellectual property rights.

**Quick reference data** — The Quick reference data is an extract of the product data given in the Limiting values and Characteristics sections of this document, and as such is not complete, exhaustive or legally binding.

### Trademarks

Notice: All referenced brands, product names, service names and trademarks are the property of their respective owners.

## Contact information

For more information, please visit: <http://www.nxp.com>

For sales office addresses, please send an email to: [salesaddresses@nxp.com](mailto:salesaddresses@nxp.com)

## Revision history

### Revision history

Document ID	Release date	Data sheet status	Change notice	Supersedes
BFR92A_N_4	20090302	Product data sheet	-	BFR92A_N_3
Modifications:	• Fig.1 on page 2; Figure note changed			
BFR92A_N_3	20080307	Product data sheet	-	BFR92A_2
BFR92A_2 (9397 750 02766)	19971029	Product specification	-	BFR92A_1
BFR92A_1	19950901	-	-	-

Please be aware that important notices concerning this document and the product(s) described herein, have been included in section 'Legal information'.

founded by

**PHILIPS**

© NXP B.V. 2009.

All rights reserved.

For more information, please visit: <http://www.nxp.com>

For sales office addresses, please send an email to: [salesaddresses@nxp.com](mailto:salesaddresses@nxp.com)

Date of release: 2 March 2009

Document identifier: BFR92A\_N\_4