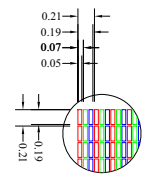
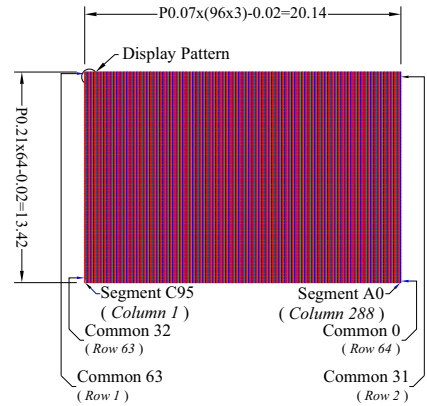
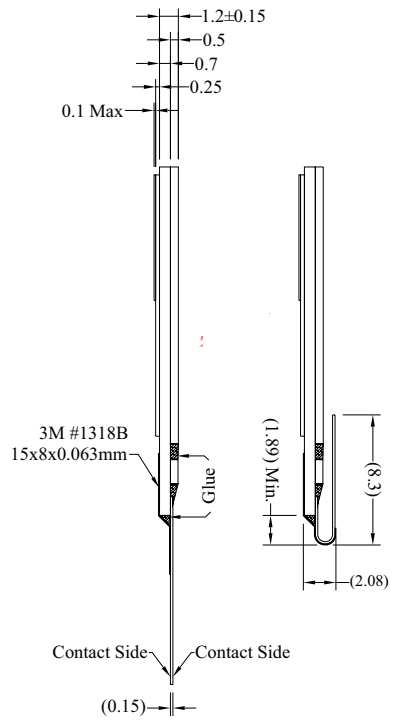
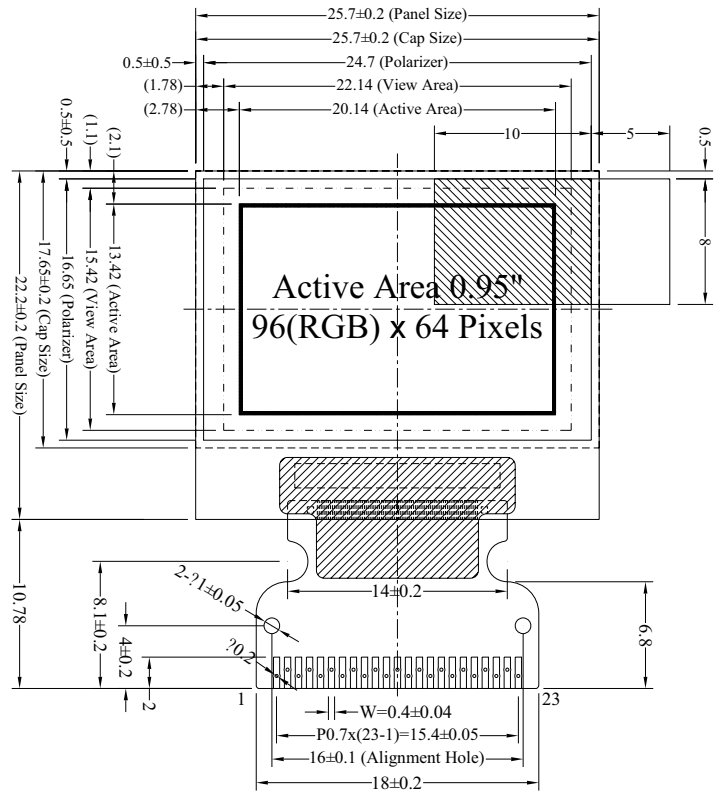




Item	Date	Remark
A	20080302	Original drawing



Display Pattern Scale (5:1)

Pin	Symbol
1	NC
2	VSS
3	VDD
4	VDDIO
5	BS1
6	BS2
7	IREF
8	CS#
9	RES#
10	D/C#
11	R/W#
12	E
13	D0
14	D1
15	D2
16	D3
17	D4
18	D5
19	D6
20	D7
21	VCOMH
22	VCC
23	N.C.

Notes:

1. Driver IC: SSD1331Z
2. Die Size: 13067um x 1547um
3. FPC Number: UT-0231-P01
4. Interface:  
8-bit 68XX/80XX Parallel, 4-wire SPI
5. The film terminal use "Au Plating"
6. General Tolerance: ±0.30
7. The total thickness (1.35 Max) is without Polarizer & Remove Tape.  
The actual assembled total thickness with above materials should be 1.70 Max.

Unless Otherwise Specified		MULTI-INNO TECHNOLOGY CO.,LTD.				Module Number	Rev.
Unit	mm					MI9664EO	1.0
General Roughness	$\sqrt{Ra}$						
Tolerance		Drawn	Checked	Reviewed	PM		
Dimension	±0.3	By				Scale	Sheet
Angle	±1	Date	20080202	20080205	20080228	20080302	1 of 1
						Size	A3