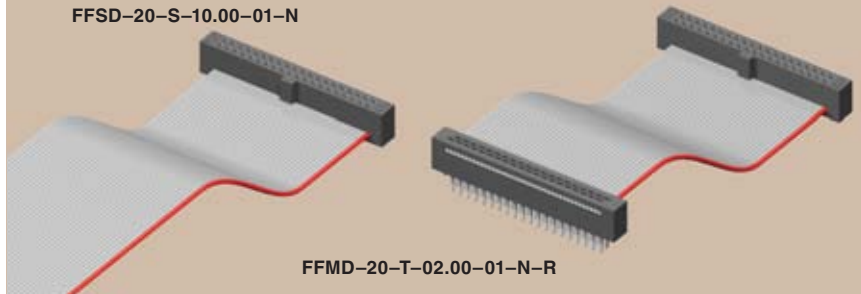




(1,27mm) .050"

FFSD, FFMD SERIES

FFSD-20-S-10.00-01-N



FFMD-20-T-02.00-01-N-R

# TIGER EYE™ FLAT IDC WIRE CABLES

## SPECIFICATIONS

**Mates with:**

FTS, FTSH, EHF, SHF, ESHF

For complete specifications see [www.samtec.com?FFSD](http://www.samtec.com?FFSD)

**FFSD**

**Insulator Material:** PBT



**Contact:**

BeCu

**Plating:**

10µ" (0,25µm) Au over 50µ" (1,27µm) Ni on contact area; Sn over 50µ" (1,27µm) Ni on balance

**Wire:** 30 AWG

**Current Rating:** 0.5A

**Operating Temp Range:** -40°C to +105°C

**Lead Size Accepted:** (0,41mm) .016" SQ

**Contact Resistance:** 15 mΩ maximum delta from initial

**Insertion Depth:** (2,64mm) .104" to (3,17mm) .125"

**Insertion Force:** (Single contact only)

5oz (1,39N) avg.

**Withdrawal Force:** (Single contact only)

3oz (0,83N) avg.

**RoHS Compliant:** Yes

**Note:** This Series is non-standard, non-returnable.

## SPECIFICATIONS

**Mates with:**

FLE\*, SFMC\*,

**Transfer End Option**

Mates with: FTS, FTSH, EHF, SHF, ESHF

For complete specifications see [www.samtec.com?FFMD](http://www.samtec.com?FFMD)

**FFMD**

**Insulator Material:** Black Glass Filled Polyester



**Terminal:** BeCu

**Plating:**

Sn over 50µ" (1,27µm) Ni

**Wire:** 30 AWG

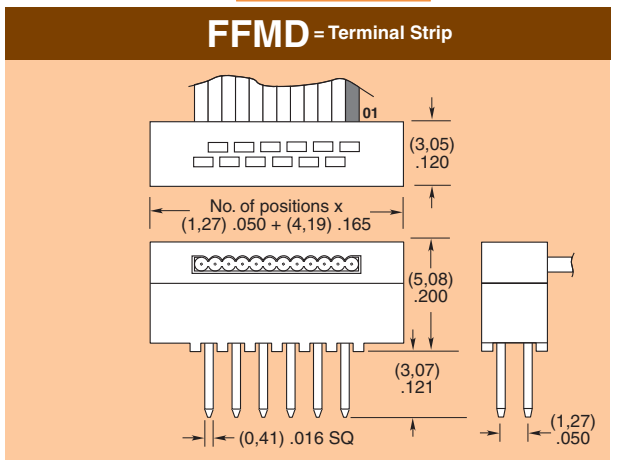
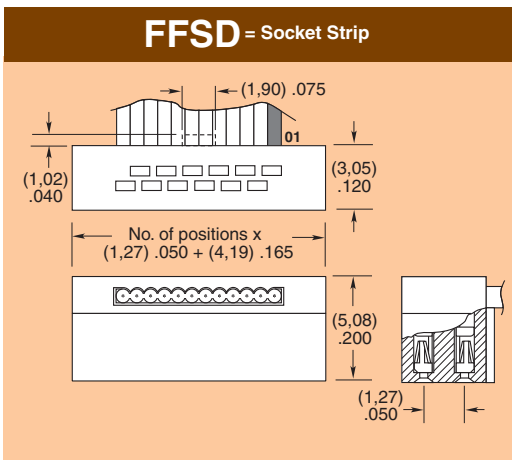
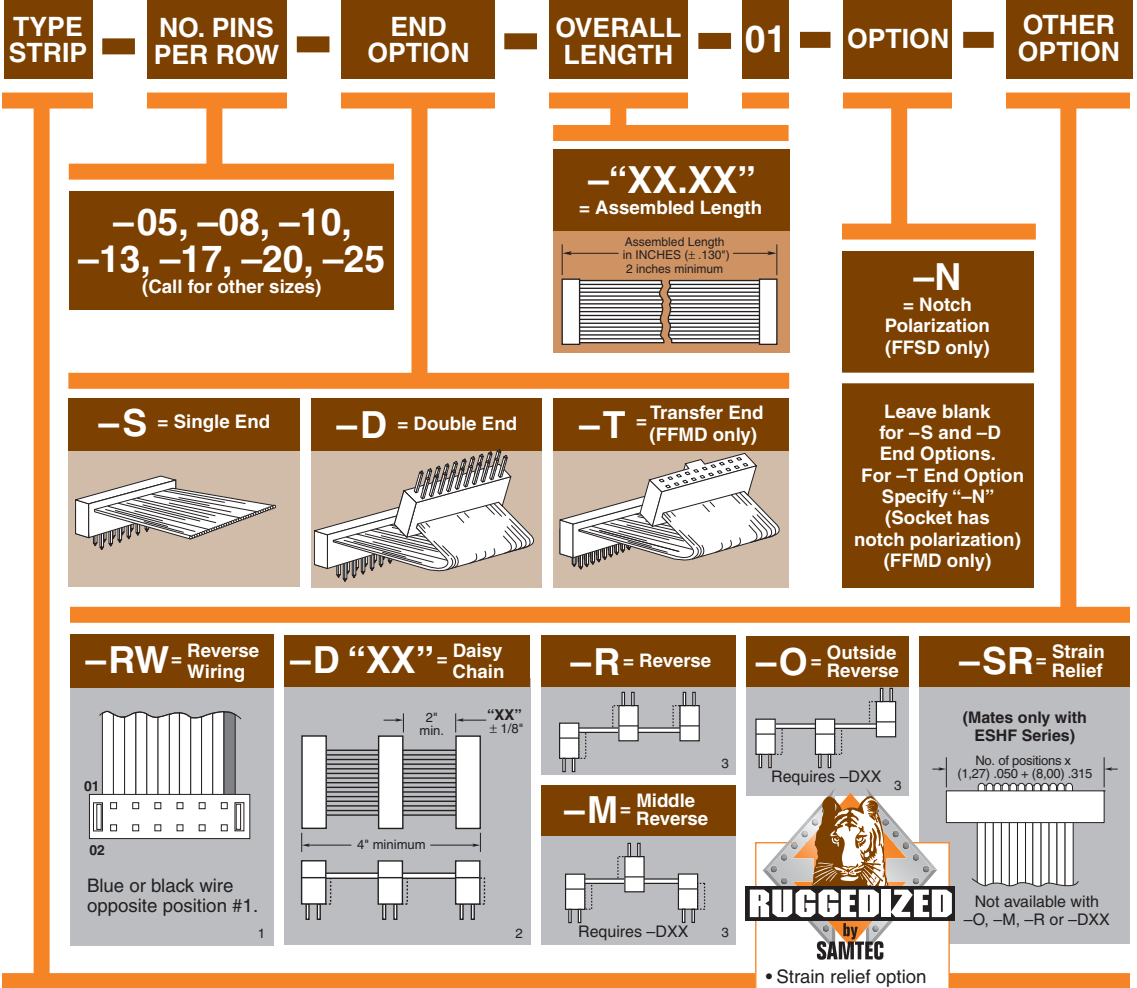
**Current Rating:** 0.5A

**Operating Temp Range:** -40°C to +105°C

**RoHS Compliant:** Yes

**\*Note:** Standard FFMD callout will not mate with FLE, SFMC. Must use gold plated callouts. (See drawing on web.) When mated with a socket, Wire 1 mates with Pin 2; Wire 2 mates with Pin 1, etc.

**Note:** This Series is non-standard, non-returnable.



Due to technical progress, all designs, specifications and components are subject to change without notice.

[WWW.SAMTEC.COM](http://WWW.SAMTEC.COM)