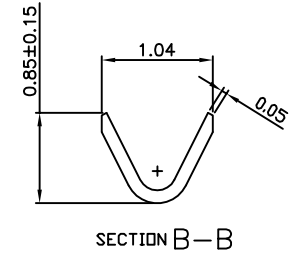
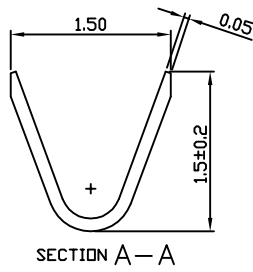
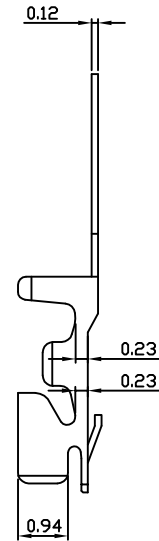
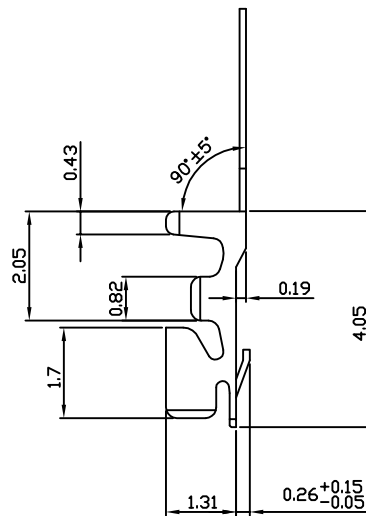
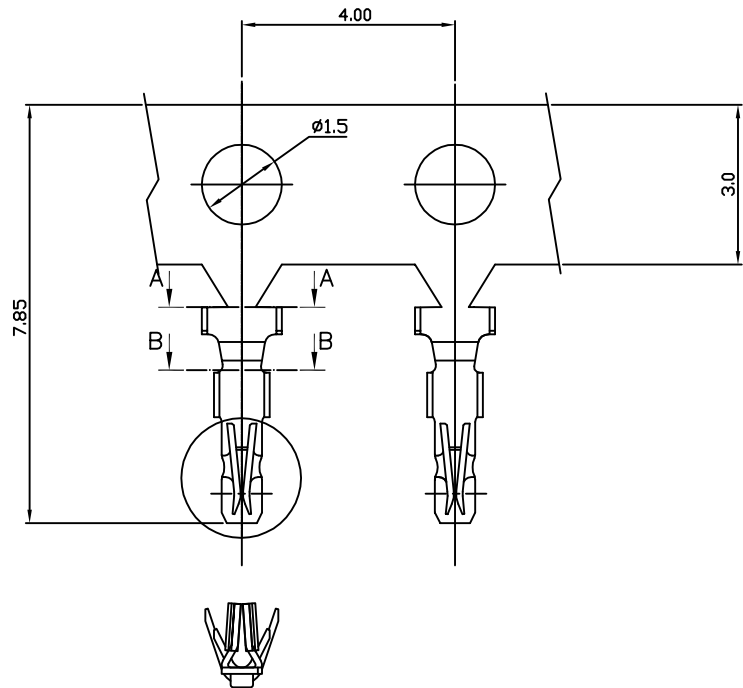


THIS DRAWING IS UNPUBLISHED. RELEASED FOR PUBLICATION AUG ,2006.
 © COPYRIGHT 2009 BY TYCO ELECTRONICS CORPORATION. ALL RIGHTS RESERVED.

LOC	DW	REVISIONS					
DIST		P	LTR	DESCRIPTION	DATE	DWN	APVD
		C		RE-ACTIVED	04AUG2016	IT	WH



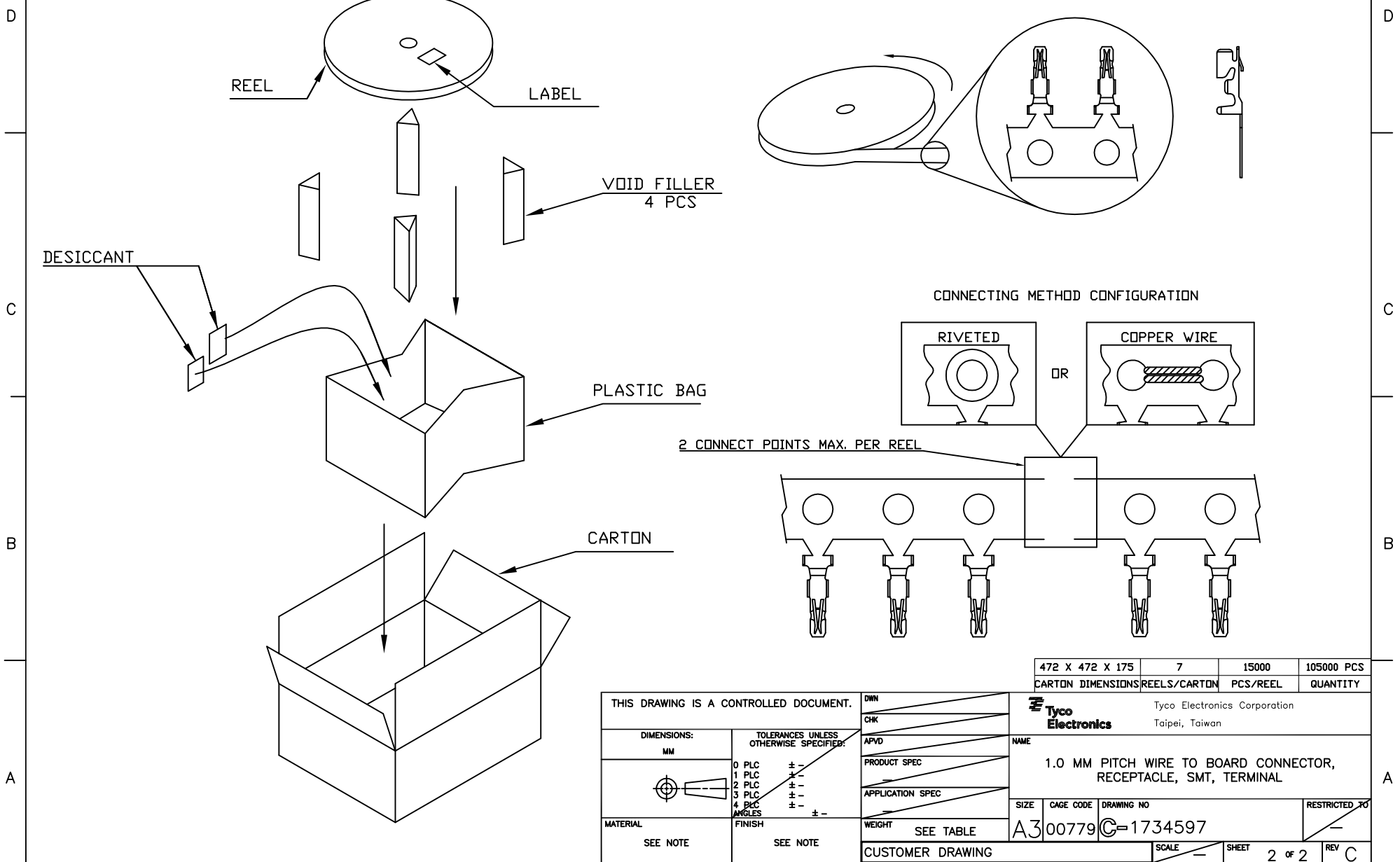
- NOTE:
- MATERIAL: PHOSPHOR BRONZE.
 - FINISH: $0.8\mu\text{m}$ [$31.49\mu''$] TO $1.5\mu\text{m}$ [$59.05\mu''$] TIN OVER ALL.
 - NO TE LOGO AND DATE CODE ON THE PRODUCT.
 - APPLICABLE WIRE RANGE: AWG #28 THRU #32
 - PART NUMBER OF RECEPTACLE HOUSING: X-1470364-X & X-2041214-X.
 - PART NUMBER OF MATING PLUG:
 LOW HALOGEN TYPE: X-2041190-X, X-2041191-X, X-2041202-X
 HALOGEN TYPE: X-1734709-X, X-1734595-X.

1734597-1
 PART NUMBER

THIS DRAWING IS A CONTROLLED DOCUMENT.		DWN A. WU 26JUL2007	Tyco Electronics Corporation Taipei, Taiwan	
DIMENSIONS: MM		CHK S. HOU 26JUL2007	NAME 1.0 MM PITCH WIRE TO BOARD CONNECTOR, RECEPTACLE, SMT, TERMINAL	
TOLERANCES UNLESS OTHERWISE SPECIFIED:		APVD W.J. KE 26JUL2007	PRODUCT SPEC 108-57264	
0 PLC ± -		APPLICATION SPEC		
1 PLC ± 0.15		SIZE A3	CAGE CODE 00779	DRAWING NO C=1734597
2 PLC ± 0.1		RESTRICTED TO		
3 PLC ± -		WEIGHT SEE TABLE		
4 PLC ± -		CUSTOMER DRAWING		
ANGLES ± 3'		SCALE -	SHEET 1 of 2	REV C
MATERIAL SEE NOTE	FINISH SEE NOTE			

THIS DRAWING IS UNPUBLISHED. RELEASED FOR PUBLICATION AUG ,2006.
 © COPYRIGHT 2009 BY TYCO ELECTRONICS CORPORATION. ALL RIGHTS RESERVED.

LOC DW	DIST	REVISIONS		
P	LTR	DESCRIPTION	DATE	DWN APVD
		SEE SHEET 1.		



472 X 472 X 175	7	15000	105000 PCS
CARTON DIMENSIONS	REELS/CARTON	PCS/REEL	QUANTITY

THIS DRAWING IS A CONTROLLED DOCUMENT.		DWN	Tyco Electronics Corporation Taipei, Taiwan	
DIMENSIONS: MM	TOLERANCES UNLESS OTHERWISE SPECIFIED:	CHK	NAME	
0 PLC ± -	1 PLC ± -	APVD	1.0 MM PITCH WIRE TO BOARD CONNECTOR, RECEPTACLE, SMT, TERMINAL	
2 PLC ± -	3 PLC ± -	PRODUCT SPEC	SIZE	CAGE CODE
4 PLC ± -	ANGLES ± -	APPLICATION SPEC	A3	00779
MATERIAL	FINISH	WEIGHT	DRAWING NO	RESTRICTED TO
SEE NOTE	SEE NOTE	SEE TABLE	C=1734597	-
CUSTOMER DRAWING			SCALE	SHEET 2 of 2
				REV C