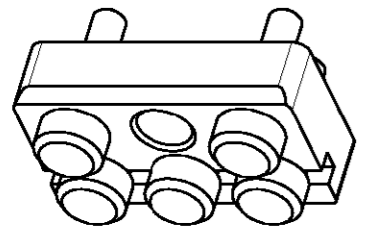
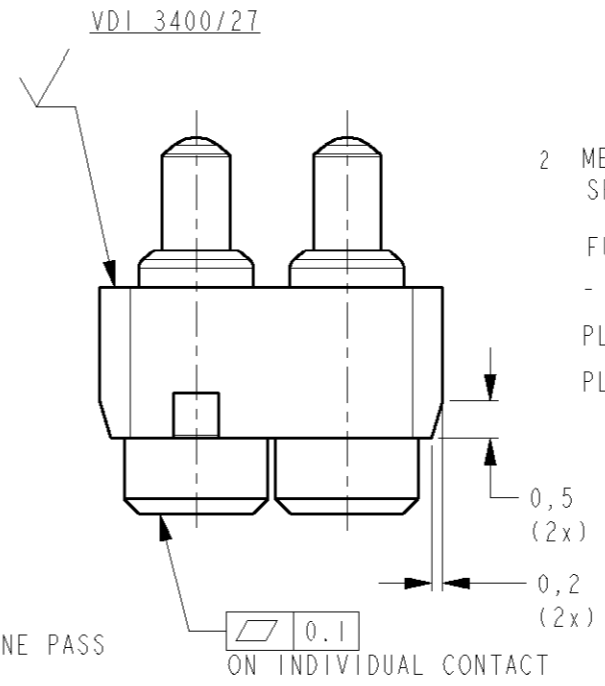
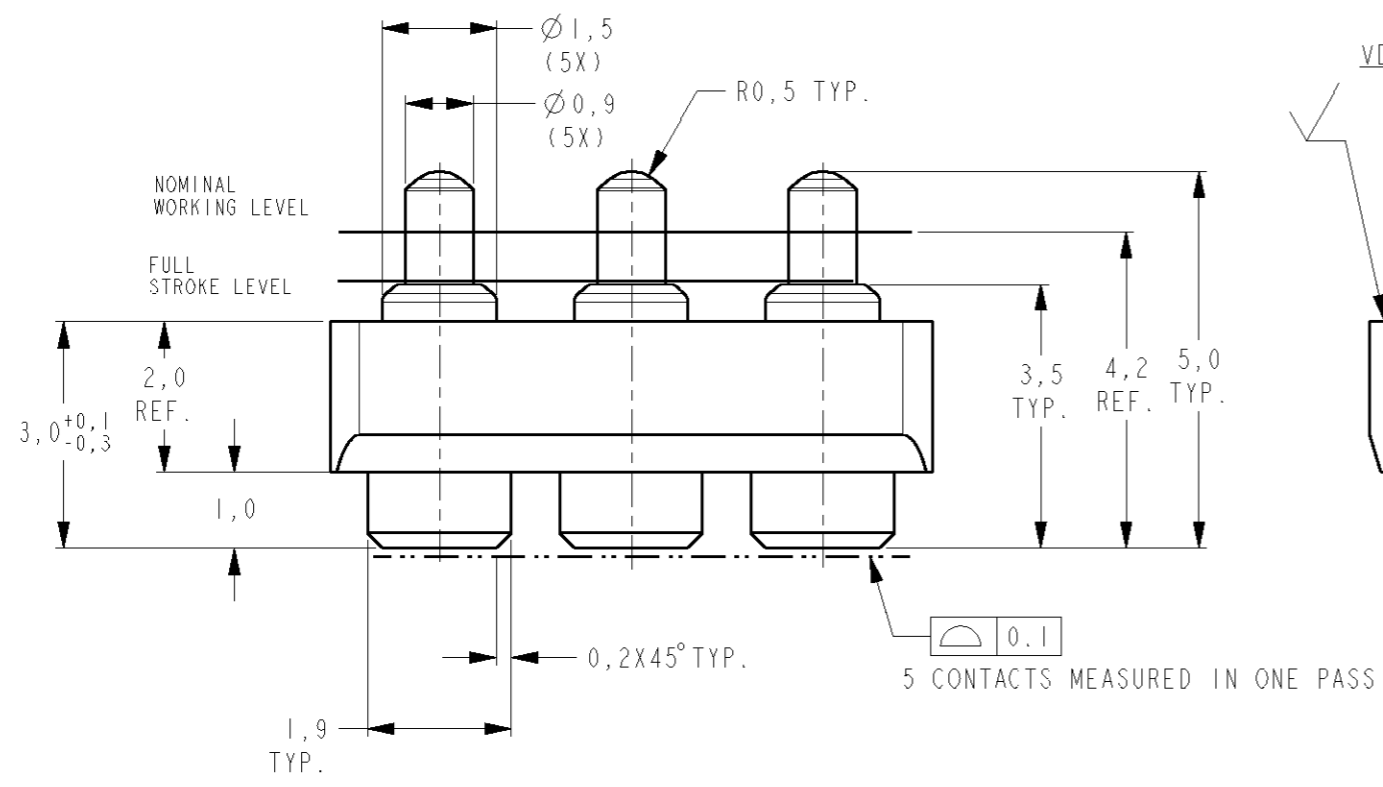
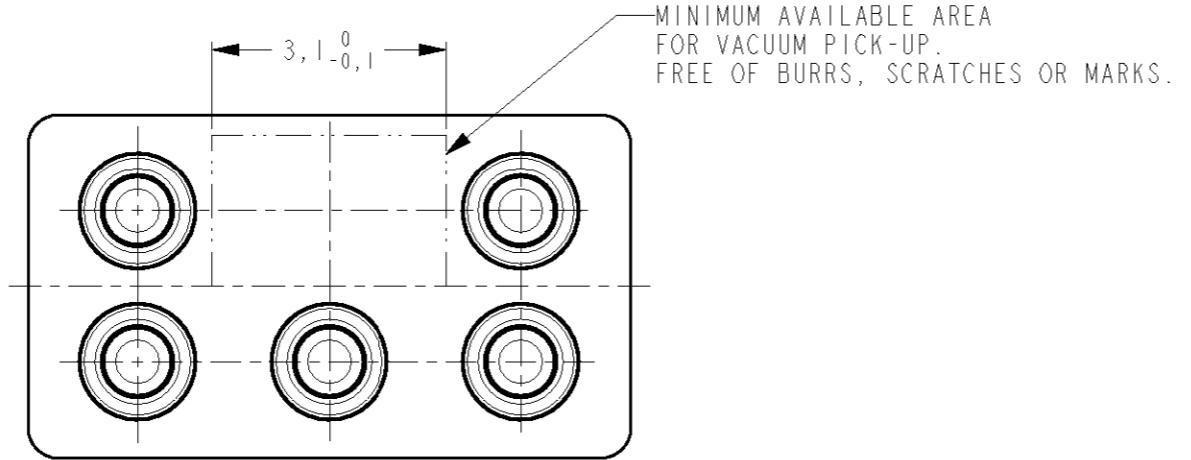


THIS DRAWING IS UNPUBLISHED. RELEASED FOR PUBLICATION
 © COPYRIGHT - BY TYCO ELECTRONICS CORPORATION. ALL RIGHTS RESERVED.

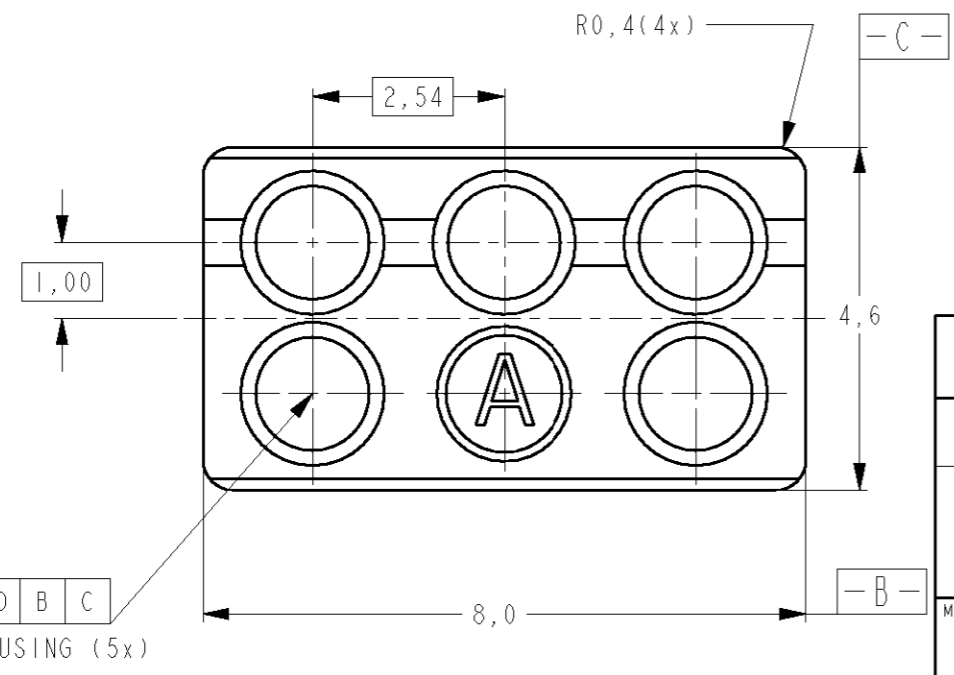
LOC	DIST	REVISIONS					
		P	LTR	DESCRIPTION	DATE	DWN	APVD
H	-		E	EH01-0616-03	15 MAY 03	RTR	PDJ
			E1	EH10-0392-05	21 MAR 05	RTR	PDJ



SCALE 5:1



- NOTES:
- MATERIAL, HOUSING: PA 4.6 (30% GLASS FILLED)
COLOUR BLACK. (NCS 9000-1)
CONTACT: BRASS
 - MECHANICAL DEMANDS:
SPRING FORCE: MIN 0.30 N WITH 0,50 mm STROKE
0.80 + 0.60 N/ - 0.20 N WITH 0,8mm STROKE
FULL STROKE : 1,4mm
 - PLATING PISTON: MIN. 0.5µm Au OVER 1.4µm Ni.
PLATING BARREL: MIN. 0,1µm Au OVER 1.4µm Ni.

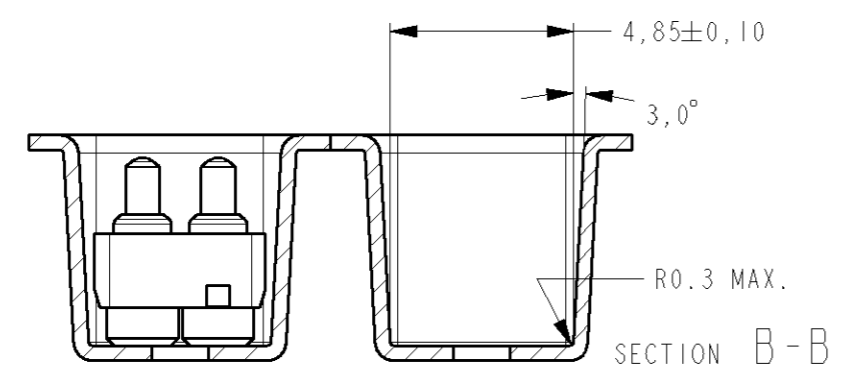
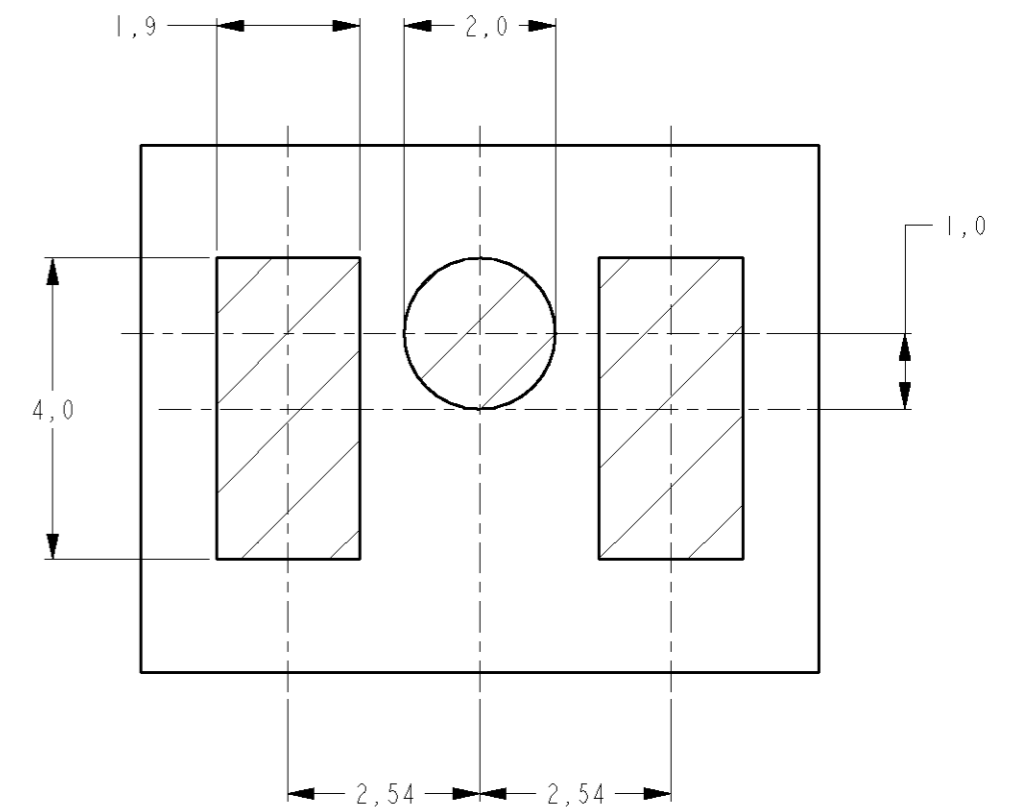
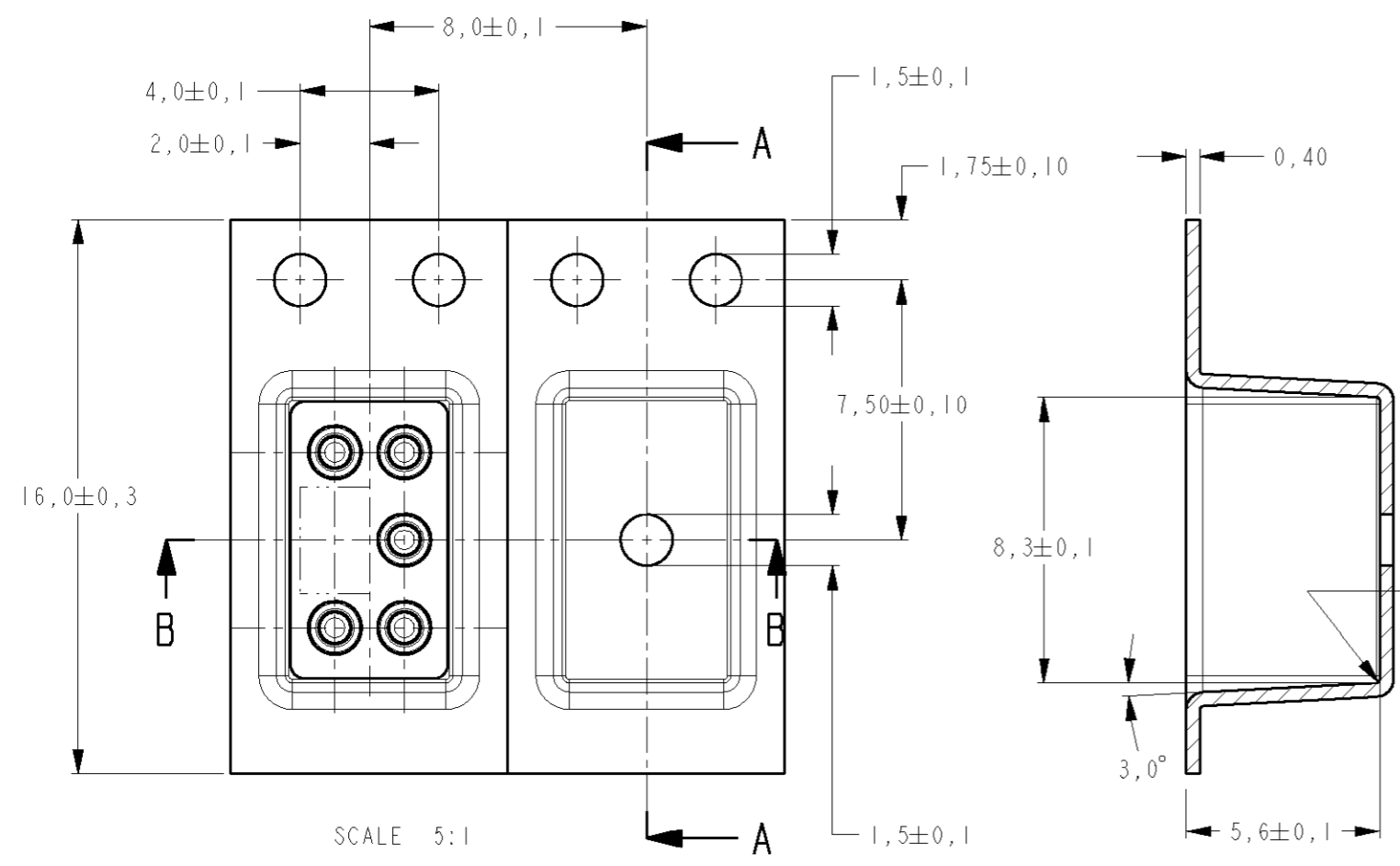
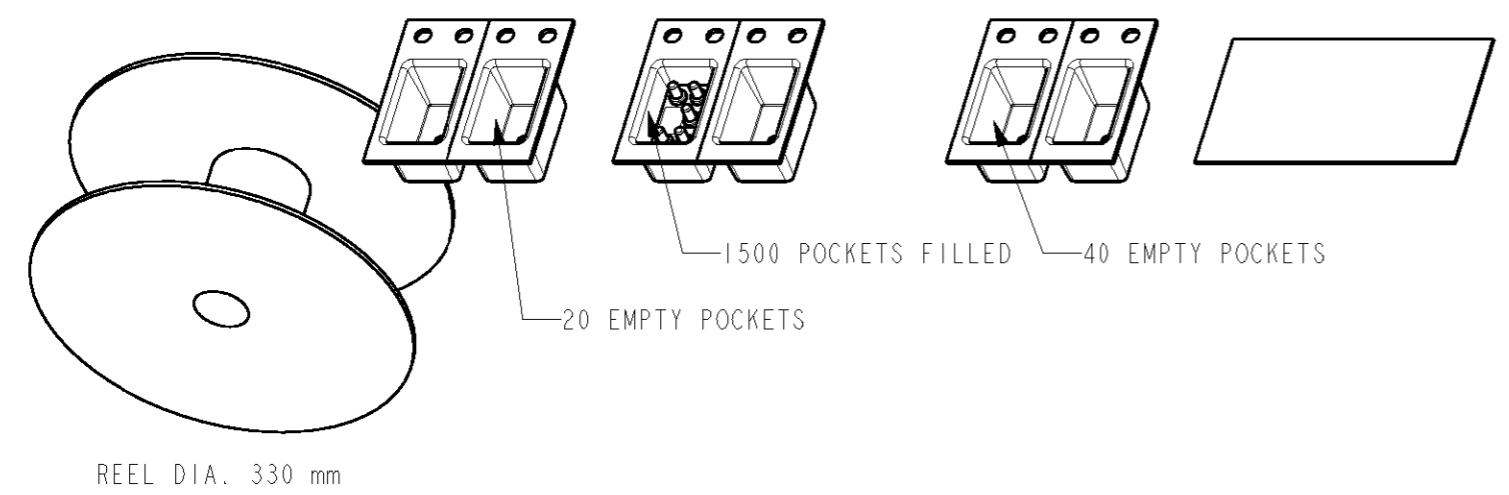


ORDER NR 1377269-2

THIS DRAWING IS A CONTROLLED DOCUMENT FOR TYCO ELECTRONICS CORPORATION IT IS SUBJECT TO CHANGE AND THE CONTROLLING ENGINEERING ORGANIZATION SHOULD BE CONTACTED FOR THE LATEST REVISION.		DWN R.Trippe 27 NOV 01 CHK S.Heutschl 27 NOV 02 APVD PD JAEGER - PRODUCT SPEC 108-19254 APPLICATION SPEC 114-19064 WEIGHT -		tyco Electronics TYCO ELECTRONICS NEDERLAND B.V. 's-HERTOGENBOSCH, THE NETHERLANDS	
DIMENSIONS: mm 		TOLERANCES UNLESS OTHERWISE SPECIFIED: 0 PLC ±- 1 PLC ±0.1 2 PLC ±- 3 PLC ±- 4 PLC ±- ANGLES ±-		NAME BATTERY CONNECTOR SIZE A3 CAGE CODE 00779 DRAWING NO C-1377269 RESTRICTED TO -	
MATERIAL -		FINISH -		CUSTOMER DRAWING SCALE 10:1 SHEET 1 OF 2 REV E1	

THIS DRAWING IS UNPUBLISHED. RELEASED FOR PUBLICATION
 © COPYRIGHT - BY TYCO ELECTRONICS CORPORATION. ALL RIGHTS RESERVED.

LOC	DIST	REVISIONS					
		P	LTR	DESCRIPTION	DATE	DWN	APVD
H	-	-	-	SEE SHEET 1	-	-	-



NOTES:
 COVER, EMOSS TAPE AND REEL
 ACCORDING EIA STANDARD 481-B

THIS DRAWING IS A CONTROLLED DOCUMENT FOR TYCO ELECTRONICS CORPORATION
 IT IS SUBJECT TO CHANGE AND THE CONTROLLING ENGINEERING ORGANIZATION
 SHOULD BE CONTACTED FOR THE LATEST REVISION.

DIMENSIONS:	TOLERANCES UNLESS OTHERWISE SPECIFIED:
mm	0 PLC ±-
	1 PLC ±-
	2 PLC ±-
	3 PLC ±-
	4 PLC ±-
	ANGLES ±-
MATERIAL	FINISH

DWN	R.Trippe	27 NOV 01
CHK	S.Heutschl	27 NOV 02
APVD	PD JAEGER	-
PRODUCT SPEC	SEE SHEET 1	
APPLICATION SPEC	SEE SHEET 1	
WEIGHT	-	
CUSTOMER DRAWING		

tyco Electronics		TYCO ELECTRONICS NEDERLAND B.V. 's-HERTOGENBOSCH, THE NETHERLANDS	
NAME BATTERY CONNECTOR PCB PAD LAY-OUT			
SIZE	CAGE CODE	DRAWING NO	RESTRICTED TO
A3	00779	C-1377269	-
SCALE 5:1		SHEET 2 OF 2	REV E1