

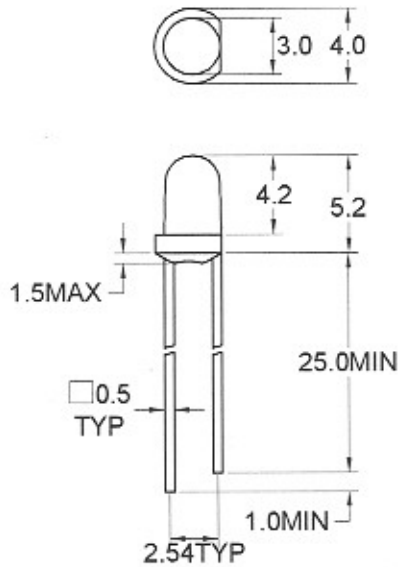


ROUND TYPE LED LAMPS

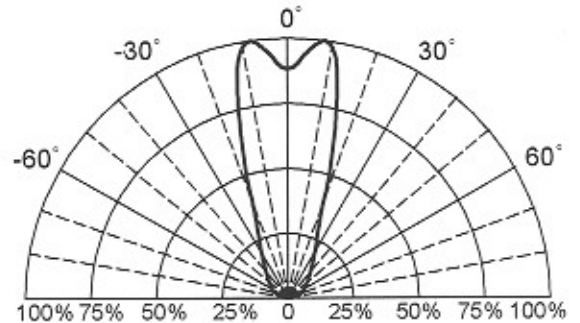
LX2040

SERIES

Package Dimension



Directivity Radiation



Note:1.All dimension are in millimeter tolerance is  $\pm 0.25\text{mm}$  unless otherwise noted  
2.Specifications are subject to change without notice

• Part Selection And Application Information (Ratings At 25°C Ambient)

PART NO	MATERIAL	COLOR		Peak wave length $\lambda$ Pnm	Spectral halfwidth $\Delta \lambda$ nm	Forward voltage @20mA(v)		Luminous intensity @10mA(mcd)		Viewing angle $2\theta$ 1/2 (deg)
		Emitted	Lens			Min.	Max.	Min.	Typ.	
LPG2040	GaP	Green	Green Diffused	555	30	1.7	2.6	4.5	9.0	36
LSG2040	GaP	Green	Green Diffused	560	30	1.7	2.6	8.0	15	36
LSE2040	GaAsP/GaP	Orange	Orange Diffused	610	45	1.7	2.6	8.0	12	36
LA2040	GaAsP/GaP	Yellow	Orange Diffused	600	35	1.7	2.6	8.0	20	36

• Absolute Maximun Rating (Ta=25°C)

PARAMETER	RED		GREEN		YELLOW		ORANGE		UNIT	REMARK
			SG	PG	A		SE			
Forward Current			30	30	20			20	mA	
Peak Forward Current Duty 1/10@10KHz			120	120	80			80	mA	
Power Dissipation			100		60		80		mW	
Reverse Current @5v			10		10		10		$\mu$ A	
Operating Temperature	-40°C TO +85°C									
Storage Temperature	-40°C TO +100°C									

Lead Soldering Temperature 260°C For 5 Seconds(2.0mm From Body)