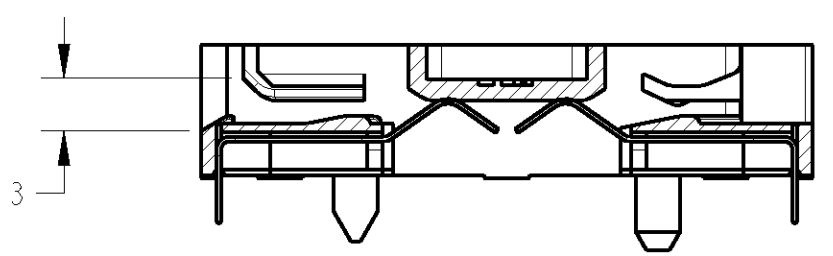
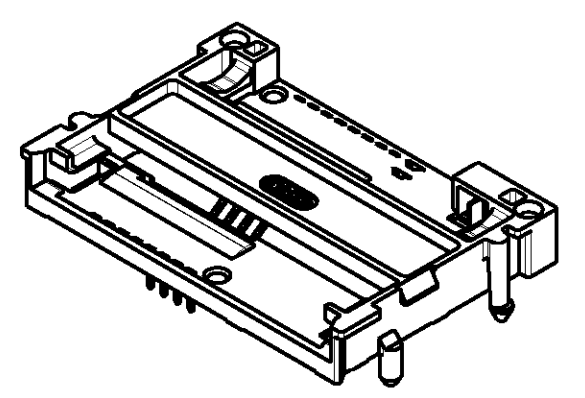


THIS DRAWING IS UNPUBLISHED. RELEASED FOR PUBLICATION
 © COPYRIGHT - BY TYCO ELECTRONICS CORPORATION. ALL RIGHTS RESERVED.

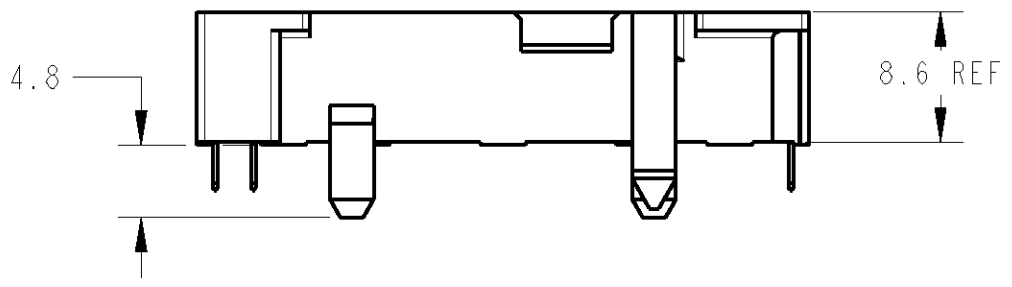
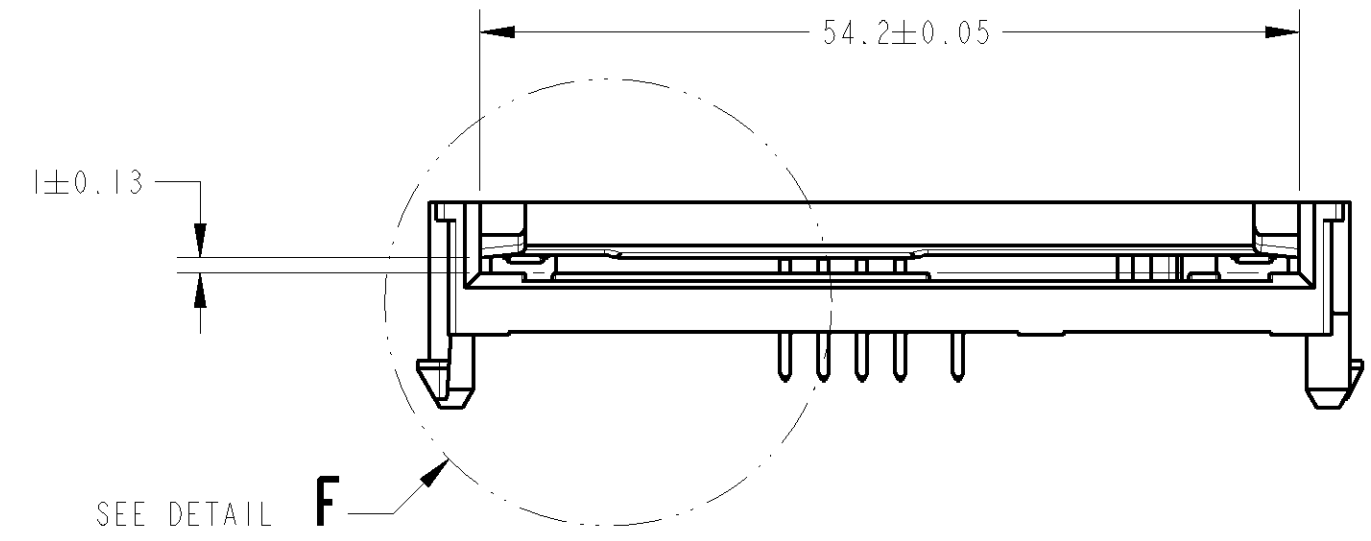
LOC	DIST	REVISIONS			
P	LTR	DESCRIPTION	DATE	DWN	APVD
H	-	A	EHI0-0478-04	16DEC2004	RC PJ



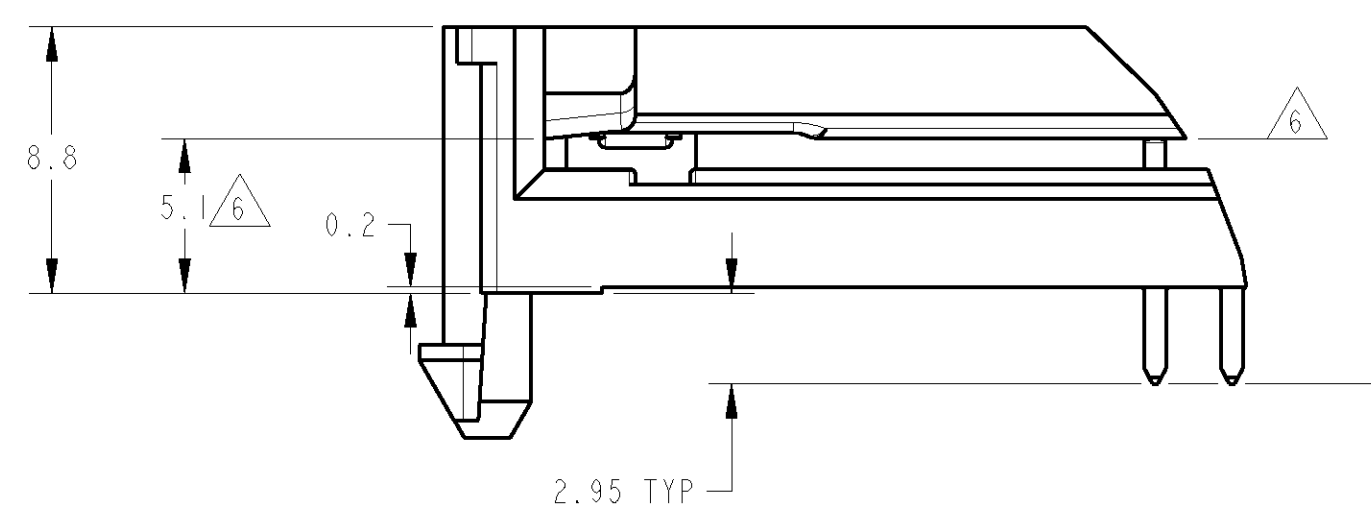
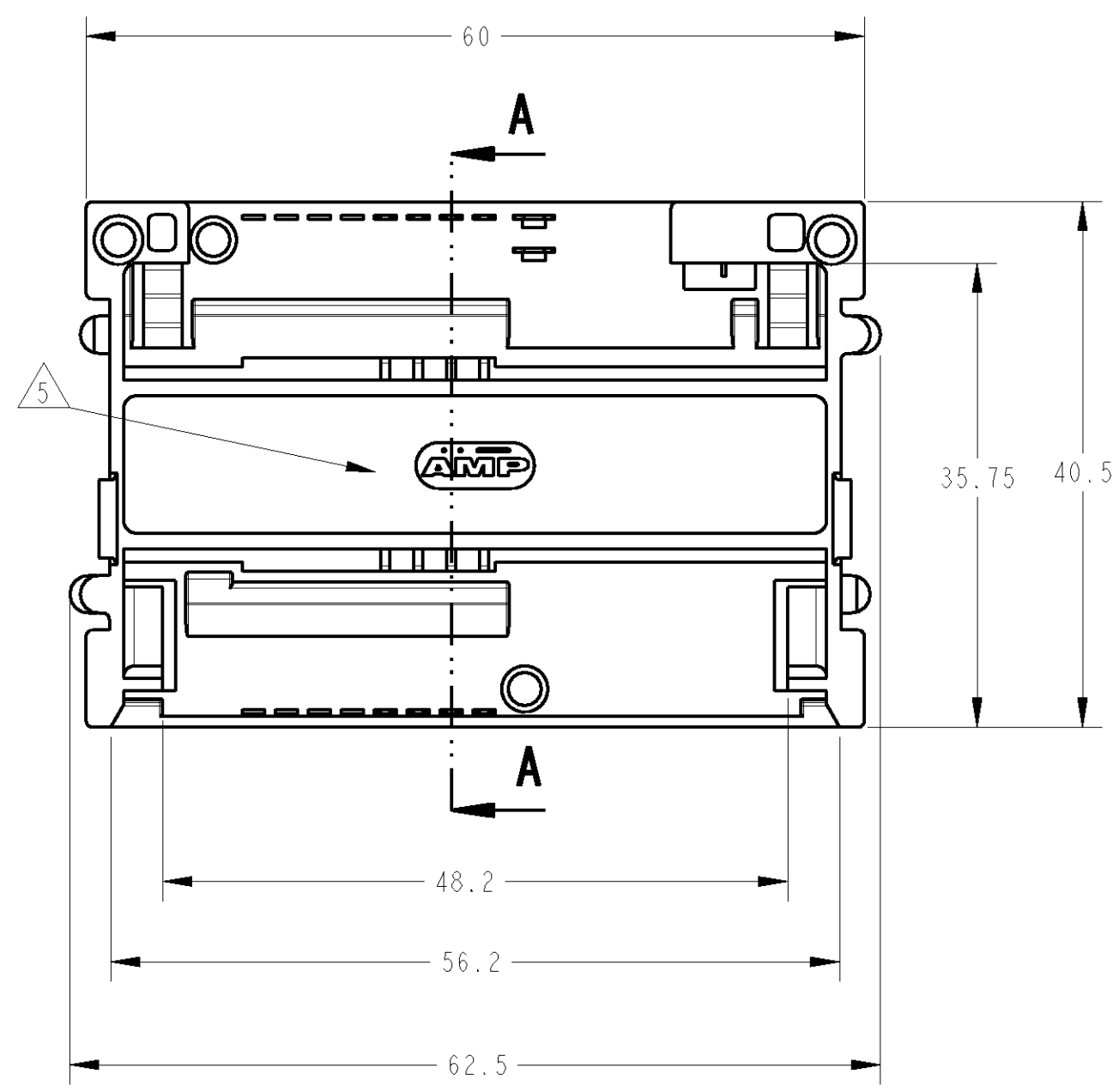
SECTION A-A



SCALE 1:1



- 1 SMART CARD READER : PBT G-F, BLACK UL 94V0
SIGNAL AND SWITCH CONTACTS : PHOSPHOR BRONZE.
- 2 ALL CONTACTS : 0.00076 GOLD ON MATING AREAS,
0.0025 TIN (LEADFREE/MATTE) ON SOLDER TAILS,
ALL OVER 0.001 NICKEL.
- 3 AMP SMART CARD RECEPTACLE DESIGNED TO ACCEPT
ISO 7810-7816 TYPE INTEGRATED CIRCUIT SMART
CARDS (0.76mm REF. THICKNESS)
SEE SHEET 2/2
- 4 8 POSITIONS 5953398-1 SHOWN ON DRAWING
- 5 LOGO SHAPE AND POSITION VARY DEPENDING ON
MOLD CAVITY NUMBER.
- 6 DIMENSION APPLICABLE IN CARD CONTACT AREA ONLY.
SURFACE VARY DEPENDING ON MOLD CAVITY NUMBER.

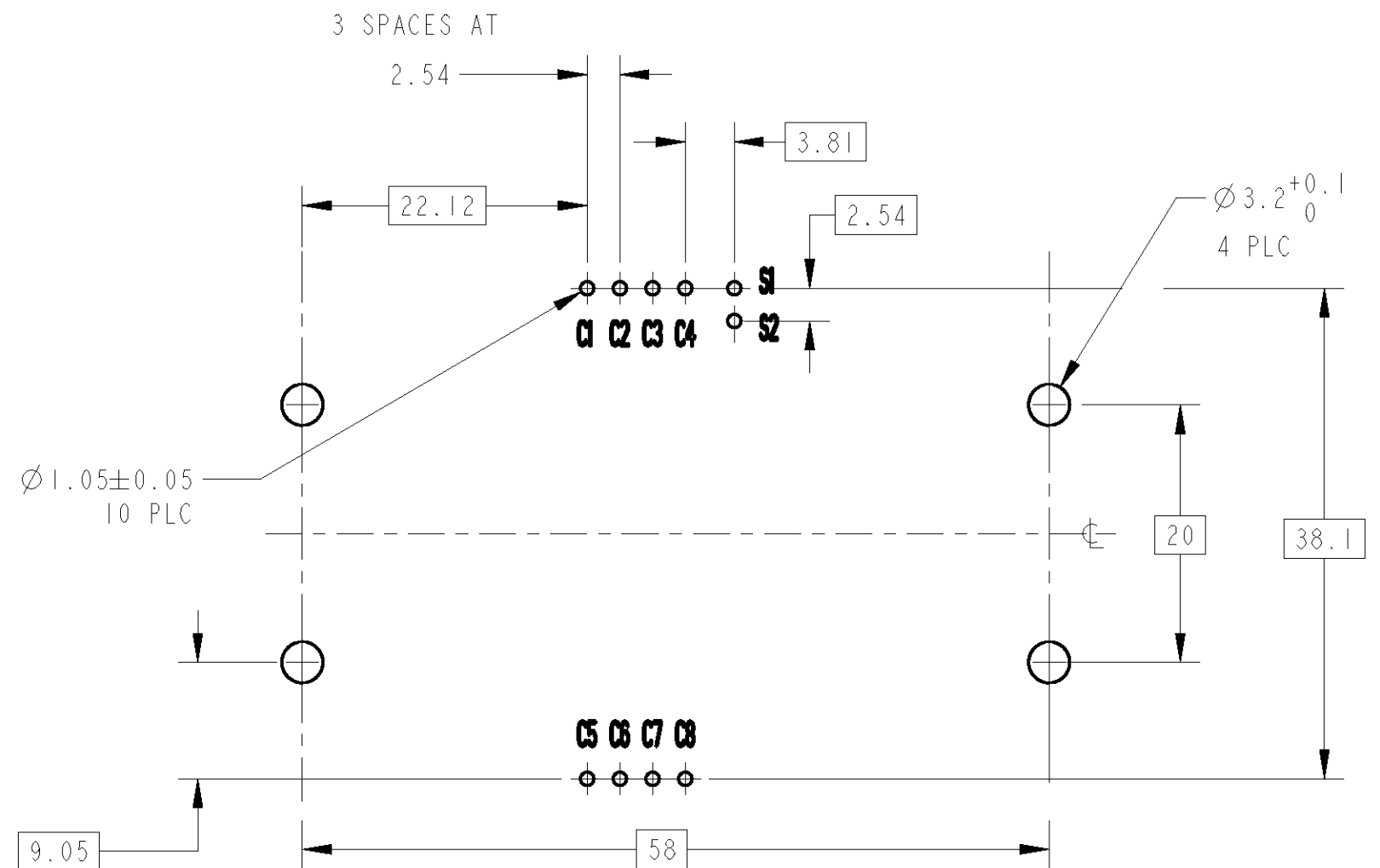


DETAIL F
SCALE 4:1

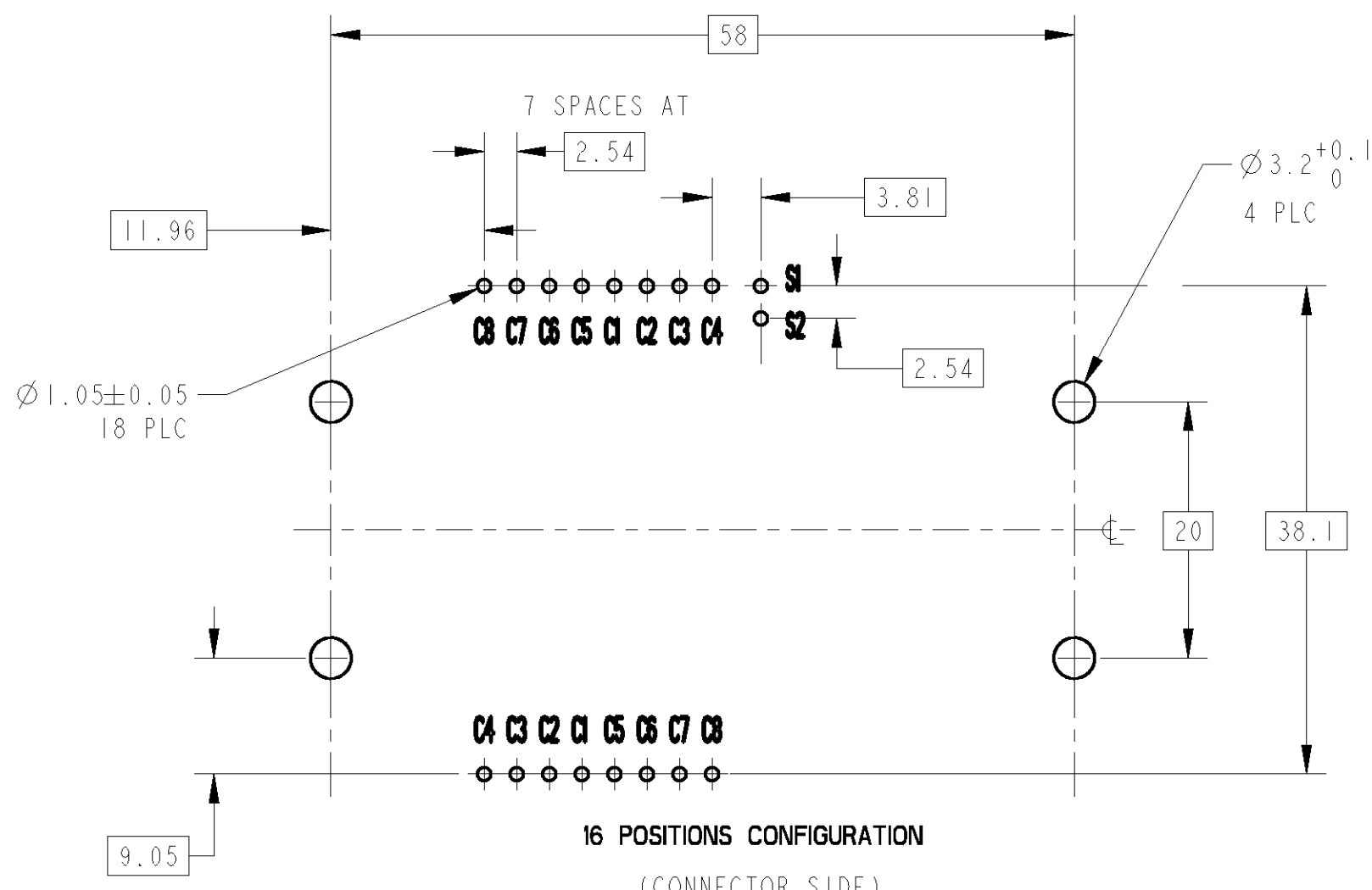
PartNumber : 5953398-1	8 POSITIONS ISO 7816
PartNumber : 5953398-2	16 POSITIONS ISO / CP8 AFNOR

THIS DRAWING IS A CONTROLLED DOCUMENT FOR TYCO ELECTRONICS CORPORATION IT IS SUBJECT TO CHANGE AND THE CONTROLLING ENGINEERING ORGANIZATION SHOULD BE CONTACTED FOR THE LATEST REVISION		DWN R. Coolen 16 Dec 04	tyco TYCO ELECTRONICS NEDERLAND B.V.	
DIMENSIONS: mm		CHK W. Jansen	's-HERTOGENBOSCH, THE NETHERLANDS	
TOLERANCES UNLESS OTHERWISE SPECIFIED: 0 PLC ±0.5 1 PLC ±0.3 2 PLC ±0.13 3 PLC ± 4 PLC ± ANGLES ± FINISH		APVD P. Jaeger	NAME SMART CARD READER 0.76mm, PCB MOUNT THROUGH HOLE, LOW PROFILE BLADE SWITCH NORMALLY CLOSED	
MATERIAL		PRODUCT SPEC 108-15202	SIZE A2	RESTRICTED TO -
1 -		APPLICATION SPEC -	CAGE CODE 00779	DRAWING NO. 5953398
2 -		WEIGHT 8,5/9 g	SCALE 2:1 SHEET 1 OF 2 REV A	
CUSTOMER DRAWING				

THIS DRAWING IS UNPUBLISHED. RELEASED FOR PUBLICATION
 © COPYRIGHT - BY TYCO ELECTRONICS CORPORATION. ALL RIGHTS RESERVED.



8 POSITIONS CONFIGURATION
(CONNECTOR SIDE)
SCALE 2:1

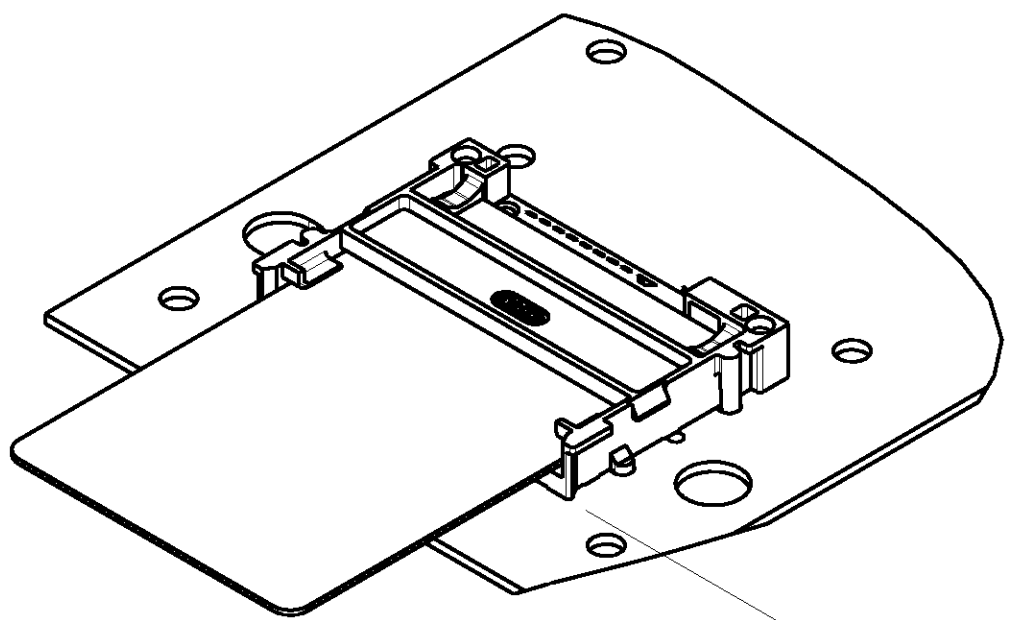


16 POSITIONS CONFIGURATION
(CONNECTOR SIDE)

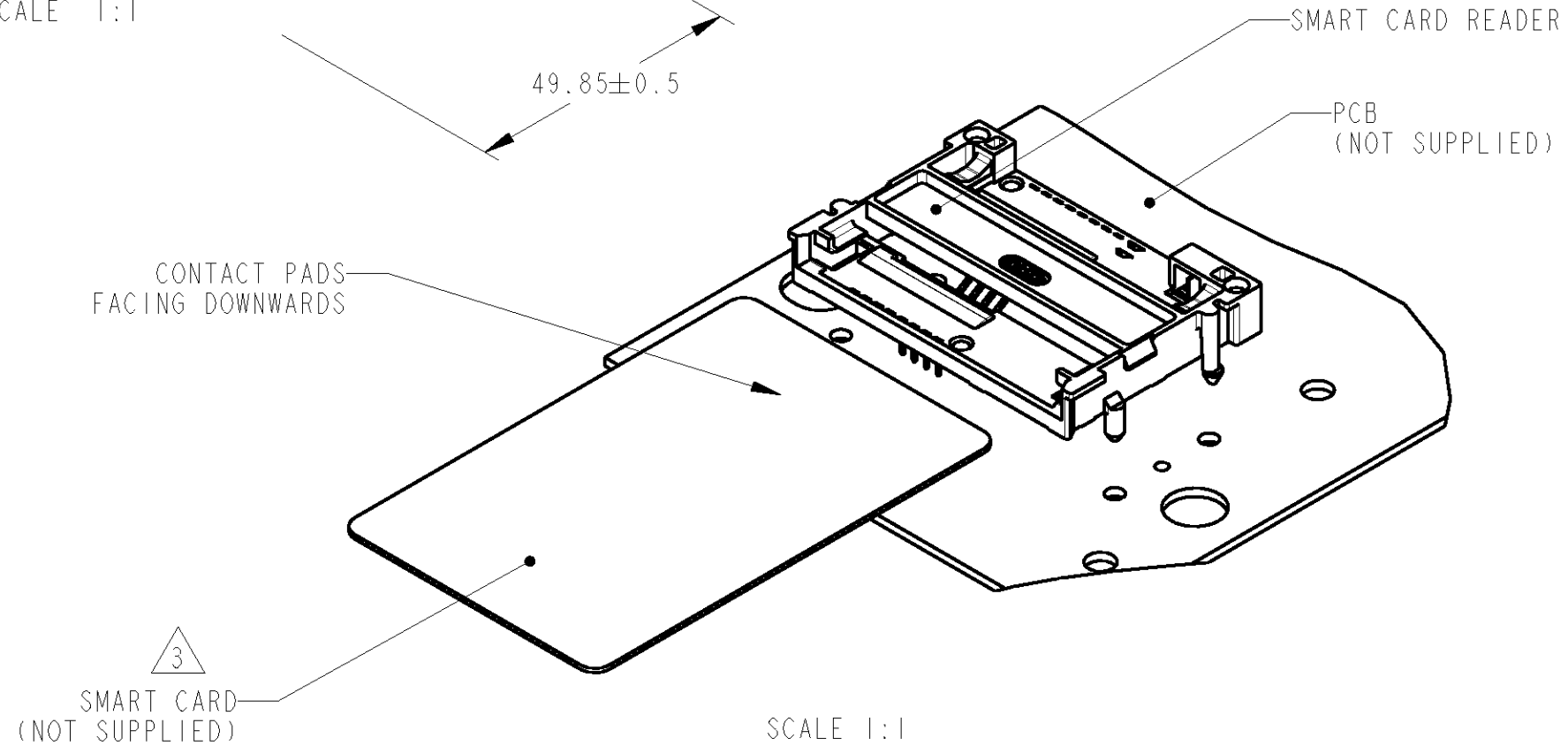
POSITION TOLERANCE FOR ALL HOLES $\pm \phi 0.1$
 PCB BOARD THICKNESS 1.57 ± 0.1 (.062)

RECOMMENDED PCB LAYOUT

LOC	DIST	REVISIONS					
H	-	P	LTR	DESCRIPTION	DATE	DWN	APVD
		-		SEE SHEET 1	-	-	-



SCALE 1:1



SCALE 1:1

PCB MOUNTING CONFIGURATION

THIS DRAWING IS A CONTROLLED DOCUMENT FOR TYCO ELECTRONICS CORPORATION. IT IS SUBJECT TO CHANGE AND THE CONTROLLING ENGINEERING ORGANIZATION SHOULD BE CONTACTED FOR THE LATEST REVISION.		DWN R. Coolen 16 Dec 04	TYCO ELECTRONICS NEDERLAND B.V. 's-HERTOGENBOSCH, THE NETHERLANDS	
DIMENSIONS: mm		CHK W. Jansen	NAME SMART CARD READER 0.76mm, PCB MOUNT THROUGH HOLE, LOW PROFILE BLADE SWITCH NORMALLY CLOSED	
TOLERANCES UNLESS OTHERWISE SPECIFIED: 0 PLC ±0.5 1 PLC ±0.3 2 PLC ±0.13 3 PLC ± 4 PLC ±		APVD P. Jaeger	PRODUCT SPEC -	
MATERIAL		APPLICATION SPEC -	WEIGHT -	
FINISH		ANGLE ±	RESTRICTED TO -	
		CUSTOMER DRAWING	SIZE A2	CAGE CODE 00779
			DRAWING NO. 5953398	REV A
		SCALE 2:1	SHEET 2 OF 2	