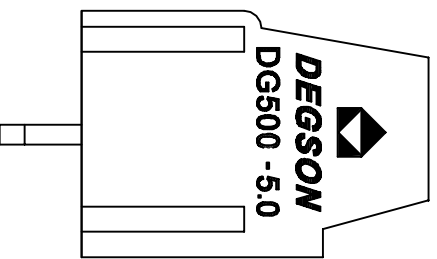
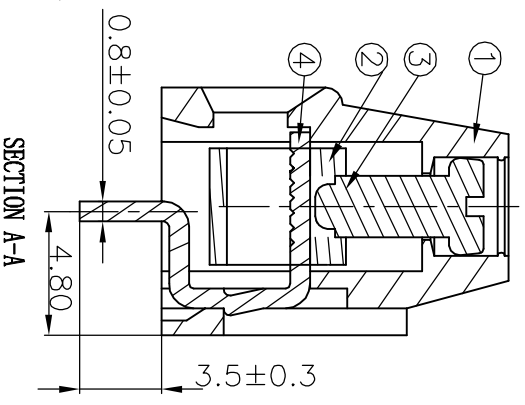
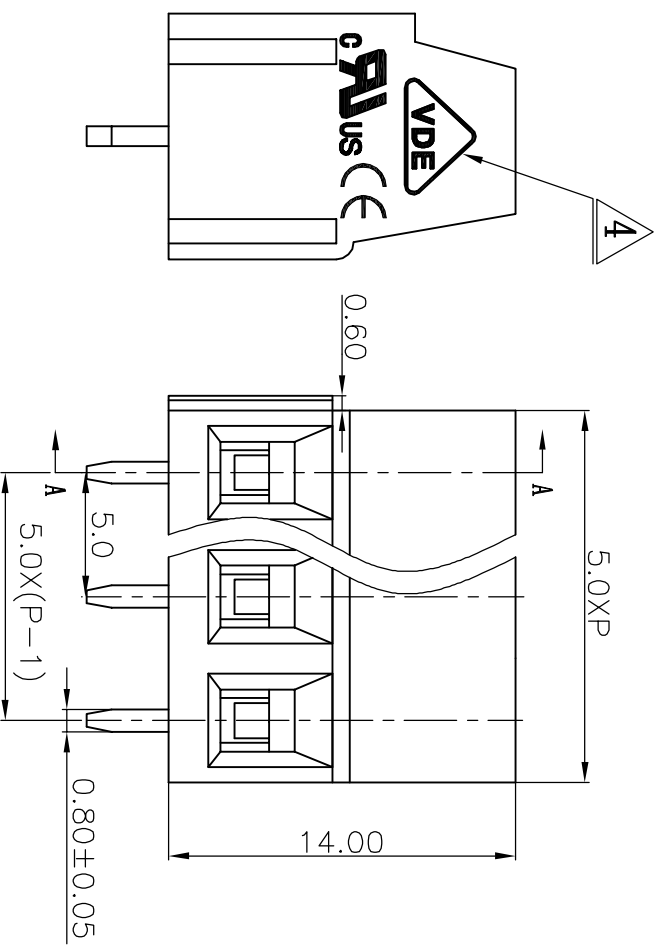
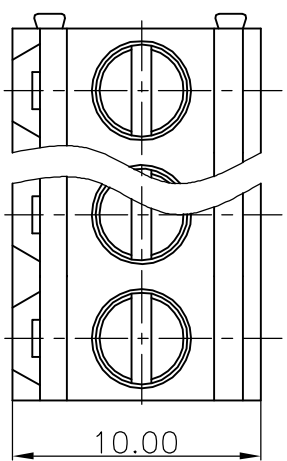


REVISION RECORD

REV	EQN	DESCRIPTION	DWPT	DATE
△		Drawing Revise	Haqjh	04/18/06
△		#料号由 924.06改为 8±0.05	YgJ	02/05/07
△		增加VDE、CE标志	CSX	08/03/07
△		增加VDE、CE标志	LJH	11/14/07
△	in-045	UL电流10A变更为15A	Lasling	08/02/10*

- Notes:
1. Pitch: 5.0mm
 2. Rated voltage/current: UL 300V/15A △ VDE 250V/18A
 3. Operation temperatures: -40° C~+105° C
 4. Insulation Withstand Voltage: AC2000V/1Min
 5. Insulation Resistance: 500MΩ/DC1000V
 6. Wire Range: 24-12AWG 2.5mm²
 7. Max. Torque Value: 4.08kgf.cm
 8. Undimensioned Tolerances:

Pitch range in mm	Nominal dimension range in mm					
over 6	over 10	over 30	over 60	over 100	over 150	—
to 6	to 10	to 24	to 30	to 60	to 100	to 150
±0.10	±0.15	±0.25	±0.2	±0.3	±0.5	±0.7 ±1.0/0.005/10



1	DE500-5.0-Housing	4045A0YXXA(H)	1	PA66	UL94V-0
ITEM	NAME OF PART	NO. OF PART	Q'TY	MATERIAL	NOTES
DETACHED LISTS					
MM	(INCH)	DFTO HOURL	DATE	06/27/05*	
0 ±		CHKD	DATE		
0.00 ±		MFO	DATE		
		APPL	DATE		
ANGLES ± 1°		MATERIAL :			
THIRD ANGLE PROJECTION		G.E. :			
		FINISH :			
		SCALE :			
		NAME			
		DRAWING NO. DG500-5.0-E02			
		/PART NO.			
		DO NOT SCALE DRAWING			
		SHEET 1 OF 1			

4	DG128-Pin	4027B00010(H)	XX	Brass	SnCe
3	DG128 Screw-M2.5	S000001460(H)	XX	Steel	Cr ³⁺ Zn
2	DG128 Brass Cage	X000000020(H)	XX	Brass	Ni plated

8 7 6 5 4 3 2 1