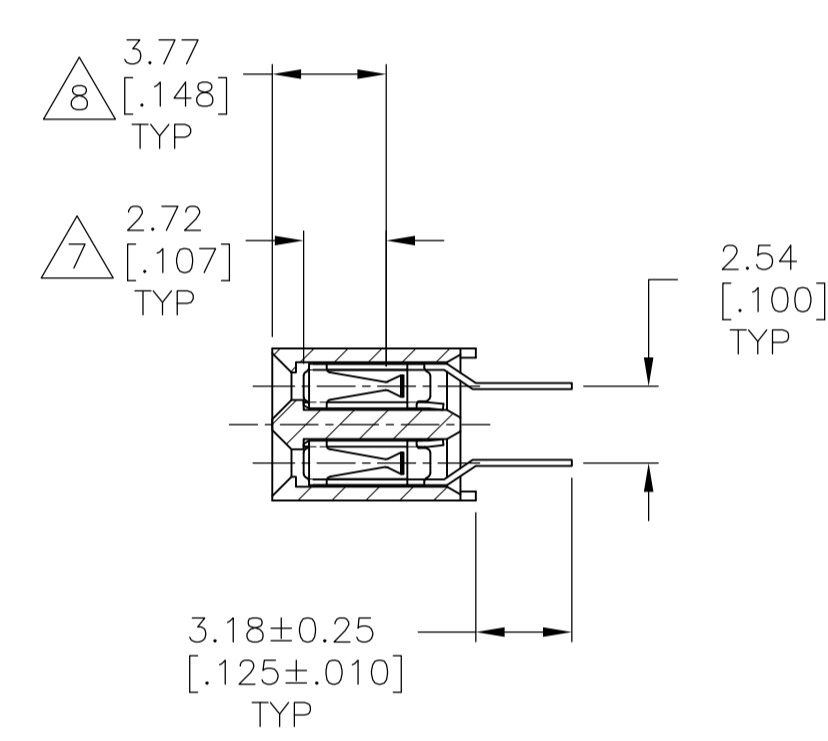
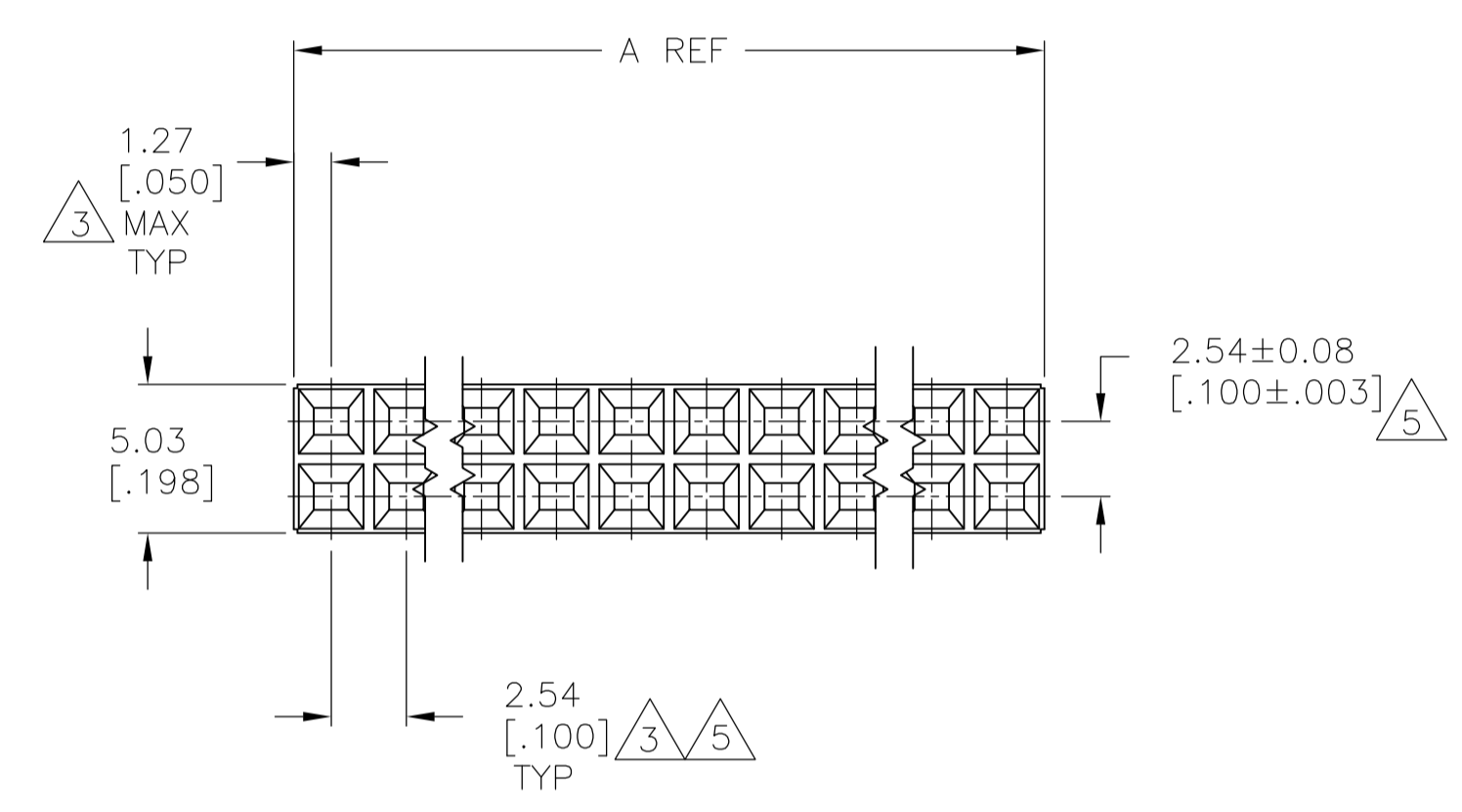
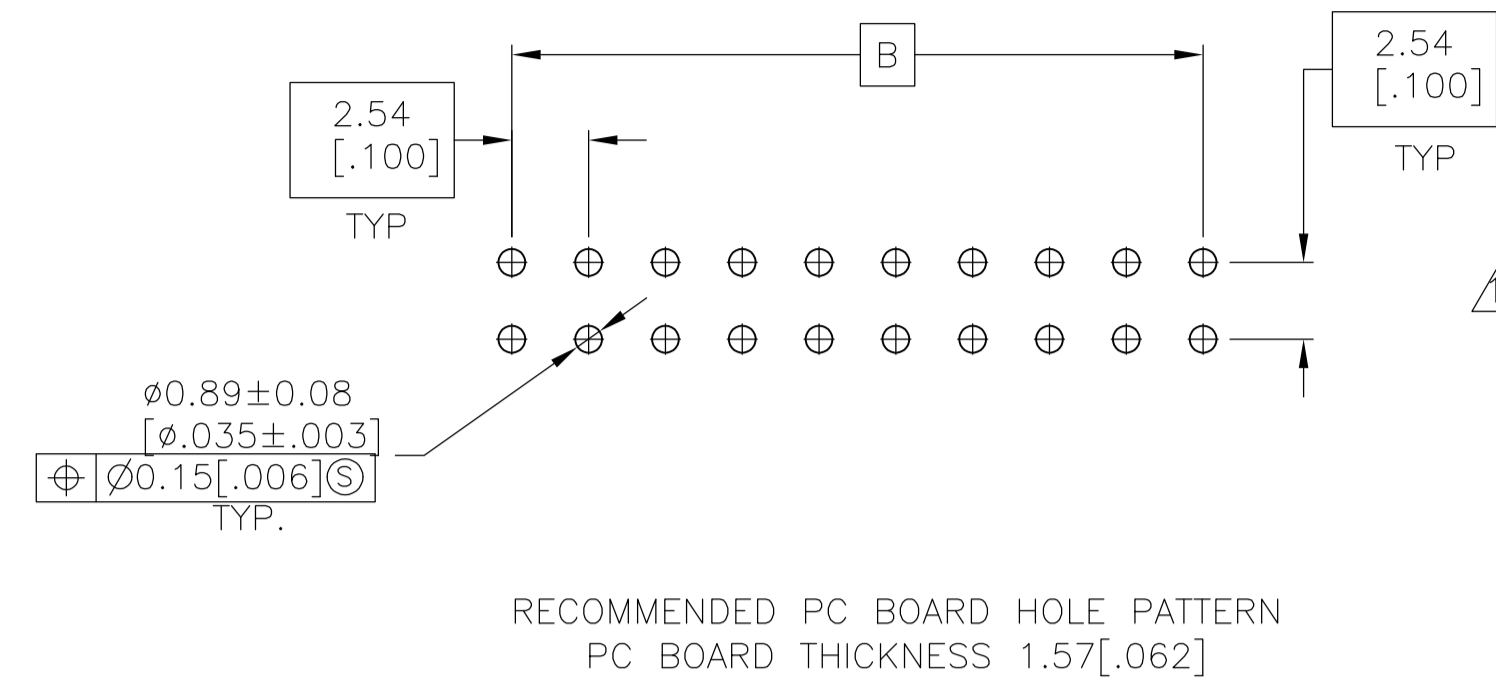
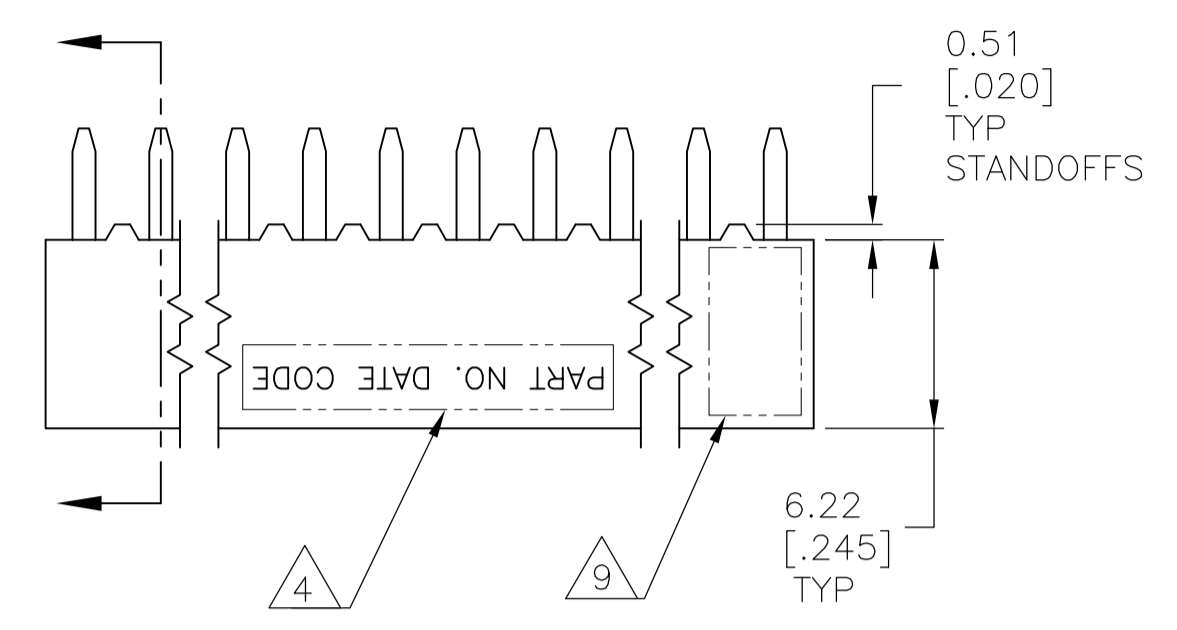


SEE SHEET 2
 FOR P/N'S -51 THRU -90



OBSOLETE	88.90 [3.500]	91.44 [3.600]	72	3-534998-6
	86.36 [3.400]	88.90 [3.500]	70	3-534998-5
SUPERCEDED BY 8-534998-4	83.82 [3.300]	86.36 [3.400]	68	3-534998-4
OBSOLETE	81.28 [3.200]	83.82 [3.300]	66	3-534998-3
	78.74 [3.100]	81.28 [3.200]	64	3-534998-2
OBSOLETE	76.20 [3.000]	78.74 [3.100]	62	3-534998-1
	73.66 [2.900]	76.20 [3.000]	60	3-534998-0
OBSOLETE	71.12 [2.800]	73.66 [2.900]	58	2-534998-9
	68.58 [2.700]	71.12 [2.800]	56	2-534998-8
OBSOLETE	66.04 [2.600]	68.58 [2.700]	54	2-534998-7
	63.50 [2.500]	66.04 [2.600]	52	2-534998-6
SUPERCEDED BY 7-534998-6	60.96 [2.400]	63.50 [2.500]	50	2-534998-5
OBSOLETE	58.42 [2.300]	60.96 [2.400]	48	2-534998-4
	55.88 [2.200]	58.42 [2.300]	46	2-534998-3
OBSOLETE	53.34 [2.100]	55.88 [2.200]	44	2-534998-2
	50.80 [2.000]	53.34 [2.100]	42	2-534998-1
OBSOLETE	48.26 [1.900]	50.80 [2.000]	40	2-534998-0
	45.72 [1.800]	48.26 [1.900]	38	1-534998-9
OBSOLETE	43.18 [1.700]	45.72 [1.800]	36	1-534998-8
	40.64 [1.600]	43.18 [1.700]	34	1-534998-7
OBSOLETE	38.10 [1.500]	40.64 [1.600]	32	1-534998-6
	35.56 [1.400]	38.10 [1.500]	30	1-534998-5
OBSOLETE	33.02 [1.300]	35.56 [1.400]	28	1-534998-4
	30.48 [1.200]	33.02 [1.300]	26	1-534998-3
OBSOLETE	27.94 [1.100]	30.48 [1.200]	24	1-534998-2
	25.40 [1.000]	27.94 [1.100]	22	1-534998-1
OBSOLETE	22.86 [0.900]	25.40 [1.000]	20	1-534998-0
	20.32 [0.800]	22.86 [0.900]	18	534998-9
OBSOLETE	17.78 [0.700]	20.32 [0.800]	16	534998-8
	15.24 [0.600]	17.78 [0.700]	14	534998-7
OBSOLETE	12.70 [0.500]	15.24 [0.600]	12	534998-6
	10.16 [0.400]	12.70 [0.500]	10	534998-5
OBSOLETE	7.62 [0.300]	10.16 [0.400]	8	534998-4
	5.08 [0.200]	7.62 [0.300]	6	534998-3
OBSOLETE	2.54 [0.100]	5.08 [0.200]	4	534998-2
	-	2.54 [0.100]	2	534998-1

- 1 HOUSING: FLAME RETARDANT, GLASS FILLED, THERMOPLASTIC, COLOR: BLACK. CONTACT: PHOSPHOR BRONZE
- 2 CONTACT: DUPLEX PLATED 0.76µm [.000030] GOLD IN CONTACT AREA, 3.81-7.62µm [.000150-.000300] BRIGHT TIN-LEAD ON LEADS, ALL OVER 1.27µm [.000050] NICKEL
- 3 THESE DIMENSIONS PERTAIN TO CAVITY CENTERLINES ONLY - NOT TO CONTACT LOCATIONS
- 4 PART NUMBER AND DATE CODE ARE MARKED IN APPROXIMATE LOCATION SHOWN, EITHER SIDE.
- 5 TOLERANCE IS NON-CUMULATIVE.
- 6 2 POSITION DATE CODE IS MARKED OPPOSITE SIDE OF TE CONNECTIVITY LOGO.
- 7 POINT-OF-MEASUREMENT DIMENSION FOR PLATING THICKNESS (INSIDE CONTACT BEAM).
- 8 POINT-OF-CONTACT DIMENSION.
- 9 TE CONNECTIVITY TRADEMARK AND CSA LOGO ARE MOLDED INTO HOUSING, THIS LOCATION.
- 10 NO PART NUMBER MARKING REQUIRED FOR THIS PART.
- 11 CONTACT: DUPLEX PLATED 0.76µm [.000030] GOLD IN CONTACT AREA, 3.81-7.62µm [.000150-.000300] MATTE TIN ON LEADS, ALL OVER 1.27µm [.000050] NICKEL
- 12 ROHS 2002/95/EC COMPLIANT
- 13 OBSOLETE PARTS: OBSOLETE CIS STREAMLINING PER D.RENAUD/D.SINISI

OBSOLETE	99.06 [3.900]	101.60 [4.000]	80	4-534998-0
	96.52 [3.800]	99.06 [3.900]	78	3-534998-9
OBSOLETE	93.98 [3.700]	96.52 [3.800]	76	3-534998-8
	91.44 [3.600]	93.98 [3.700]	74	3-534998-7
	B	A	NO OF POSN	PART NUMBER

THIS DRAWING IS A CONTROLLED DOCUMENT.

DIMENSIONS: mm [INCHES]	TOLERANCES UNLESS OTHERWISE SPECIFIED:	DIN M. BINNER 06NOV02	TE Connectivity
0 PLC ± -	1 PLC ± ±	CHK J. JOLSON 06NOV02	RECEPTACLE ASSEMBLY, MOD IV, DOUBLE ROW, DUAL ENTRY, .100X.100CL, VERTICAL MOUNT, AMPMODU
2 PLC ± ±	3 PLC ± ±	APVD J. JOLSON 06NOV02	PRODUCT SPEC 108-25022
4 PLC ± ±	ANGLES ± ±	NAME J. JOLSON	APPLICATION SPEC 114-25018
MATERIAL 1	FINISH 2	WEIGHT -	SIZE A1
		CUSTOMER DRAWING	SCALE 4:1 SHEET 1 OF 2 REV P6

LOC		DIST		REVISIONS			
AD	00	P	LTR	DESCRIPTION	DATE	DN	APVD
-	-	-	-	SEE SHEET 1	-	-	-

	B	A	NO OF POSN	PART NUMBER
	88.90	91.44	72	8-534998-6
	[3.500]	[3.600]		
	86.36	88.90	70	8-534998-5
	[3.400]	[3.500]		
	83.82	86.36	68	8-534998-4
	[3.300]	[3.400]		
	81.28	83.82	66	8-534998-3
	[3.200]	[3.300]		
	78.74	81.28	64	8-534998-2
	[3.100]	[3.200]		
	76.20	78.74	62	8-534998-1
	[3.000]	[3.100]		
	73.66	76.20	60	8-534998-0
	[2.900]	[3.000]		
	71.12	73.66	58	7-534998-9
	[2.800]	[2.900]		
	68.58	71.12	56	7-534998-8
	[2.700]	[2.800]		
	66.04	68.58	54	7-534998-7
	[2.600]	[2.700]		
	63.50	66.04	52	7-534998-6
	[2.500]	[2.600]		
	60.96	63.50	50	7-534998-5
	[2.400]	[2.500]		
	58.42	60.96	48	7-534998-4
	[2.300]	[2.400]		
	55.88	58.42	46	7-534998-3
	[2.200]	[2.300]		
	53.34	55.88	44	7-534998-2
	[2.100]	[2.200]		
	50.80	53.34	42	7-534998-1
	[2.000]	[2.100]		
	48.26	50.80	40	7-534998-0
	[1.900]	[2.000]		
	45.72	48.26	38	6-534998-9
	[1.800]	[1.900]		
	43.18	45.72	36	6-534998-8
	[1.700]	[1.800]		
	40.64	43.18	34	6-534998-7
	[1.600]	[1.700]		
	38.10	40.64	32	6-534998-6
	[1.500]	[1.600]		
	35.56	38.10	30	6-534998-5
	[1.400]	[1.500]		
	33.02	35.56	28	6-534998-4
	[1.300]	[1.400]		
	30.48	33.02	26	6-534998-3
	[1.200]	[1.300]		
	27.94	30.48	24	6-534998-2
	[1.100]	[1.200]		
	25.40	27.94	22	6-534998-1
	[1.000]	[1.100]		
	22.86	25.40	20	6-534998-0
	[.900]	[1.000]		
	20.32	22.86	18	5-534998-9
	[.800]	[.900]		
	17.78	20.32	16	5-534998-8
	[.700]	[.800]		
	15.24	17.78	14	5-534998-7
	[.600]	[.700]		
	12.70	15.24	12	5-534998-6
	[.500]	[.600]		
	10.16	12.70	10	5-534998-5
	[.400]	[.500]		
	7.62	10.16	8	5-534998-4
	[.300]	[.400]		
	5.08	7.62	6	5-534998-3
	[.200]	[.300]		
	2.54	5.08	4	5-534998-2
	[.100]	[.200]		
	-	2.54	2	6-534998-1
		[.100]		

	B	A	NO OF POSN	PART NUMBER
	99.06	101.60	80	9-534998-0
	[3.900]	[4.000]		
	96.52	99.06	78	8-534998-9
	[3.800]	[3.900]		
	93.98	96.52	76	8-534998-8
	[3.700]	[3.800]		
	91.44	93.98	74	8-534998-7
	[3.600]	[3.700]		

THIS DRAWING IS A CONTROLLED DOCUMENT.

DIMENSIONS: mm [INCHES]	TOLERANCES UNLESS OTHERWISE SPECIFIED: 0. PLC ± - 1. PLC ± - 2. PLC ± 0.13[.005] 3. PLC ± - 4. PLC ± - ANGLES ± -	DIN M. BINNER 06NOV02 CHK J. JOLSON 06NOV02 APVD J. JOLSON 06NOV02	NAME RECEPTACLE ASSEMBLY, MOD IV, DOUBLE ROW, DUAL ENTRY, .100X.100CL, VERTICAL MOUNT, AMPMODU
MATERIAL	FINISH	SIZE A1 CAGE CODE 00779 DRAWING NO. 534998	RESTRICTED TO
CUSTOMER DRAWING		SCALE 4:1	SHEET 2 OF 2 REV P6