

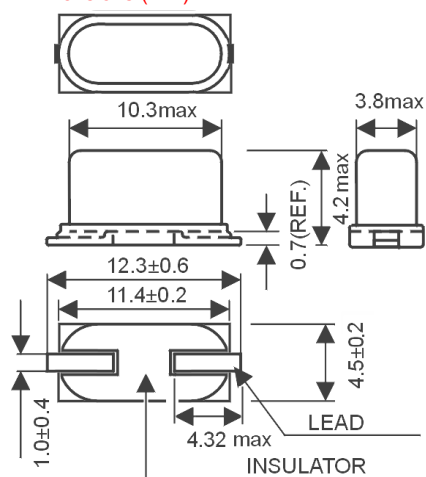


Quartz Crystal

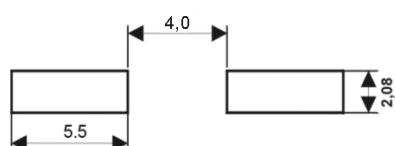
SMD-version

part no.	12.xxxxx																								
model	KX - K																								
frequency range	3.50 ~ 70.0 MHz																								
mode	fundamental, 3 rd overtone																								
operating temperature	standard -20° ~ +70°C available -40° ~ +85°C (=KX-KT)																								
frequency tolerance at +25°C	standard ±30 ppm, available ±10 ~ ±50 ppm																								
temperature tolerance at -20° ~ +70°C -40° ~ +85°C	standard ± 50 ppm, available ±15 ~ ± 50 ppm standard ±100 ppm, available ±25 ~ ±100 ppm																								
load capacitance C _L	standard: 16 pF, avail. 12 ~ 30 pF																								
series resistance R1 max.	<table border="0"> <tr> <td>fundamental</td> <td>3.5 ~ 3.99 MHz</td> <td>150 Ohm</td> </tr> <tr> <td></td> <td>4.0 ~ 5.99 MHz</td> <td>120 Ohm</td> </tr> <tr> <td></td> <td>6.0 ~ 7.99 MHz</td> <td>80 Ohm</td> </tr> <tr> <td></td> <td>8.0 ~ 9.99 MHz</td> <td>60 Ohm</td> </tr> <tr> <td></td> <td>10.0 ~ 40.0 MHz</td> <td>50 Ohm</td> </tr> <tr> <td>3rd overtone</td> <td>35.0 ~ 39.99 MHz</td> <td>100 Ohm</td> </tr> <tr> <td></td> <td>40.0 ~ 49.99 MHz</td> <td>80 Ohm</td> </tr> <tr> <td></td> <td>50.0 ~ 70.0 MHz</td> <td>50 Ohm</td> </tr> </table>	fundamental	3.5 ~ 3.99 MHz	150 Ohm		4.0 ~ 5.99 MHz	120 Ohm		6.0 ~ 7.99 MHz	80 Ohm		8.0 ~ 9.99 MHz	60 Ohm		10.0 ~ 40.0 MHz	50 Ohm	3 rd overtone	35.0 ~ 39.99 MHz	100 Ohm		40.0 ~ 49.99 MHz	80 Ohm		50.0 ~ 70.0 MHz	50 Ohm
fundamental	3.5 ~ 3.99 MHz	150 Ohm																							
	4.0 ~ 5.99 MHz	120 Ohm																							
	6.0 ~ 7.99 MHz	80 Ohm																							
	8.0 ~ 9.99 MHz	60 Ohm																							
	10.0 ~ 40.0 MHz	50 Ohm																							
3 rd overtone	35.0 ~ 39.99 MHz	100 Ohm																							
	40.0 ~ 49.99 MHz	80 Ohm																							
	50.0 ~ 70.0 MHz	50 Ohm																							
aging at +25°C (first year) max.	±2 ppm																								
shunt capacitance C ₀ max.	7.0 pF																								
drive level max.	0.1 mW																								
contents of reel	1000 pcs.																								

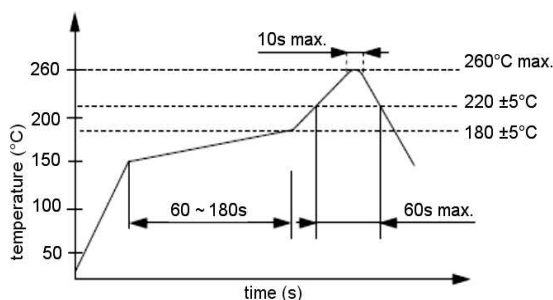
Dimensions (mm):



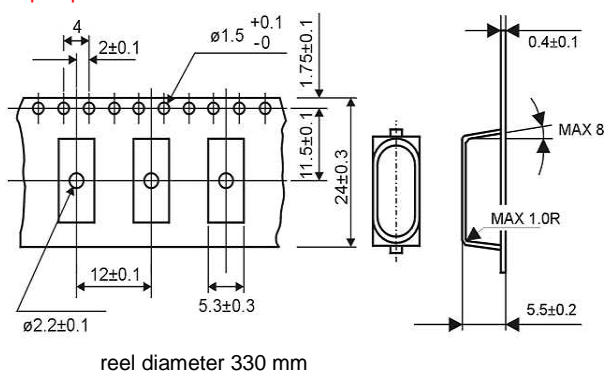
Suggested soldering pad:



Reflow soldering condition:



Tape specification:



reel diameter 330 mm