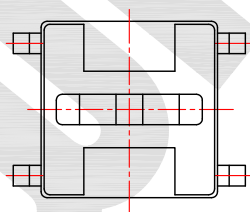
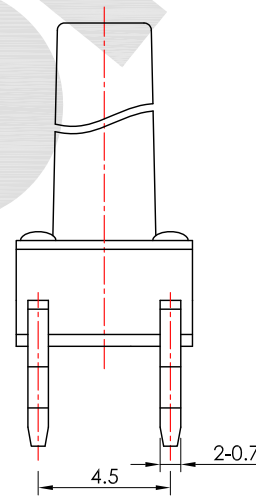
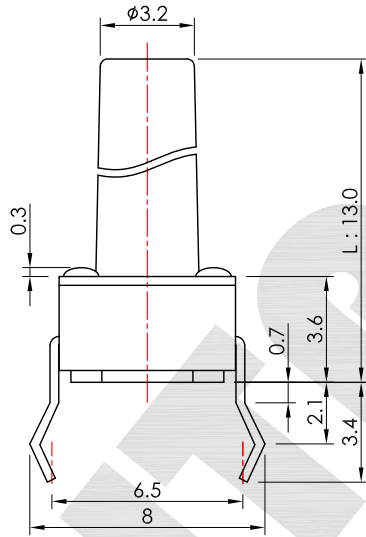
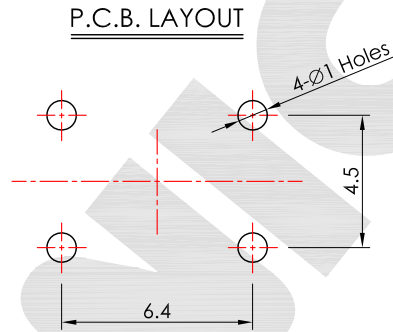
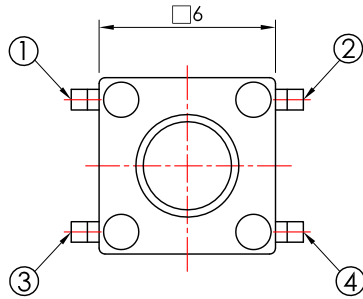


\*開關產品未經SWITRONIC同意，請勿拆解，否則無法負品質及安全責任。  
Please do not decompose the switch without any permission from SWITRONIC, otherwise the quality and safety responsibility could not be guaranteed.

\*本圖面若與目錄之規格尺寸不符，以本圖面規格尺寸為主。  
Below is our main specification if different from catalog.



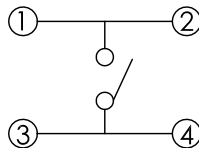
RoHS compliant

06XXXHIM-XXXG-G

**SPECIFICATION**

- Rating:** 50mA 12V DC Max.
- Circuit:** SPST.
- Function:** OFF-(ON).
- Travel:** 0.25±0.10mm.
- Contact resistance:** 100mΩ Max.(initial)
- Operating force:** 130±50g.
- Minimum load:** 10mA 3.3V DC.(reference only)
- Life:** 100,000 Cycles Min.
- Soldering temperature:** 250°C Max. for 3 sec.
- Soldering time:** 1 time only.
- Note 1:** Unwashable, don't be immersed by epoxy and organic solvent.
- Note 2:** Please check the actual size, do not sclae the drawing page.

**CIRCUIT DIAGRAM**



MODEL NO.	L
11	11.0
125	12.5
13	13.0
135	13.5
17	17.0

OPERATING FORCE
100, 130, 160, 250, 350



CV3.2	符號 SYMBOL	修改內容 ALTERATION	更新日期 DATE
CV3.1	無	改版	2015.04.09
CV3.0	無	新繪製	2012.09.06

<b>產品</b> PRODUCT		<b>Tact Switch</b>		<b>型號</b> MODEL NO.		<b>0613HIM-130G-G</b>	
比例 SCALE	4 : 1	單位 UNIT	mm	<div style="display: flex; justify-content: space-between; align-items: center;"> <div style="text-align: center;"> </div> <div style="text-align: center;"> </div> </div> <p style="text-align: center; margin-top: 10px;"><b>一綺電子企業股份有限公司</b></p> <p style="text-align: center; font-size: small;">總公司：110 台北市信義路四段415號13樓之3 13F-3 NO. 415, SEC. 4, HSIN YI ROAD, TAIPEI, TAIWAN TEL : 886-2-27290229 (Rep.) FAX : 886-2-27582086 URL : http://www.switronic.com.tw E-MAIL : switches@ms36.hinet.net</p>			
公差 TOLERANCE	±0.3mm						
製圖 DRAWN BY	核圖 CHECKED BY	主管 APPROVED BY					
Peter Kuo	Chuck Young	Margaret Lee					