

## CRYSTAL OSCILLATOR (SPXO)

OUTPUT : LV-PECL, LVDS

# SG3225EAN / VAN

# SG5032EAN / VAN

# SG7050EAN / VAN

- Achieved wide frequency range by PLL technology and Fundamental AT crystal units
- Frequency range : 73.5 MHz to 700 MHz
- Supply voltage : 2.5 V to 3.3 V
- Function : Output enable (OE)
- Output : LV-PECL or LVDS



## Product Number

SG3225EAN: X1G004251xxxx00  
 SG3225VAN: X1G004241xxxx00  
 SG5032EAN: X1G004271xxxx00  
 SG5032VAN: X1G004261xxxx00  
 SG7050EAN: X1G004291xxxx00  
 SG7050VAN: X1G004281xxxx00



SG3225EAN/VAN  
(3.2 × 2.5 × 1.05 mm)



SG5032EAN/VAN  
(5.0 × 3.2 × 1.0 mm)



SG7050EAN/VAN  
(7.0 × 5.0 × 1.4 mm)

## Specifications (characteristics)

Item	Symbol	Specifications		Conditions / Remarks
		LV-PECL SG3225EAN / SG5032EAN / SG7050EAN	LVDS SG3225VAN / SG5032VAN / SG7050VAN	
Output frequency range	$f_o$	73.5 MHz to 700 MHz		Please contact us about available frequencies.
Supply voltage	$V_{cc}$	K: 2.5 V - 10 % to 3.3 V + 10 %		
Storage temperature	$T_{stg}$	-40 °C to +125 °C		Storage as single product.
Operating temperature	$T_{use}$	B: -20 °C to +70 °C, G: -40 °C to +85 °C		
Frequency tolerance	$f_{tol}$	J: $\pm 50 \times 10^{-6}$ , E: $\pm 30 \times 10^{-6}$ , C: $\pm 20 \times 10^{-6}$		
Current consumption	$I_{cc}$	65 mA Max.	30 mA Max.	OE = $V_{cc}$ , L_ECL = 50 $\Omega$ or L_LVDS = 100 $\Omega$
Disable current	$I_{dis}$	20 mA Max.		OE = GND
Symmetry	SYM	45 % to 55 %		At outputs crossing point
Output voltage (LV-PECL)	$V_{OH}$	$V_{cc} - 1.0$ V to $V_{cc} - 0.8$ V	—	DC characteristics
	$V_{OL}$	$V_{cc} - 1.78$ V to $V_{cc} - 1.62$ V	—	
Output voltage (LVDS)	$V_{OD}$	—	250 mV to 450 mV	DC characteristics
	$dV_{OD}$	—	50 mV Max.	
	$V_{OS}$	—	1.15 V to 1.35 V	
	$dV_{OS}$	—	150 mV Max.	
Output load condition (ECL) / (LVDS)	L_ECL	50 $\Omega$	—	Terminated to $V_{cc} - 2.0$ V
	L_LVDS	—	100 $\Omega$	Connected between OUT to OUT
Input voltage	$V_{IH}$	70 % $V_{cc}$ Min.		OE terminal
	$V_{IL}$	30 % $V_{cc}$ Max.		
Rise time / Fall time	$t_r / t_f$	350 ps Max.	300 ps Max.	LV-PECL: Between 20 % and 80 % of ( $V_{OH} - V_{OL}$ ). LVDS: Between 20 % and 80 % of Differential Output peak to peak voltage
Start-up time	$t_{str}$	3 ms Max.		Time at minimum supply voltage to be 0 s
Phase Jitter	$t_{PJ}$	0.6 ps Max.*1		Offset frequency: 12 kHz to 20 MHz
Frequency aging	$f_{age}$	$\pm 5 \times 10^{-6}$ / year Max.		+25 °C, First year, $V_{cc} = 2.5$ V, 3.3 V

\*1 0.9 ps Max. ( $f_o = 243$  MHz ~ 250 MHz, 486 MHz ~ 500 MHz)

Product Name SG3225 EAN 156.250000MHz K J G A (⑤⑥: CG is not available)  
 (Standard form) ① ② ③ ④⑤⑥⑦

① Model ② Output (E: LV-PECL, V: LVDS) ③ Frequency ④ Supply voltage ⑤ Frequency tolerance  
 ⑥ Operating temperature ⑦ Internal identification code ("A" is default)

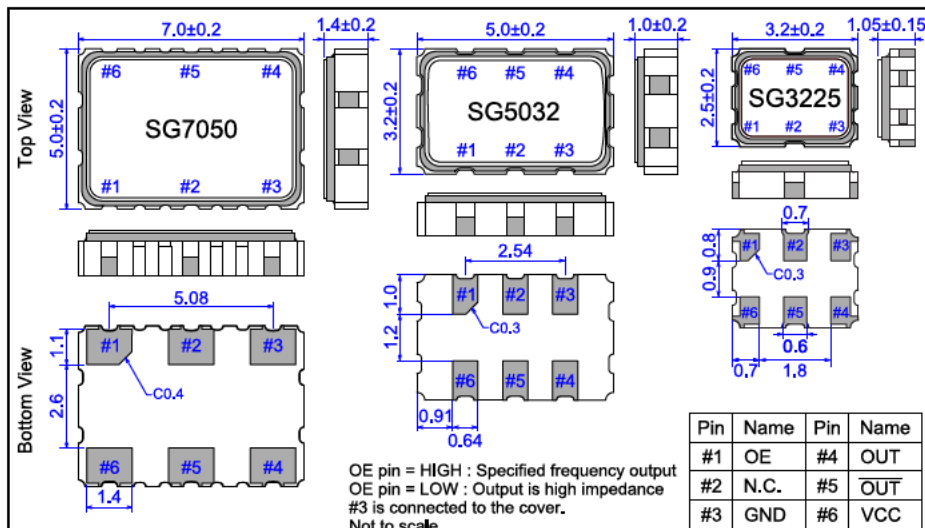
④ Supply voltage	
K	2.5 V ~ 3.3 V

⑤ Frequency tolerance	
J	$\pm 50 \times 10^{-6}$
E	$\pm 30 \times 10^{-6}$
C	$\pm 20 \times 10^{-6}$

⑥ Operating temperature	
B	-20 °C ~ +70 °C
G	-40 °C ~ +85 °C

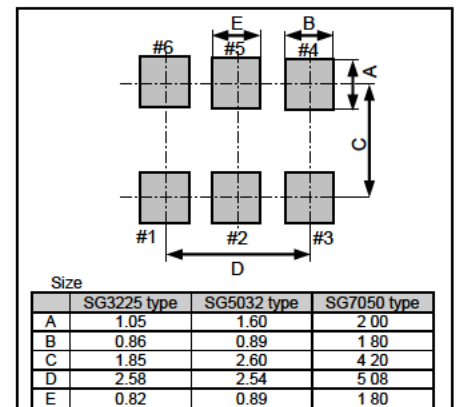
## External dimensions

(Unit: mm)



## Footprint (Recommended)

(Unit: mm)



To maintain stable operation, provide a 0.01  $\mu$ F to 0.1  $\mu$ F by-pass capacitor at a location as near as possible to the power source terminal of the crystal product (between  $V_{cc}$  - GND).

## PROMOTION OF ENVIRONMENTAL MANAGEMENT SYSTEM CONFORMING TO INTERNATIONAL STANDARDS

At Seiko Epson, all environmental initiatives operate under the Plan-Do-Check-Action (PDCA) cycle designed to achieve continuous improvements. The environmental management system (EMS) operates under the ISO 14001 environmental management standard.

All of our major manufacturing and non-manufacturing sites, in Japan and overseas, completed the acquisition of ISO 14001 certification.

ISO 14000 is an international standard for environmental management that was established by the International Standards Organization in 1996 against the background of growing concern regarding global warming, destruction of the ozone layer, and global deforestation.

## WORKING FOR HIGH QUALITY

In order provide high quality and reliable products and services than meet customer needs, Seiko Epson made early efforts towards obtaining ISO9000 series certification and has acquired ISO9001 for all business establishments in Japan and abroad. We have also acquired IATF 16949 certification that is requested strongly by major automotive manufacturers as standard.

IATF 16949 is the international standard that added the sector-specific supplemental requirements for automotive industry based on ISO9001.

### ► Explanation of the mark that are using it for the catalog

	► Pb free.
	► Complies with EU RoHS directive. *About the products without the Pb-free mark. Contains Pb in products exempted by EU RoHS directive. (Contains Pb in sealing glass, high melting temperature type solder or other.)
	► Designed for automotive applications such as Car Multimedia, Body Electronics, Remote Keyless Entry etc.
	► Designed for automotive applications related to driving safety (Engine Control Unit, Air Bag, ESC etc ).

NOTICE : PLEASE READ CAREFULLY BELOW BEFORE THE USE OF THIS DOCUMENT ©Seiko Epson Corporation 2020

1. The content of this document is subject to change without notice. Before purchasing or using Epson products, please contact with sales representative of Seiko Epson Corporation ("Epson") for the latest information and be always sure to check the latest information published on Epson's official web sites and resources.
2. This document may not be copied, reproduced, or used for any other purposes, in whole or in part, without Epson's prior consent.
3. Information provided in this document including, but not limited to application circuits, programs and usage, is for reference purpose only. Epson makes no guarantees against any infringements or damages to any third parties' intellectual property rights or any other rights resulting from the information. This document does not grant you any licenses, any intellectual property rights or any other rights with respect to Epson products owned by Epson or any third parties.
4. Using Epson products, you shall be responsible for safe design in your products; that is, your hardware, software, and/or systems shall be designed enough to prevent any critical harm or damages to life, health or property, even if any malfunction or failure might be caused by Epson products. In designing your products with Epson products, please be sure to check and comply with the latest information regarding Epson products (including, but not limited to this document, specifications, data sheets, manuals, and Epson's web site). Using technical contents such as product data, graphic and chart, and technical information, including programs, algorithms and application circuit examples under this document, you shall evaluate your products thoroughly both in stand-alone basis and within your overall systems. You shall be solely responsible for deciding whether to adopt/use Epson products with your products.
5. Epson has prepared this document carefully to be accurate and dependable, but Epson does not guarantee that the information is always accurate and complete. Epson assumes no responsibility for any damages you incurred due to any misinformation in this document.
6. No dismantling, analysis, reverse engineering, modification, alteration, adaptation, reproduction, etc., of Epson products is allowed.
7. Epson products have been designed, developed and manufactured to be used in general electronic applications and specifically designated applications ("Anticipated Purpose"). Epson products are NOT intended for any use beyond the Anticipated Purpose that requires particular quality or extremely high reliability in order to refrain from causing any malfunction or failure leading to critical harm to life and health, serious property damage, or severe impact on society, including, but not limited to listed below ("Specific Purpose"). Therefore, you are strongly advised to use Epson products only for the Anticipated Purpose. Should you desire to purchase and use Epson products for Specific Purpose, Epson makes no warranty and disclaims with respect to Epson products, whether express or implied, including without limitation any implied warranty of merchantability or fitness for any Specific Purpose. Please be sure to contact our sales representative in advance, if you desire Epson products for Specific Purpose:
  - Space equipment (artificial satellites, rockets, etc.)/ Transportation vehicles and their control equipment (automobiles, aircraft, trains, ships, etc.) / Medical equipment/ Relay equipment to be placed on sea floor/ Power station control equipment / Disaster or crime prevention equipment/Traffic control equipment/ Financial equipment
  - Other applications requiring similar levels of reliability as the above
8. Epson products listed in this document and our associated technologies shall not be used in any equipment or systems that laws and regulations in Japan or any other countries prohibit to manufacture, use or sell. Furthermore, Epson products and our associated technologies shall not be used for the purposes of military weapons development (e.g. mass destruction weapons), military use, or any other military applications. If exporting Epson products or our associated technologies, please be sure to comply with the Foreign Exchange and Foreign Trade Control Act in Japan, Export Administration Regulations in the U.S.A (EAR) and other export-related laws and regulations in Japan and any other countries and to follow their required procedures.
9. Epson assumes no responsibility for any damages (whether direct or indirect) caused by or in relation with your non-compliance with the terms and conditions in this document or for any damages (whether direct or indirect) incurred by any third party that you give, transfer or assign Epson products.
10. For more details or other concerns about this document, please contact our sales representative.
11. Company names and product names listed in this document are trademarks or registered trademarks of their respective companies.

# Mouser Electronics

Authorized Distributor

Click to View Pricing, Inventory, Delivery & Lifecycle Information:

## Epson:

[SG5032EAN 80.000000M-KEGA3](#) [SG3225EAN 150.000000M-KEGA3](#) [SG5032EAN 150.000000M-KEGA3](#)  
[SG5032EAN 400.000000M-KEGA3](#) [SG5032VAN 98.304000M-KEGA3](#) [SG3225VAN 155.52000M-KEGA3](#)  
[SG7050EAN 106.250000M-KEGA3](#) [SG7050EAN 156.250000M-KEGA3](#) [SG3225VAN 150.000000M-KEGA3](#)  
[SG3225VAN 80.000000M-KEGA3](#) [SG7050EAN 114.285000M-KEGA3](#) [SG3225EAN 80.000000M-KEGA3](#)  
[SG5032EAN 125.000000M-KEGA3](#) [SG3225VAN 250.000000M-KEGA3](#) [SG5032EAN 100.000000M-KEGA3](#)  
[SG7050VAN 212.500000M-KEGA3](#) [SG5032EAN 200.000000M-KEGA3](#) [SG7050EAN 200.000000M-KEGA3](#)  
[SG7050VAN 98.304000M-KEGA3](#) [SG3225EAN 400.000000M-KEGA3](#) [SG7050VAN 312.500000M-KEGA3](#)  
[SG3225VAN 114.285000M-KEGA3](#) [SG7050VAN 106.250000M-KEGA3](#) [SG7050EAN 100.000000M-KEGA3](#)  
[SG3225EAN 125.000000M-KEGA3](#) [SG3225EAN 106.250000M-KEGA3](#) [SG3225VAN 400.000000M-KEGA3](#)  
[SG5032VAN 80.000000M-KEGA3](#) [SG7050EAN 98.304000M-KEGA3](#) [SG5032VAN 100.000000M-KEGA3](#)  
[SG5032EAN 114.285000M-KEGA3](#) [SG5032EAN 98.304000M-KEGA3](#) [SG7050EAN 155.52000M-KEGA3](#)  
[SG5032VAN 155.52000M-KEGA3](#) [SG5032VAN 212.500000M-KEGA3](#) [SG3225EAN 200.000000M-KEGA3](#)  
[SG7050VAN 155.52000M-KEGA3](#) [SG3225EAN 100.000000M-KEGA3](#) [SG5032VAN 200.000000M-KEGA3](#)  
[SG3225VAN 156.250000M-KEGA3](#) [SG5032VAN 125.000000M-KEGA3](#) [SG7050EAN 80.000000M-KEGA3](#)  
[SG5032VAN 350.000000M-KEGA3](#) [SG3225VAN 350.000000M-KEGA3](#) [SG3225EAN 250.000000M-KEGA3](#)  
[SG7050EAN 350.000000M-KEGA3](#) [SG3225EAN 212.500000M-KEGA3](#) [SG7050VAN 100.000000M-KEGA3](#)  
[SG5032EAN 156.250000M-KEGA3](#) [SG7050EAN 212.500000M-KEGA3](#) [SG7050EAN 150.000000M-KEGA3](#)  
[SG5032VAN 156.250000M-KEGA3](#) [SG7050VAN 150.000000M-KEGA3](#) [SG7050VAN 200.000000M-KEGA3](#)  
[SG5032EAN 312.500000M-KEGA3](#) [SG5032VAN 106.250000M-KEGA3](#) [SG3225VAN 212.500000M-KEGA3](#)  
[SG7050VAN 350.000000M-KEGA3](#) [SG3225EAN 114.285000M-KEGA3](#) [SG3225EAN 98.304000M-KEGA3](#)  
[SG7050VAN 114.285000M-KEGA3](#) [SG7050VAN 80.000000M-KEGA3](#) [SG7050EAN 312.500000M-KEGA3](#)  
[SG7050VAN 250.000000M-KEGA3](#) [SG7050EAN 250.000000M-KEGA3](#) [SG5032VAN 114.285000M-KEGA3](#)  
[SG3225VAN 106.250000M-KEGA3](#) [SG3225VAN 100.000000M-KEGA3](#) [SG3225VAN 200.000000M-KEGA3](#)  
[SG5032EAN 350.000000M-KEGA3](#) [SG3225EAN 155.52000M-KEGA3](#) [SG5032EAN 106.250000M-KEGA3](#)  
[SG3225VAN 98.304000M-KEGA3](#) [SG5032VAN 400.000000M-KEGA3](#) [SG5032VAN 312.500000M-KEGA3](#)  
[SG3225EAN 350.000000M-KEGA3](#) [SG5032EAN 250.000000M-KEGA3](#) [SG7050EAN 400.000000M-KEGA3](#)  
[SG7050VAN 156.250000M-KEGA3](#) [SG7050EAN 125.000000M-KEGA3](#) [SG5032EAN 212.500000M-KEGA3](#)  
[SG3225VAN 125.000000M-KEGA3](#) [SG7050VAN 400.000000M-KEGA3](#) [SG3225EAN 312.500000M-KEGA3](#)  
[SG7050VAN 125.000000M-KEGA3](#) [SG5032VAN 250.000000M-KEGA3](#) [SG3225VAN 312.500000M-KEGA3](#)

[SG3225EAN 156.250000M-KEGA3](#) [SG5032EAN 155.52000M-KEGA3](#) [SG5032VAN 150.000000M-KEGA3](#)  
[SG3225EAN 156.250000M-KJGA3](#) [SG3225EAN 156.250000M-KJGAB](#) [SG3225VAN 100.000000M-KJBA3](#)  
[SG3225VAN 156.250000M-KCBA3](#) [SG3225VAN 156.250000M-KCBAB](#) [SG3225VAN 156.250000M-KJGAB](#)  
[SG3225VAN 243.000000M-KEGAX](#) [SG3225VAN 297.000000M-KJGA3](#) [SG3225VAN 297.000000M-KJGAB](#)  
[SG3225VAN 625.000000M-KJGAB](#)