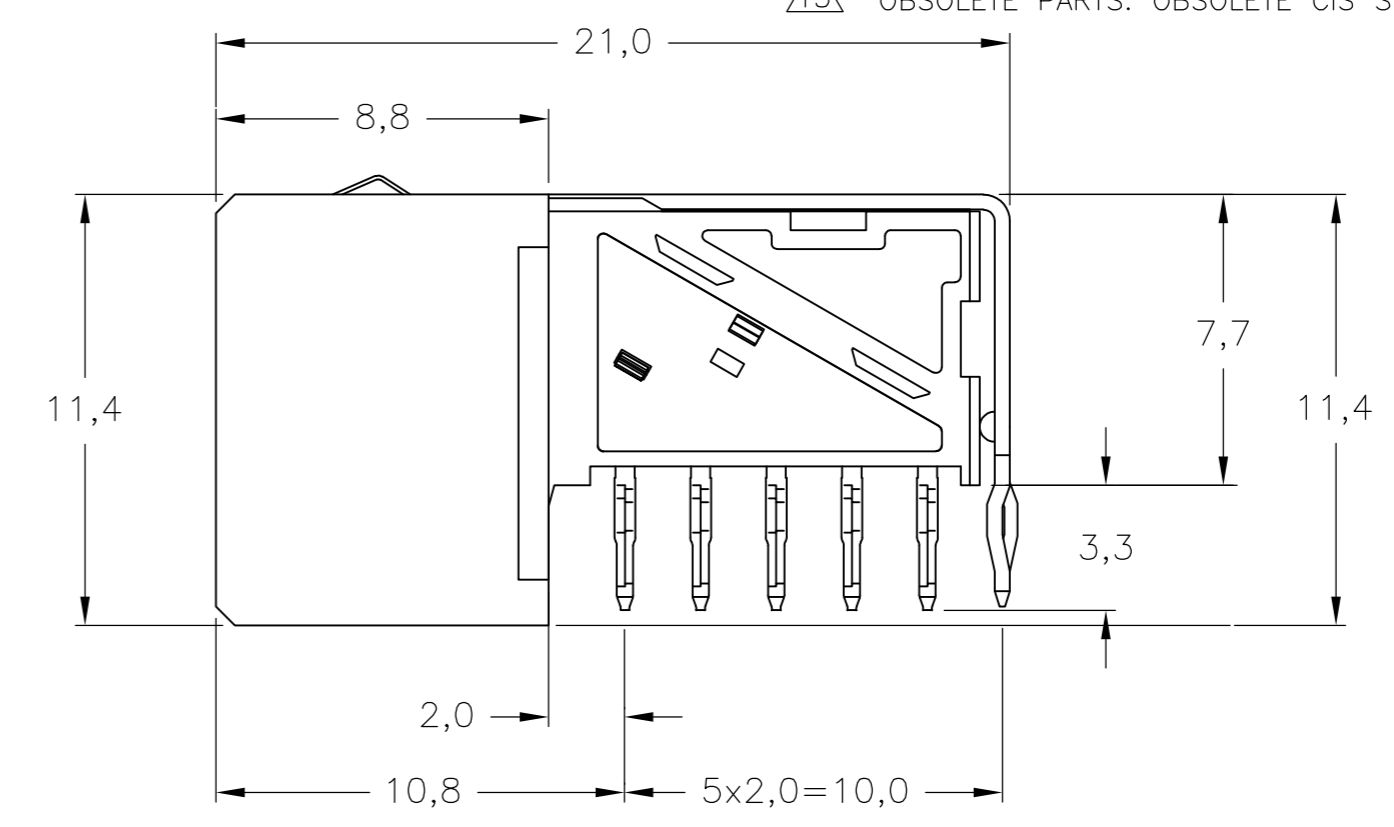
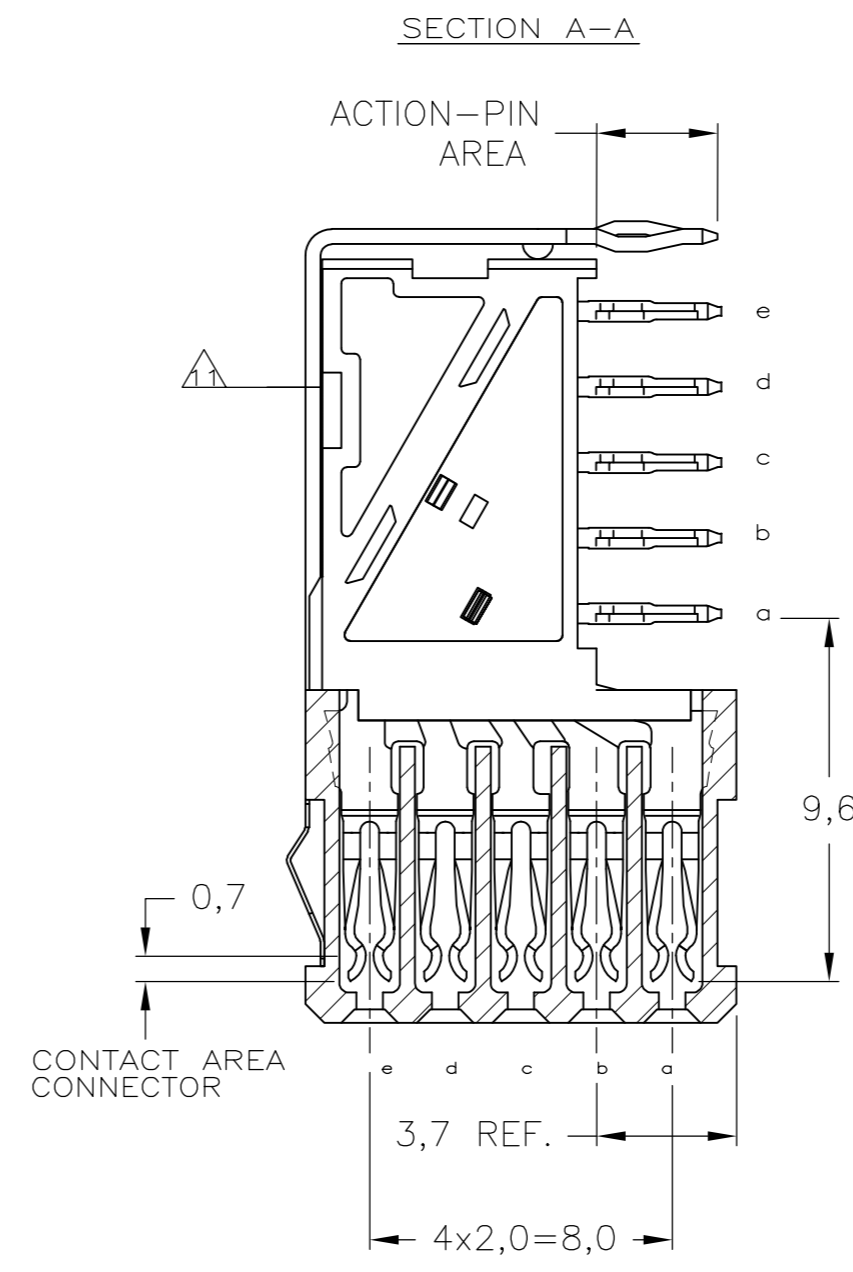
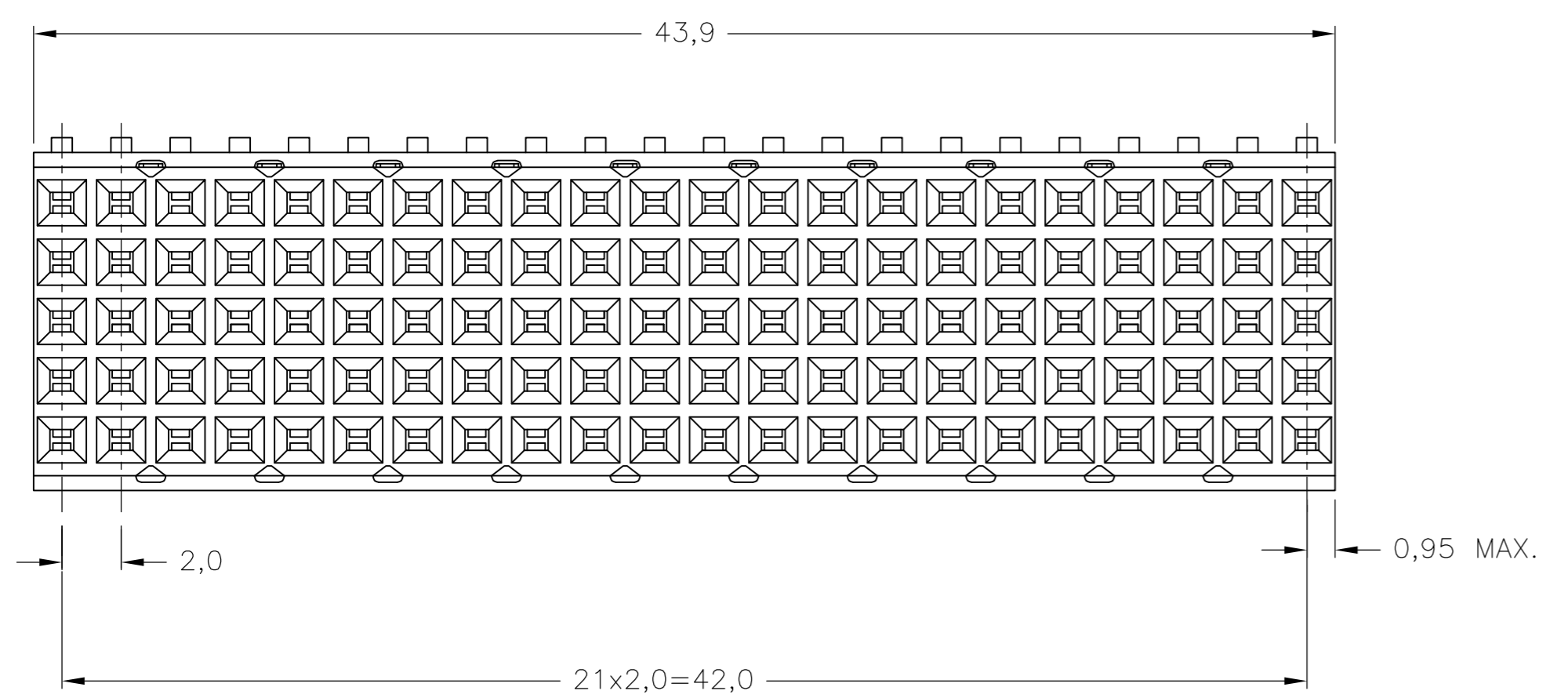
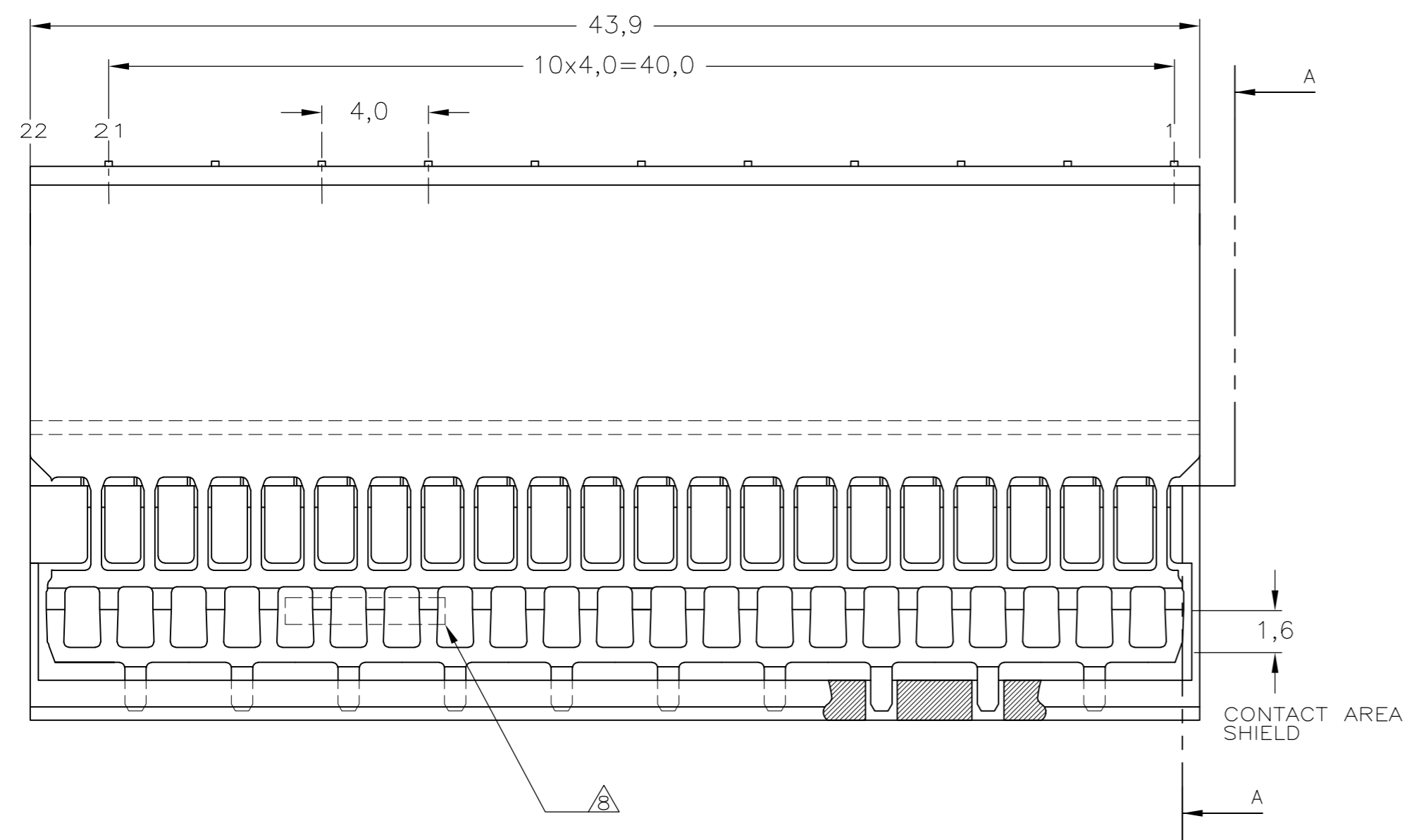


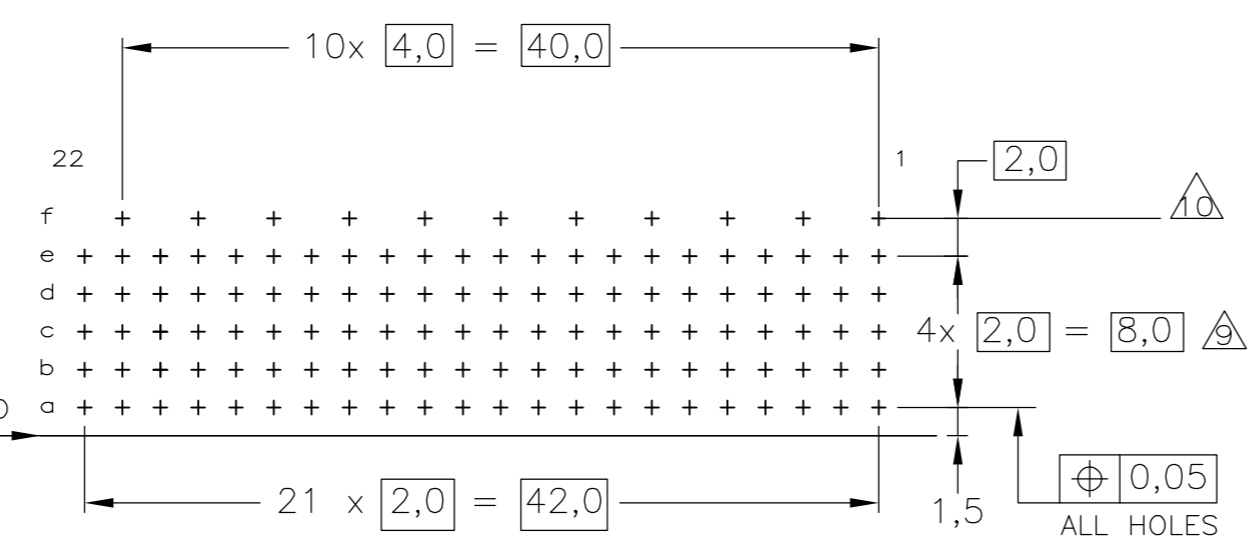
THIS DRAWING IS UNPUBLISHED. RELEASED FOR PUBLICATION  
 © COPYRIGHT - By - ALL RIGHTS RESERVED.

Loc		DIST		REVISIONS			
P	LTR	DESCRIPTION	DATE	DWN	APVD		
C1		REVISED PER ECO-11-005033	26MAR11	RK	HMR		



- NOTES:
- △ MATERIAL CONTACTS; PHOSPHORBRONZE
  - △ MATERIAL HOUSING; GLASSFILLED POLYESTER (GRAY)
  - △ GENERAL PLATING SPECIFICATION: UNDERPLATING (ENTIRE CONTACT):  
1,27µm NICKEL MIN. AND ACTION PIN: 0,5µm TIN MIN.  
FOR PLATING OF MATING SURFACES SEE APPLICABLE SPECIFICATION REFERENCE FOR EACH DASH NUMBER.
  - △ CONFORMS TO ALL TESTING ACCORDING IEC 61076-4-101 PERFORMANCE LEVEL 2.
  - △ CONFORMS TO ALL TESTING ACCORDING IEC 61076-4-101 PERFORMANCE LEVEL 1.
  - △ CONNECTOR TESTED AND QUALIFIED AGAINST TELCORDIA GR-1217-CORE QUALITY LEVEL III, CENTRAL OFFICE APPLICATIONS.
  - △ CONNECTOR LUBRICATED WITH TELCORDIA GR-1217-CORE APPROVED LUBRICANT.
  - △ PLATING SHIELD:  
CONTACT AREA: 0,76µm Au MIN.  
ACTION PIN : 0,5µm Sn MIN.  
REMAINDER : Ni
  - △ ASSEMBLY PRINTED WITH P/N AND DATECODE  
THE MARKING CAN APPEAR ON THE FRONT SIDE OR BACK SIDE.
  - △ HOLE PATTERN FOR FEMALE CONNECTOR TYPE B-22 COLUMNS  
110 PLATED-THROUGH HOLES AT 2x2mm SQUARE GRID
  - △ ROW "f" 11 PLATED THROUGH HOLES FOR UPERSHIELD  
SHIELD MOUNTED ON CONNECTOR WITH DOUBLE SIDED ADHESIVE TAPE OR ADHESIVE
  - 12 BASIC P.N. LOWERSHIELD : 5352468.
  - △13 OBSOLETE PARTS: OBSOLETE CIS STREAMLINING PER D.RENAUD/D.SINISI

COMPONENT SIDE AS SHOWN  
 RECOMMENDED PCB-HOLE LAY-OUT  
 SCALE 2,5:1



P.C.B. HOLE DIM. ACTION PIN  
 FOR DETAILS SEE  
 APPLICATION SPECIFICATION

△13 OBSOLETE	△6△6△	△	5352152-9
	△4△4	△	5352152-4
	△3△3	△	5352152-1
	FINISH	MATERIAL	PART NUMBER

THIS DRAWING IS A CONTROLLED DOCUMENT.

DIMENSIONS: mm	TOLERANCES UNLESS OTHERWISE SPECIFIED: ±0.2	DWN: K.N.KIRAN 20AUG2004		Z-PACK 2mm HM TYPE B - 22 COLUMNS PRE-SHIELDED RECEPTACLE
		CHK: B.MOOIJ 27OCT2004		
		APVD: B.MOOIJ 27OCT2004		
		PRODUCT SPEC: 108-19082		
MATERIAL: -	FINISH: -	APPLICATION SPEC: 114-19029	NAME: -	RESTRICTED TO: -
		WEIGHT: -	SIZE: A2	CAGE CODE: 00779
		CUSTOMER DRAWING	DRAWING NO: C=5352152	SCALE: 5:1
			SHEET: 1 of 1	REV: C1