

Cermet Potentiometer Series

KLS4-3296 Cermet Potentiometer Series

Electrical Characteristics

Standard Resistance Range: 10Ω~ 2MΩ
 Resistance Tolerance:±10%
 Terminal Resistance:≤1% R or 2Ω Max.
 Contact resistance variation:CRV ≤3% R or 5Ω Max
 Insulation Resistance: $R_i \geq 1G\Omega$
 Withstand Voltage:101.3kPa 600V,8.5kPa 360V
 Wiper Current Max.: 100mA
 Electrical Travel:30±2 turns nom

Environment Characteristics

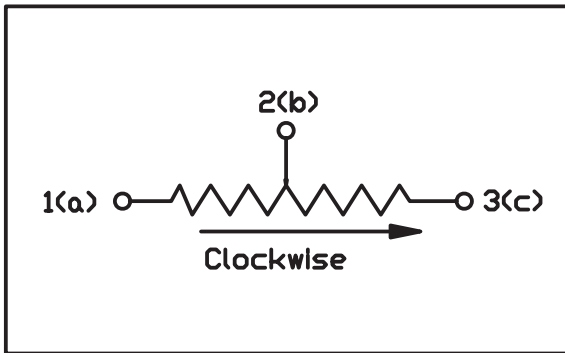
Power Rating (300 volts max.):+70°C 0.5W,+125°C 0W
 Temperature Range:-55°C ~ +125°C
 Temperature Coefficient:±250ppm/°C;±100ppm/°C
 Temperature Variation: $\Delta R \leq \pm 2\% R, \Delta(U_{ab} / U_{AC}) \leq \pm 1\%$
 Vibration:390m/s²,4000 times $\Delta R \leq \pm 1\% R$
 Collision:10 ~ 500Hz,0.75mm,or 98m/s²,6h, $\Delta R \leq \pm 1\%, R \Delta(U_{ab} / U_{AC}) \leq \pm 2\%$
 Climate Category: $\Delta R \leq \pm 3\% R, R_i \geq 100M\Omega$
 Electrical Endurance at 70°C: 0.5W,1000h, $\Delta R \leq \pm 3\% R$
 Mechanical Endurance:200cycles, $\Delta R \leq \pm 10\% R, CRV \leq 3\% R$ or 5Ω
 Steady Damp-Heat: $\Delta R \leq \pm 3\% R, R_i \geq 100M\Omega$

Physical Characteristics

Total mechanical travel:30±2 turns nom
 Starting torque:≤35mN.m
 Standard packaging:50pcs/tube



IV



| Resistance (Ω) | Code |
|----------------|------|
| 10 | 100 |
| 20 | 200 |
| 50 | 500 |
| 100 | 101 |
| 200 | 201 |
| 500 | 501 |
| 1000 | 102 |
| 2000 | 202 |
| 10000 | 103 |
| 20000 | 203 |
| 50000 | 503 |
| 100000 | 104 |
| 200000 | 204 |
| 500000 | 504 |
| 1000000 | 105 |
| 2000000 | 205 |

ORDER INFORMATION

Product NO.: KLS4-3296 W-103

Pos. NO. _____ 103:Resistance Code
 3296:Model _____ W:Style

Cermet Potentiometer Series

KLS4-3296 Cermet Potentiometer Series

IV

