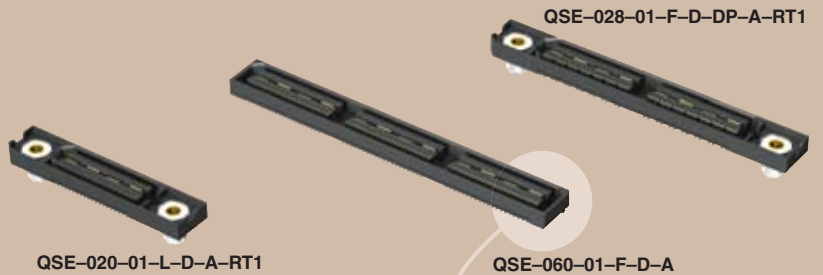




(0,80mm) .0315"

QSE SERIES



HIGH SPEED GROUND PLANE SOCKET



- E.L.P.™ plating option (-C)
- Retention pin option

SPECIFICATIONS

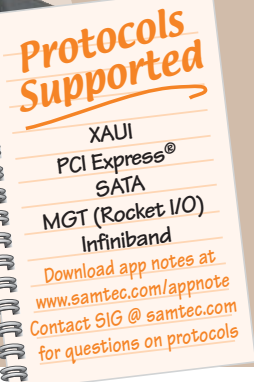
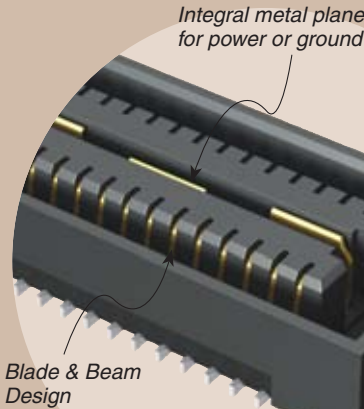
For complete specifications and recommended PCB layouts see www.samtec.com?QSE

- Insulator Material:** Liquid Crystal Polymer
- Terminal Material:** Phosphor Bronze
- Plating:** Au or Sn over 50µ" (1,27µm) Ni
- Current Rating:** Contacts: 1.3A @ 95°C
Ground Plane: 10.1A @ 95°C
- Operating Temp Range:** -55°C to +125°C
- Voltage Rating:** 225 VAC (5mm Stack Height)
- Max Cycles:** 100
- Unmating Force (-RT1 option):** -RT1 option increases unmating force up to 50%
- RoHS Compliant:** Yes



Board Mates: QTE

Cable Mates: EQCD, EQSD, EQDP, EQRF (See Application Specific note)



5mm Stack Height	Type	Rated @ 3dB Insertion Loss
Single-Ended Signaling	-D	9 GHz / 18 Gbps
Differential Pair Signaling	-D	8 GHz / 16 Gbps
Differential Pair Signaling	-DP	8.5 GHz / 17 Gbps

Performance data for other stack heights and complete test data available at www.samtec.com?QSE or contact sig@samtec.com

ALSO AVAILABLE

Board Spacing Standoffs. See SO Series.

Processing:

- Lead-Free Solderable:** Yes
- SMT Lead Coplanarity:** (0,10mm) .004" max (020-060) (0,15mm) .006" max (080)
- Board Stacking:** For applications requiring more than two connectors per board or 4 banks or more, contact ipg@samtec.com

APPLICATION SPECIFIC OPTION

- 14mm, 15mm, 22mm and 30mm stack height (Caution: Some automatic placement/inspection machines may have component height restrictions. Please consult machinery specifications.)
 - 30µ" (0,76µm) Gold (Specify -H plating for Data Rate cable mating applications.)
 - Edge Mount
 - 100 positions per row
 - Guide Posts and Friction Lock options.
- Call Samtec.



-020, -040, -060, -080
(40 total pins per bank = -D)

-014, -028, -042, -056
(14 pairs per bank = -D-DP)

-F
= Gold Flash on Signal Pins and Ground Plane, Matte Tin on tails

-L
= 10µ" (0,25µm) Gold on Signal Pins and Ground Plane, Matte Tin on tails

-C*
= Electro-Polished Selective
50µ" (1,27µm) min Au over 150µ" (3,81µm) Ni on Signal Pins in contact area, 10µ" (0,25µm) min Au over 50µ" (1,27µm) Ni on Ground Plane in contact area, Matte Tin over 50µ" (1,27µm) min Ni on all solder tails

-D
= Single-Ended

-D-DP
= Differential Pair (-01 only)

-K
= (8,25mm) .325" DIA Polyimide Film Pick & Place Pad

-TR
= Tape & Reel Packaging (N/A on 56 & 80 positions)

-RT1
= Retention Option (N/A on 56 & 80 positions or -L (latch) option)

-L
= Latching Option (N/A on 42, 56, 60 & 80 positions or -RT1 option)

QTE LEAD STYLE	MATED HEIGHT WITH QSE*
-01	(5,00) .197
-02	(8,00) .315
-03	(11,00) .433
-04	(16,00) .630
-05	(19,00) .748
-07	(25,00) .984

*Processing conditions will affect mated height.

*Note: -C Plating passes 10 year MFG testing

Note: Some lengths, styles and options are non-standard, non-returnable.

Due to technical progress, all designs, specifications and components are subject to change without notice.

WWW.SAMTEC.COM