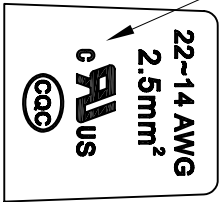
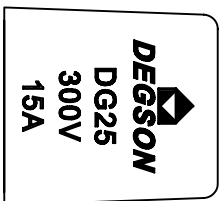
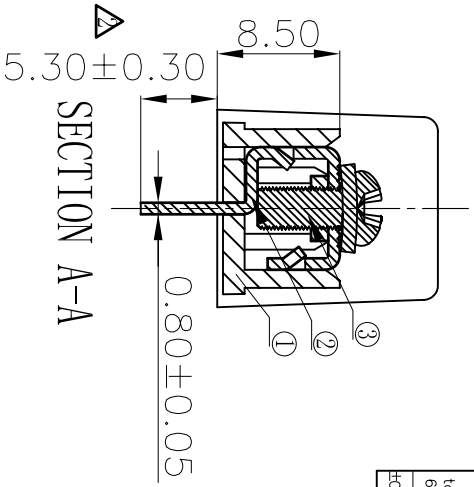
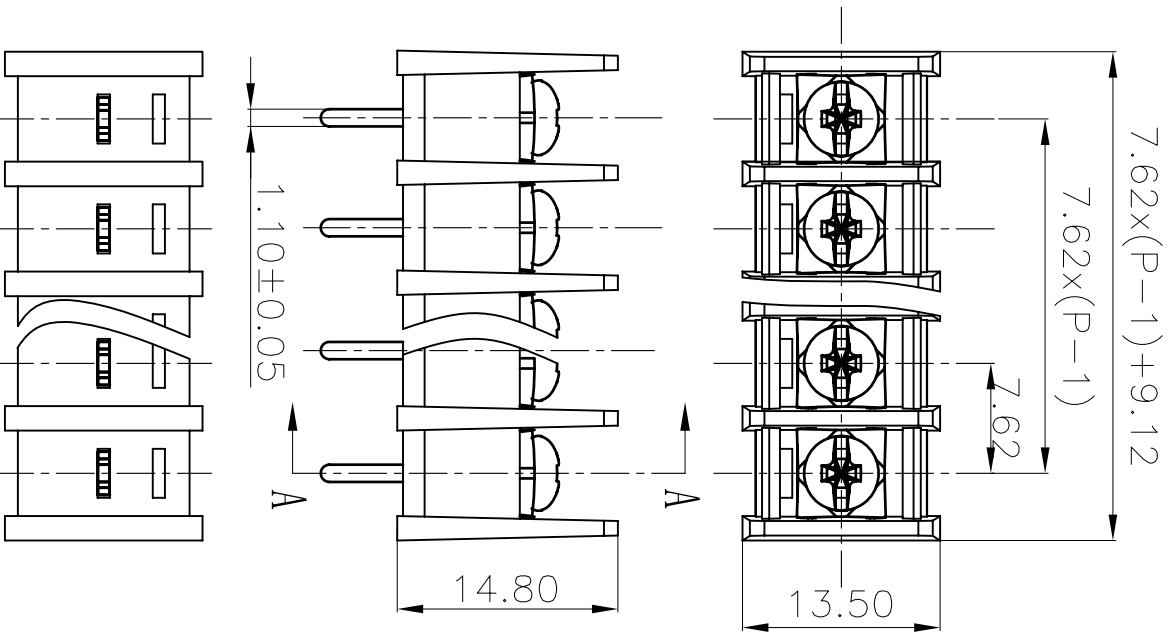


REVISION RECORD			
REV/ECO	DESCRIPTION	DRFT	DATE
△	图纸更新	CSX	07/18/06*
△	增加U1刻字	Yeji	11/06/06*

NOTES:

1. Pitch: 7.62mm
2. Rated current: 15A
3. Rated voltage: 300V
4. Operation temperatures: -40° C~+105° C
5. Insulation Withstand Voltage: AC2000V/1min
6. Insulation Resistance: 500MΩ /DC500V
7. Wire Range: 22~14AWG
8. Max. Torque: 5.10kgf.cm
9. Undimensioned Tolerances:

Pitch range in mm	Nominal dimension range in mm	
over 6 to 10	over 6 to 30	—
over 10 to 24	over 30 to 90	∩
over 24 to 30	over 90 to 200	□
over 30 to 480	over 200 to 480	□
±0.10 to ±0.15	±0.25 to ±0.1	±0.5 to ±0.7
	±0.2 to ±0.3	±0.5 to ±0.7
	±0.5 to ±0.7	±0.5 to ±0.7



ITEM	NAME OF PART	QTY	MATERIAL	NOTES
3	3#6 bright-Screw	XX	Steel	Ni Plated
2	DG25C-Pin Header	XX	Brass	SnCe
1	DG25C Housing	1	PA66	UL94V-0

DEGSON		宁波高正电子有限公司	
DEGSON		DEGSON ELECTRONICS CO., LTD	
NAME		DG25C-B-XXP-1Y-00A(H)	
DRAWING NO.		DG25C-E16	
/PART NO.		A3	
SIZE		REV	
A3		T2	
11/06/06*			

DETACHED LISTS	
0 ±	±
.00 ±	±
.000 ±	±
ANGLES ± 1°	
THIRD ANGLE PROJECTION	
SCALE :	
DO NOT SCALE DRAWING	