

E-tec offers any configuration.

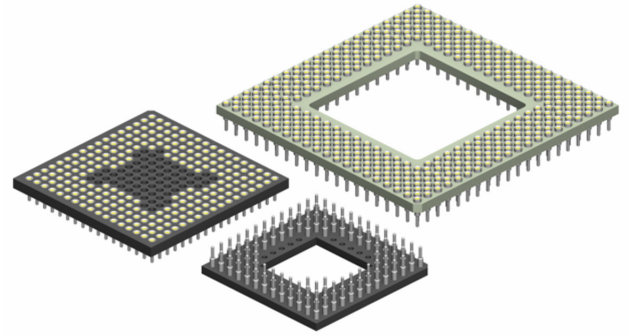
You may choose between open frame and closed frame socket bodies.

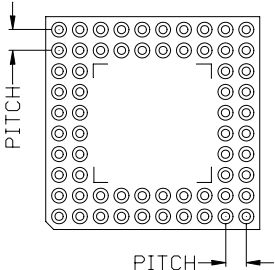
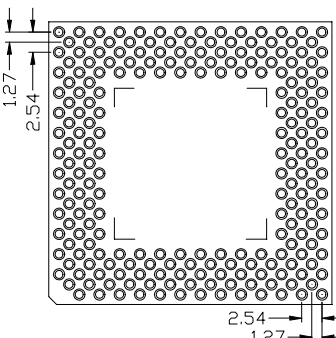
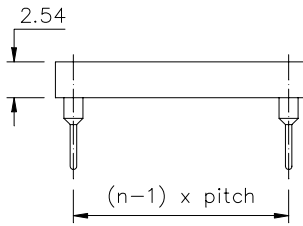
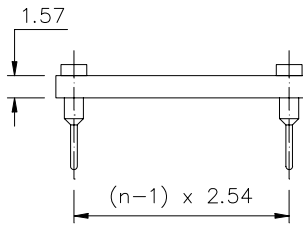
The E-tec PGA sockets with Insulator code "S" will be supplied either in plastic or FR4 Epoxy depending on material availability.

If you wish to receive the sockets in FR4 Epoxy material only, then you need to specify the code "E" in the order code.

If you only accept plastic, then you have to request E-tec for availability first.

All interstitial PGA (PGI) and Mini-Grid sockets (MGS) in any grid size and standard PGA sockets with grid size 19x19 or higher are delivered in FR4 Epoxy only.



Series PGA & MGS	Series PGI Interstitial zig-zag pitch	Plastic insulator dimensions	Epoxy FR4 insulator dimensions For PGI Sockets generally
<p>Pitch 1.27mm (.050") or 2,54mm (.100")</p> 	<p>2,54mm/1,27mm (.100"/.050")</p> 		

Specifications

Mechanical data		Electrical data	
Insertion force (avg) Extraction force (standard) Contact life Solderability Water absorption during 24hrs at 20°C	0,70 N for PGA / 0,40 N for PGI 0,25 N for PGA / 0,15 N for PGI min. 100 cycles exceeds MIL-STD-202 Method 208 0,05%	Contact resistance at 1A Current rating Contact capacitance at 1MHz Insulation resistance at 500V DC (MIL-STD-1344 Method 3003) Breakdown voltage at 60 Hz (MIL-STD-1344 Method 3001.1)	4,3 mΩ typ. 1A max. 100V 2 pF max. 5 × 10 ⁹ Ω min. 1 KV min.
Material Insulator: "S" version (RoHS compliant) standard temp PBT plastic UL 94 V-0 "E" version (RoHS compliant) Glass Epoxy FR 4 Terminal (RoHS compliant) CuZn Contact (RoHS compliant) BeCu		Contact resistance after 1000 ins./ext. cycles ≤7 mΩ Operating temperature -55°C to +125°C	

How to order

XXX - xxx - X xxx - xx X - xx

