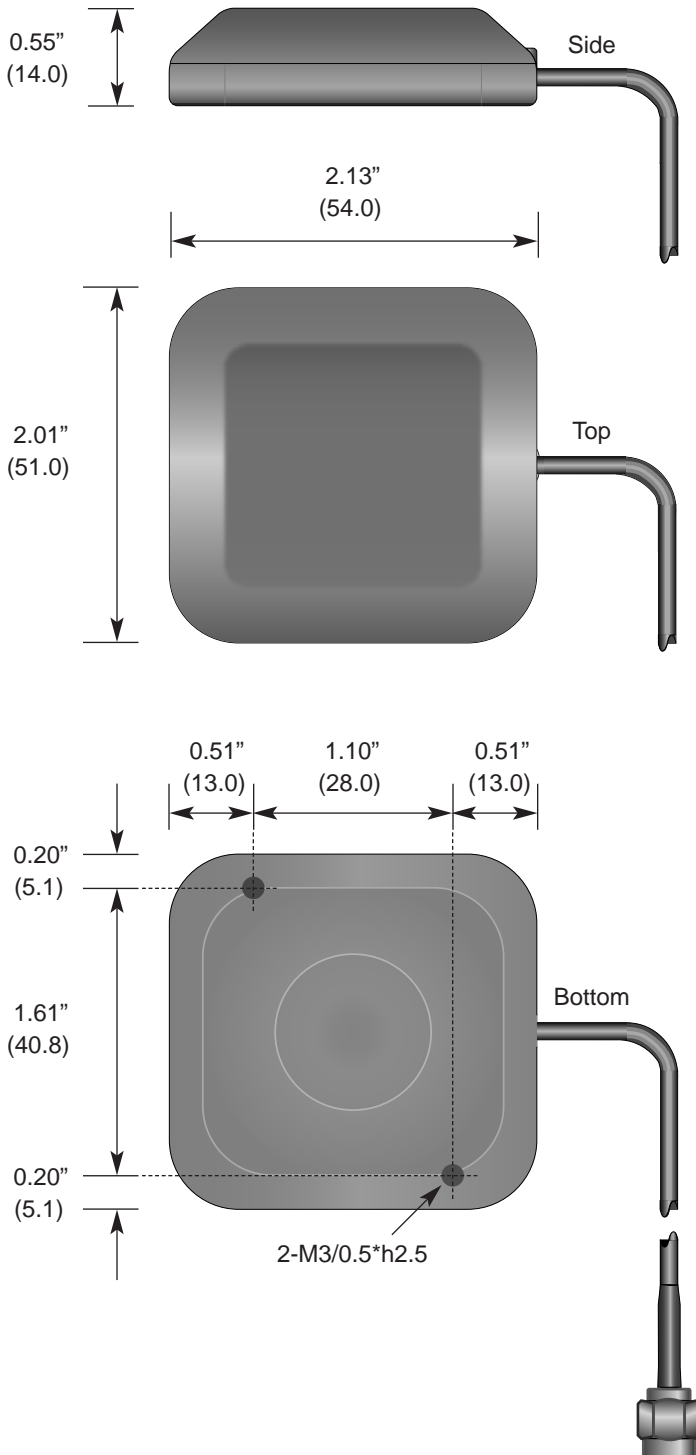


### Product Dimensions



### Description



Linx SE GPS antennas deliver high-gain and low-noise performance in a rugged and cosmetically attractive package. They feature a wide operating temperature, wide operating voltage, and very low current consumption. The antennas attach via a standard SMA, Part 15 compliant RP-SMA, or MCX connector

### Features

- Compact
- High-gain, low-noise design
- Very low current consumption
- Wide operating voltage
- Wide operating temperature
- Fully weatherized
- Rugged & damage-resistant
- Magnetic or screw mount

### Electrical Specifications

- Center Freq. 1575.42MHz
- Freq. Tolerance +/-1.1MHz
- Impedance 50 ohms
- VSWR 2 maximum
- Ant. Gain 90° 3.0dBi
- Polarization RHCP
- System Gain 26-33dBi
- Noise 1.8dB maximum
- Input Voltage 3.3-5.0 VDC
- Power Consum. 4-9mA
- Oper. Temp. -40°F to +185°F (-40°C to +85°C)
- Mounting Magnetic or screw
- Cable RG-174U
- Cable Length 117" +/-6" (3m)
- Connector RP-SMA, SMA, MCX

### Ordering Information

- ANT-GPS-SE-RPS (with RP-SMA connector)
- ANT-GPS-SE-SMA (with SMA connector)
- ANT-GPS-SE-MCX (with MCX connector)