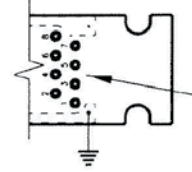


Kit38204 and Kit40771 include:



**IMPORTANT NOTE**

With these receptacles, you will have to solder your own cable on the PCB. So the wire positions have to be defined according to your network.

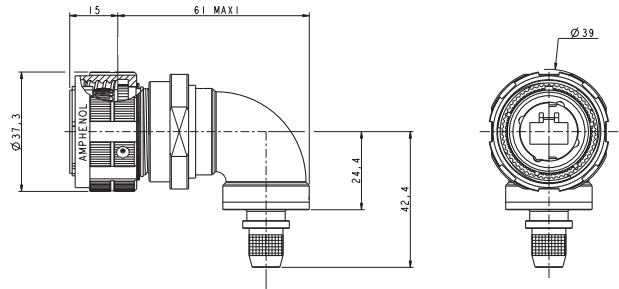


WIRE POSITION TO BE DEFINED BY CUSTOMER ACCORDING TO NETWORK

**Plug - Straight backshell**



**Plug - Right angle backshell**



Part number	Plating	P/N
	Nickel - ROHS compliant	Kit38081NI
	Olive drab cadmium	Kit38081
	Green zinc cobalt - ROHS compliant	Kit38081ZC
	Black zinc cobalt - ROHS compliant	Kit38081BZC

Part number	Plating	P/N
	Nickel - ROHS compliant	Kit40792NI
	Olive drab cadmium	Kit40792
	Green zinc cobalt - ROHS compliant	Kit40792ZC
	Black zinc cobalt - ROHS compliant	Kit40792BZC

Kit38081 and Kit40792 include:



**IMPORTANT NOTE**

With these plugs, the standard RJ45 plug is not provided. Customer will have to crimp a standard RJ45 on the cable by himself.

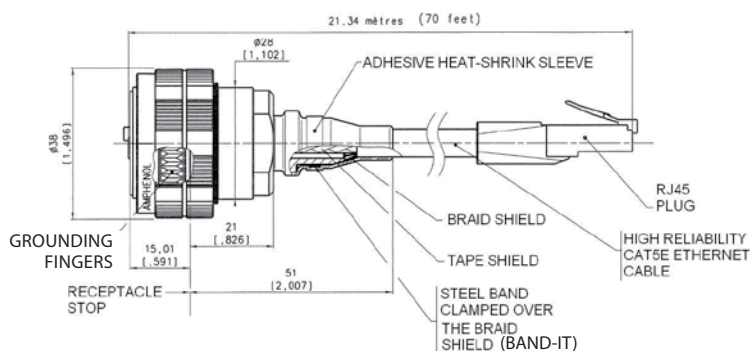
**Remark:** we advise using our double shielded, reinforced Cat5E, Cat6, or Cat6A cables (see pages 41-42-43) with these RJFTV series EMI connectors.

If customer wants to use his own cable, please check with us regarding compatibility with our backshells: [contact@rjfield.com](mailto:contact@rjfield.com).

We also provide assembled cordsets (**see examples below**).

For this type of solution please provide the configuration needed: length, description of second end...

**Example of assembled cordset:**



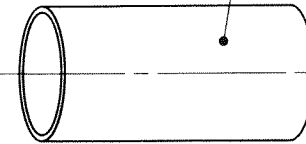
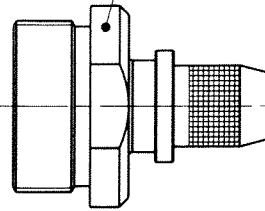
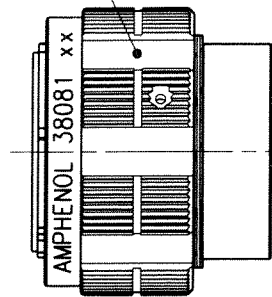
DANS LE BUT CONSTANT D'AMELIORER SES PRODUITS, Amphenol Socopex se reserve le droit d'en modifier toute cote ou caracteristique.  
[IMP.007.B]

PLUG BODY

2 INSERTS

BACKSHELL BODY

HEAT-SHRINK SLEEVE



BAND

SPRING FINGERS

∅28

[1,102]

RJF SFTP ∅7 CABLE

∅38

[1,496]

15,01

[,591]

39

[1,535]

RECEPTACLE STOP

kit 38081 (RJF TV 6 35 G type)

APPROBATION CLIENT  
CUSTOMER APPROVAL

MODIFICATIONS	A	Plan original	ECHELLE
			/

Amphenol Socopex

BP 29 - 74311 THYEZ CEDEX

DESSIN: TUPIN LE: 16/03/04

TECHNIQUE: Y. Guillot 03.16.04

A

190-PLC-054-00 1/1