

4

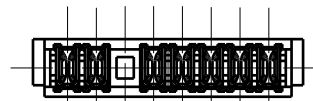
3

2

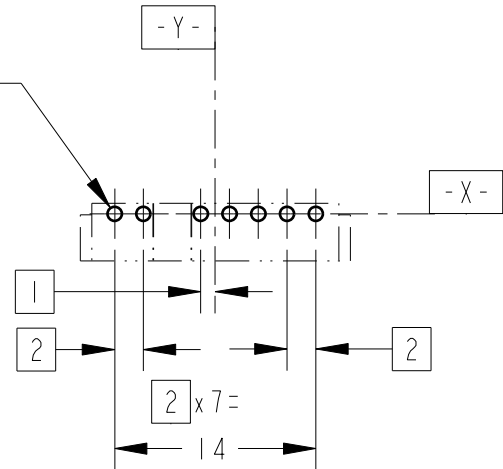
1

THIS DRAWING IS UNPUBLISHED. RELEASED FOR PUBLICATION 20  
© COPYRIGHT 20 BY TYCO ELECTRONICS CORPORATION. ALL RIGHTS RESERVED.

| LOC | DIST | REVISIONS   |                           |           |         |
|-----|------|-------------|---------------------------|-----------|---------|
| P   | LTR  | DESCRIPTION | DATE                      | DWN       | APVD    |
| ES  | -    | A           | RELEASED                  | 04JUL05   | T.K T.K |
|     |      | A3          | REVISED PER ECR-09-000157 | 08JAN2009 | S.W S.Y |
|     |      | B           | REVISED PER ECR-09-020441 | 01SEP2009 | S.W S.Y |

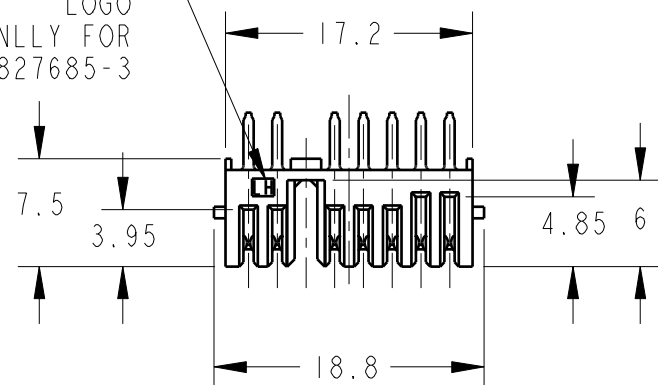


7-R0.5<sup>+0.10</sup><sub>-0.05</sub>  
 Ø 0.1 X Y

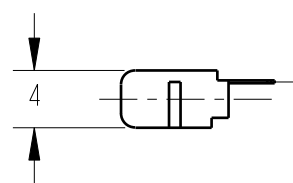
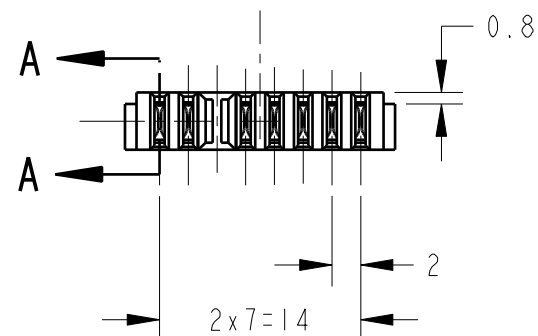


- 1 MATERIAL CONTACT COPPER ALLOY HOUSING THERMOPLASTIC RESIN, UL94V-0BLACK
- 2 FINISH CONTACT NICKEL ALL OVER UNDER PLATING, GOLD PLATING AT CONTACT AREA, TIN PLATING AT LEAD AREA,

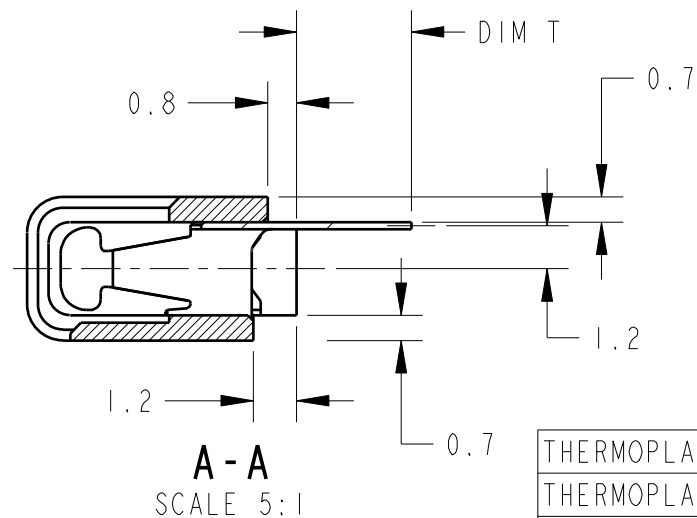
HALOGEN FREE LOGO ONLY FOR 1827685-3



REFERENCE P.C BOARD LAYOUT  
 P.C BOARD THK. 0.8 1.2  
 (VIEW FROM CONNECTOR MOUNTING SIDE)

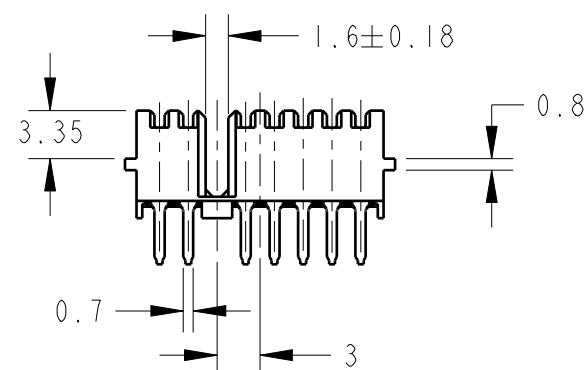


DIP TYPE



A-A  
 SCALE 5:1

|                                   |       |           |
|-----------------------------------|-------|-----------|
| THERMOPLASTIC RESIN(HALOGEN FREE) | 2.20  | 1827685-4 |
| THERMOPLASTIC RESIN(HALOGEN FREE) | 3.20  | 1827685-3 |
| THERMOPLASTIC RESIN               | 2.20  | 1827685-2 |
| THERMOPLASTIC RESIN               | 3.20  | 1827685-1 |
| HOUSING MATERIAL                  | DIM T | P/N       |



|  |   |  |  |
|--|---|--|--|
| <small>THIS DRAWING IS A CONTROLLED DOCUMENT FOR TYCO ELECTRONICS CORPORATION. IT IS SUBJECT TO CHANGE AND THE CONTROLLING ENGINEERING ORGANIZATION SHOULD BE CONTACTED FOR THE LATEST REVISION.</small> |   | DWN T. KATANO 04JUL05<br>CHK T. KIMURA 04JUL05<br>APVD T. KIMURA 04JUL05 | <b>Tyco Electronics</b><br>Tyco Electronics Corporation<br>Shanghai, P.R.China, 200233 |
| DIMENSIONS:<br>mm<br>  | TOLERANCES UNLESS OTHERWISE SPECIFIED:<br>± 0.3<br>0 PLC ±<br>1 PLC ±0.1<br>2 PLC ±0.01<br>3 PLC ±0.001<br>4 PLC ±0.0001<br>ANGLES ±3 | PRODUCT SPEC<br>108-78292<br>APPLICATION SPEC<br>-                       | NAME<br>RECEPTACLE ASSEMBLY 7POS.<br>REVERSE TYPE<br>2mm PITCH BATTERY CONNECTOR       |
| MATERIAL 1   | FINISH 2  | WEIGHT   | RESTRICTED TO  |
| CUSTOMER DRAWING   |   | SCALE 2:1  | SHEET 1 OF 2 REV B   |

4

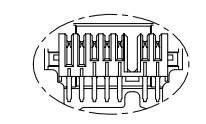
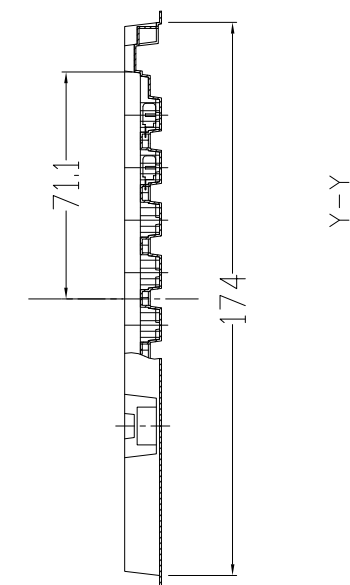
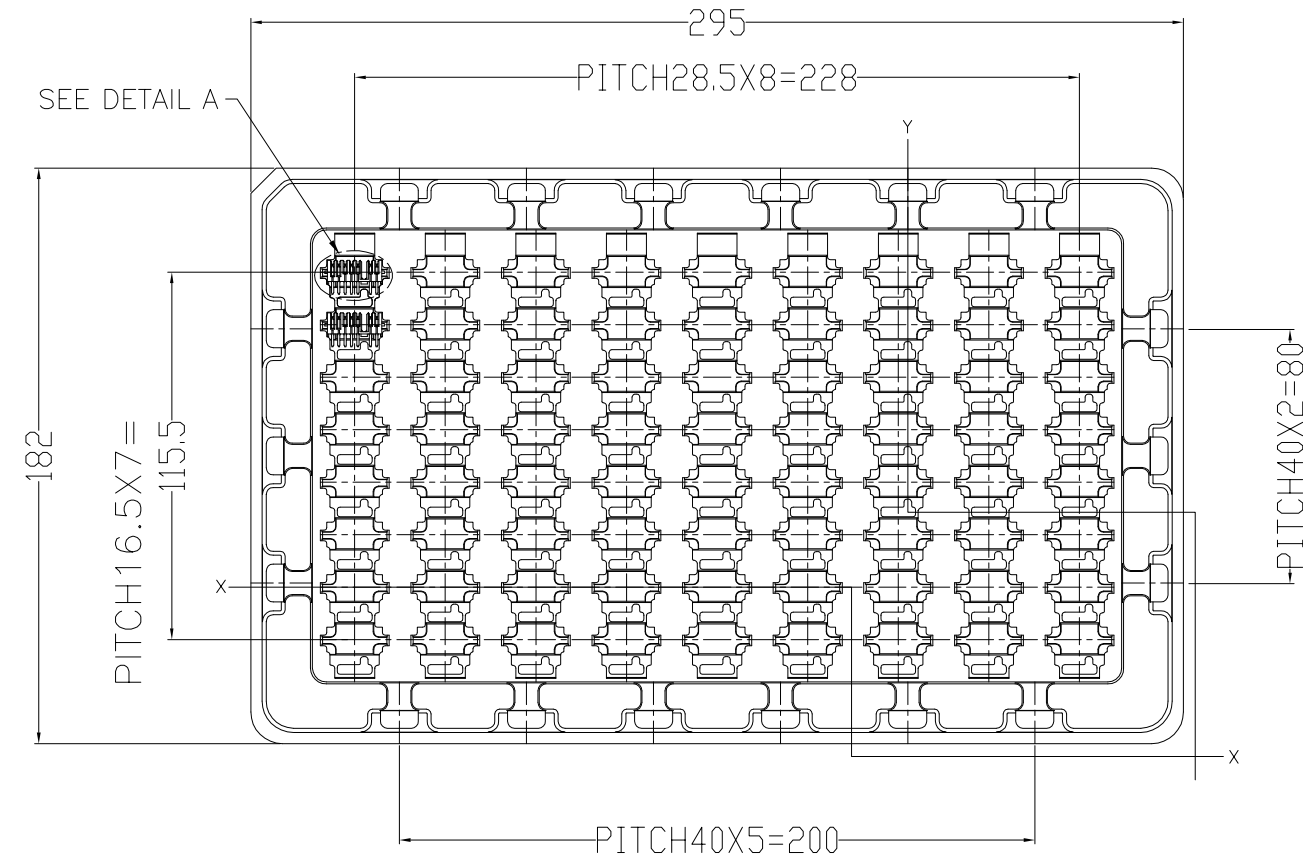
3

2

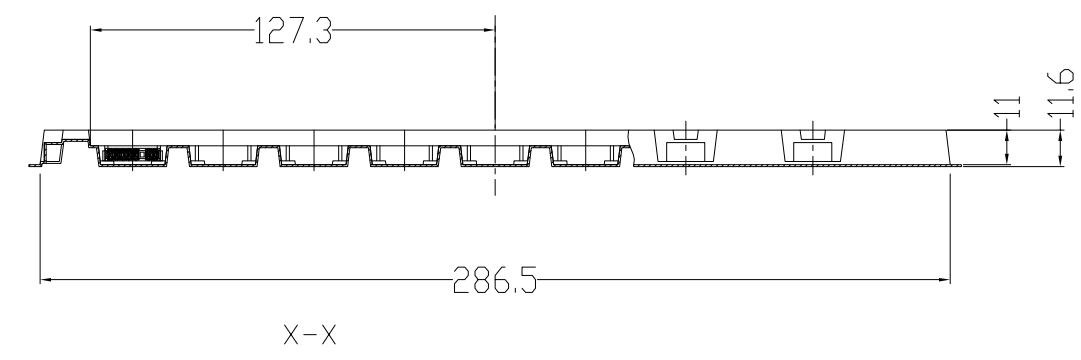
1

THIS DRAWING IS UNPUBLISHED. RELEASED FOR PUBLICATION 20  
 © COPYRIGHT 20 BY TYCO ELECTRONICS CORPORATION. ALL RIGHTS RESERVED.

| LOC | DIST | REVISIONS   |      |     |      |
|-----|------|-------------|------|-----|------|
| P   | LTR  | DESCRIPTION | DATE | DWN | APVD |
| ES  | -    | SEE SHEET 1 | -    | -   | -    |
|     |      |             |      |     |      |
|     |      |             |      |     |      |



DETAIL A  
SCALE 1:1



1. 72PCS/TRAY

|   |   |   |  |
|---|---|---|--|
| <small>THIS DRAWING IS A CONTROLLED DOCUMENT FOR TYCO ELECTRONICS CORPORATION<br/>IT IS SUBJECT TO CHANGE AND THE CONTROLLING ENGINEERING ORGANIZATION<br/>SHOULD BE CONTACTED FOR THE LATEST REVISION.</small> |   | DWN T.KATANO 04JUL05<br>CHK T.KIMURA 04JUL05<br>APVD T.KIMURA 04JUL05 | Tyco Electronics Corporation<br>Shanghai P.R.CHINA 200233                        |
| DIMENSIONS:<br>mm   | TOLERANCES UNLESS OTHERWISE SPECIFIED:<br>± 0.3<br>0-PLC ±<br>1-PLC ±0.1<br>2-PLC ±0.01<br>3-PLC ±0.001<br>4-PLC ±0.0001<br>ANGLES ±3 | PRODUCT SPEC<br>108-78292<br>APPLICATION SPEC<br>-                    | NAME<br>RECEPTACLE ASSEMBLY 7POS.<br>REVERSE TYPE<br>2mm PITCH BATTERY CONNECTOR |
| MATERIAL -  | FINISH -  | WEIGHT<br>CUSTOMER DRAWING  | SIZE A3<br>CAGE CODE 00779<br>DRAWING NO C=1827685<br>RESTRICTED TO -            |
|   |   | SCALE 2:1   | SHEET 2 OF 2<br>REV B  |