



Precision, 8-Channel/Dual 4-Channel, High-Performance, CMOS Analog Multiplexers

General Description

The MAX308/MAX309 precision, monolithic, CMOS analog multiplexers (muxes) offer low on-resistance (less than 100 Ω), which is matched to within 5 Ω between channels and remains flat over the specified analog signal range (7 Ω max). They also offer low leakage over temperature (NO-off leakage current less than 5nA at +85°C) and fast switching speeds (transition time less than 250ns). The MAX308 is a single-ended 1-of-8 device, and the MAX309 is a differential 2-of-4 device.

The MAX308/MAX309 are fabricated with Maxim's improved 44V silicon-gate process. Design improvements yield extremely low charge injection (less than 10pC) and guarantee electrostatic discharge protection greater than 2000V.

These muxes operate with a single +4.5V to +30V supply or bipolar \pm 4.5V to \pm 20V supplies, while retaining TTL/CMOS-logic input compatibility and fast switching. CMOS inputs provide reduced input loading. These improved parts are plug-in upgrades for the industry-standard DG408, DG409, DG508A, and DG509A.

Applications

Sample-and-Hold Circuits
Automatic Test Equipment
Heads-Up Displays
Guidance and Control Systems
Military Radios
Communications Systems
Battery-Operated Systems
PBX, PABX
Audio Signal Routing

Features

- ♦ **Guaranteed On-Resistance Match Between Channels, <5 Ω Max**
- ♦ **Low On-Resistance, <100 Ω Max**
- ♦ **Guaranteed Flat On-Resistance over Specified Signal Range, 7 Ω Max**
- ♦ **Guaranteed Low Charge Injection, <10pC**
- ♦ **NO-Off Leakage Current <5nA at +85°C**
- ♦ **COM-Off Leakage Current <20nA at +85°C**
- ♦ **ESD Protection >2000V**
- ♦ **Plug-In Upgrade for Industry-Standard DG408/DG409/DG508A/DG509A**
- ♦ **Single-Supply Operation (+4.5V to +30V) Bipolar-Supply Operation (\pm 4.5V to \pm 20V)**
- ♦ **Low Power Consumption, <300 μ W**
- ♦ **Rail-to-Rail Signal Handling**
- ♦ **TTL/CMOS-Logic Compatible**

Ordering Information

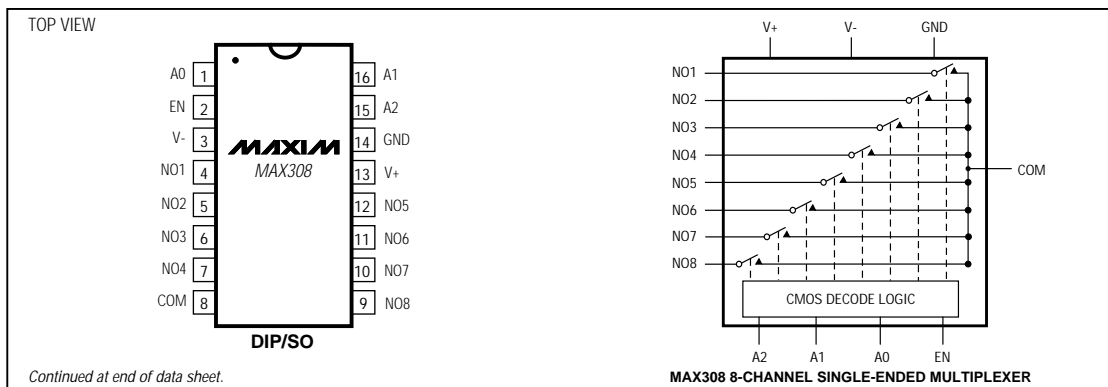
PART	TEMP. RANGE	PIN-PACKAGE
MAX308CPE	0°C to +70°C	16 Plastic DIP
MAX308CSE	0°C to +70°C	16 Narrow SO
MAX308C/D	0°C to +70°C	Dice*
MAX308EPE	-40°C to +85°C	16 Plastic DIP
MAX308ESE	-40°C to +85°C	16 Narrow SO
MAX308EJE	-40°C to +85°C	16 CERDIP
MAX308MJE	-55°C to +125°C	16 CERDIP**

Ordering Information continued at end of data sheet.

* Contact factory for dice specifications.

** Contact factory for availability.

Pin Configurations/Functional Diagrams/Truth Tables



Maxim Integrated Products 1

Call toll free 1-800-998-8800 for free samples or literature.

MAX308/MAX309

Precision, 8-Channel/Dual 4-Channel, High-Performance, CMOS Analog Multiplexers

ABSOLUTE MAXIMUM RATINGS

Voltage Referenced to V-		Continuous Power Dissipation (TA = +70°C)
V+	-0.3V, 44V	Plastic DIP (derate 10.53mW/°C above +70°C)
GND	-0.3V, 25V	Narrow SO (derate 8.70mW/°C above +70°C)
Digital Inputs, NO, COM (Note 1)	(V- - 2V) to (V+ + 2V) or 30mA, (whichever occurs first)	CERDIP (derate 10.00mW/°C above +70°C)
Continuous Current (any terminal)	30mA	Operating Temperature Ranges
Peak Current, NO or COM (pulsed at 1ms, 10% duty cycle max)	100mA	MAX30_C_ _
		MAX30_E_ _
		MAX30_MJE
		Storage Temperature Range
		Lead Temperature (soldering, 10sec)

Note 1: Signals on NO, COM, EN, A0, A1, or A2 exceeding V+ or V- are clamped by internal diodes. Limit forward current to maximum current ratings.

Stresses beyond those listed under "Absolute Maximum Ratings" may cause permanent damage to the device. These are stress ratings only, and functional operation of the device at these or any other conditions beyond those indicated in the operational sections of the specifications is not implied. Exposure to absolute maximum rating conditions for extended periods may affect device reliability.

ELECTRICAL CHARACTERISTICS—Dual Supplies

(V+ = +15V, V- = -15V, GND = 0V, VAH = +2.4V, VAL = +0.8V, TA = TMIN to TMAX, unless otherwise noted.)

PARAMETER	SYMBOL	CONDITIONS		MIN	TYP (Note 2)	MAX	UNITS	
SWITCH								
Analog Signal Range	VNO, VCOM	(Note 3)		-15		15	V	
On-Resistance	RON	I _{NO} = -1.0mA, V _{COM} = ±10V	TA = +25°C		60	100	Ω	
			TA = TMIN to TMAX			125		
On-Resistance Matching Between Channels	ΔRON	I _{NO} = -1.0mA, V _{COM} = ±10V (Note 4)	TA = +25°C		1.5	5	Ω	
			TA = TMIN to TMAX			8		
On-Resistance Flatness	RFLAT	I _{NO} = -1.0mA, V _{COM} = ±5V or 0V	TA = +25°C		1.8	7	Ω	
			TA = TMIN to TMAX			10		
NO-Off Leakage Current (Note 5)	I _{NO(OFF)}	V _{COM} = ∓10V, V _{NO} = ±10V, VEN = 0V	TA = +25°C	-0.5	0.01	0.5	nA	
			TA = TMIN to TMAX	C, E	-2.5	2.5		
				M	-5.0	5.0		
COM-Off Leakage Current (Note 5)	I _{COM(OFF)}	V _{NO} = ±10V, V _{COM} = ∓10V, VEN = 0V	MAX308	TA = +25°C	-0.75	0.02	0.75	nA
				TA = TMIN to TMAX	C, E	-10	10	
			M	-20	20			
		TA = +25°C	-0.75	0.02	0.75			
		V _{NO} = ∓10V, V _{COM} = ±10V, VEN = 0V	MAX309	TA = TMIN to TMAX	C, E	-5	5	
				M	-10	10		
COM-On Leakage Current (Note 5)	I _{COM(ON)}	V _{COM} = ±10V, V _{NO} = ±10V, sequence each switch on	MAX308	TA = +25°C	-0.75	0.02	0.75	nA
				TA = TMIN to TMAX	C, E	-10	10	
			M	-20	20			
		TA = +25°C	-0.75	0.02	0.75			
			MAX309	TA = TMIN to TMAX	C, E	-5	5	
				M	-10	10		

Precision, 8-Channel/Dual 4-Channel, High-Performance, CMOS Analog Multiplexers

MAX308/MAX309

ELECTRICAL CHARACTERISTICS—Dual Supplies (continued)

(V+ = +15V, V- = -15V, GND = 0V, VAH = +2.4V, VAL = +0.8V, TA = TMIN to TMAX, unless otherwise noted.)

PARAMETER	SYMBOL	CONDITIONS		MIN	TYP (Note 2)	MAX	UNITS
INPUT							
Input Current with Input Voltage High	IAH	VA = 2.4V or 15V		-1.0		1.0	μA
Input Current with Input Voltage Low	I _{AL}	VEN = 0V or 2.4V, VA = 0V		-1.0		1.0	μA
SUPPLY							
Power-Supply Range				±4.5		±20	V
Positive Supply Current	I+	VEN = VA = 0V or 4.5V	TA = +25°C		16	30	μA
			TA = TMIN to TMAX			75	
Positive Supply Current	I+	VEN = 2.4V, VA(ALL) = 0V or 2.4V	TA = +25°C		0.075	0.5	mA
			TA = TMIN to TMAX				
Negative Supply Current	I-	VEN = 2.4V, VA(ALL) = 0V or 2.4V	TA = +25°C		-1	1	μA
			TA = TMIN to TMAX		-10	10	
DYNAMIC							
Transition Time	tTRANS	Figure 2	TA = +25°C		85	175	ns
			TA = TMIN to TMAX			250	
Break-Before-Make Interval	tOPEN	Figure 4	TA = +25°C		10	40	ns
Enable Turn-On Time	ton(EN)	Figure 3	TA = +25°C		85	150	ns
			TA = TMIN to TMAX			225	
Enable Turn-Off Time	toff(EN)	Figure 3	TA = +25°C			150	ns
Charge Injection (Note 3)	Q	CL = 1.0nF, VNO = 0V, RS = 0Ω, Figure 5	TA = TMIN to TMAX			300	pC
			TA = +25°C		2	10	
Off Isolation (Note 6)	VISO	VEN = 0V, RL = 1kΩ, f = 100kHz, Figure 6	TA = +25°C			-75	dB
Crosstalk Between Channels	VCT	VEN = 2.4V, f = 100kHz, VGEN = 1Vp-p, RL = 1kΩ, Figure 7	TA = +25°C			-92	dB
Logic Input Capacitance	CIN	f = 1MHz	TA = +25°C			8	pF
NO-Off Capacitance	CNO(OFF)	f = 1MHz, VEN = VNO = 0V, Figure 8	TA = +25°C			3	pF
COM-Off Capacitance	CCOM(OFF)	f = 1MHz, VEN = 0.8V VCOM = 0V, Figure 8	MAX308	TA = +25°C		26	pF
			MAX309			14	
COM-On Capacitance	CCOM(ON)	f = 1MHz, VEN = 2.4V VCOM = 0V, Figure 8	MAX308	TA = +25°C		37	pF
			MAX309			25	

Precision, 8-Channel/Dual 4-Channel, High-Performance, CMOS Analog Multiplexers

MAX308/MAX309

ELECTRICAL CHARACTERISTICS—Single Supply

(V+ = +12V, V- = 0V, GND = 0V, VAH = +2.4V, VAL = +0.8V, TA = TMIN to TMAX, unless otherwise noted.)

PARAMETER	SYMBOL	CONDITIONS		MIN	TYP (Note 2)	MAX	UNITS
SWITCH							
Analog Signal Range	VNO, VCOM	(Note 3)		0		12	V
On-Resistance	RON	INO = -1.0mA VCOM = 3V or 10V	TA = +25°C		120	175	Ω
DYNAMIC							
Transition Time (Note 3)	tTRANS	VNO1 = 8V, VNO8 = 0V, VIN = 2.4V, Figure 2	TA = +25°C		115	450	ns
Enable Turn-On Time (Note 3)	tON(EN)	VINH = 2.4V, VINL = 0V, VNO1 = 5V, Figure 3	TA = +25°C		100	600	ns
Enable Turn-Off Time (Note 3)	tOFF(EN)	VINH = 2.4V, VINL = 0V, VNO1 = 5V, Figure 3	TA = +25°C		75	300	ns
Charge Injection (Note 3)	Q	CL = 1.0nF, VNO = 0V, RS = 0Ω	TA = +25°C		2	10	pC

Note 2: The algebraic convention where the most negative value is a minimum and the most positive value a maximum is used in this data sheet.

Note 3: Guaranteed by design.

Note 4: $\Delta R_{ON} = R_{ON(MAX)} - R_{ON(MIN)}$. On-resistance match between channels and flatness are guaranteed only with specified voltages. Flatness is defined as the difference between the maximum and minimum value of on-resistance as measured at the extremes of the specified analog signal range.

Note 5: Leakage parameters are 100% tested at the maximum rated hot temperature and guaranteed by correlation at +25°C.

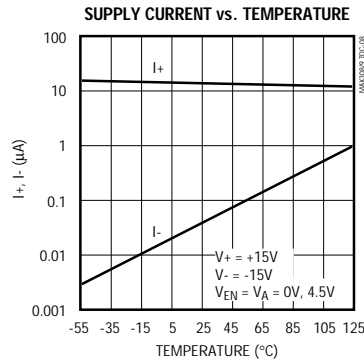
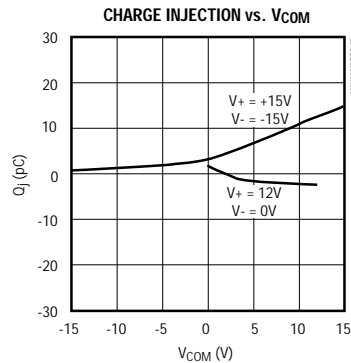
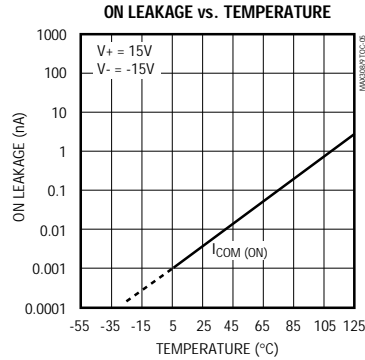
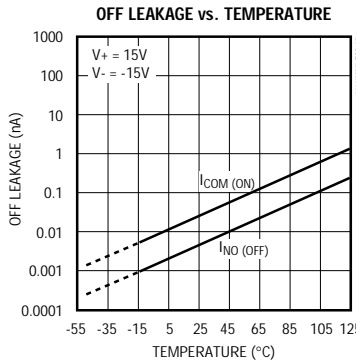
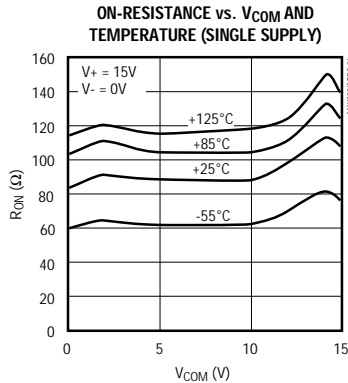
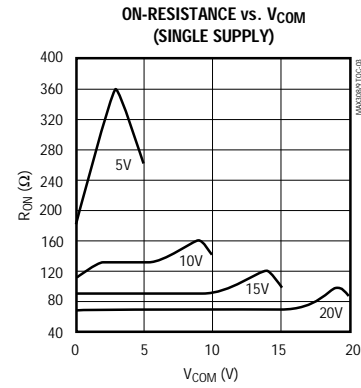
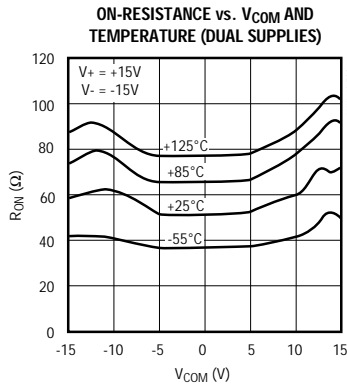
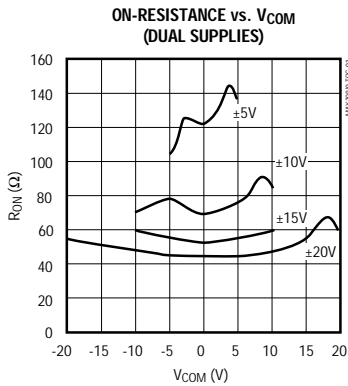
Note 6: Off isolation = $20 \log V_{COM}/V_{NO}$, where VCOM = output and VNO = input to off switch.

Precision, 8-Channel/Dual 4-Channel, High-Performance, CMOS Analog Multiplexers

Typical Operating Characteristics

($T_A = +25^\circ\text{C}$, unless otherwise noted.)

MAX308/MAX309



Precision, 8-Channel/Dual 4-Channel, High-Performance, CMOS Analog Multiplexers

Pin Description

PIN		NAME	FUNCTION
MAX308	MAX309		
1, 15, 16	—	A0, A2, A1	Address Inputs
—	1, 16	A0, A1	Address Inputs
2	2	EN	Enable Input
3	3	V-	Negative Supply Voltage Input
4-7	—	NO1-NO4	Analog Inputs—bidirectional
—	4-7	NO1A-NO4A	Analog Inputs—bidirectional
8	—	COM	Analog Output—bidirectional
—	8, 9	COMA, COMB	Analog Outputs—bidirectional
9-12	—	NO8-NO5	Analog Inputs—bidirectional
—	10-13	NO4B-NO1B	Analog Inputs—bidirectional
13	14	V+	Positive Supply Voltage Input
14	15	GND	Ground

Applications Information

Operation with Supply Voltages Other than 15V

Using supply voltages less than $\pm 15V$ will reduce the analog signal range. The MAX308/MAX309 switches operate with $\pm 4.5V$ to $\pm 20V$ bipolar supplies or with a $+4.5V$ to $+30V$ single supply. Connect V- to GND when operating with a single supply. Both device types can also operate with unbalanced supplies, such as $+24V$ and $-5V$. The *Typical Operating Characteristics* graphs show typical on-resistance with 20V, 15V, 10V, and 5V supplies. (Switching times increase by a factor of two or more for operation at 5V.)

Overvoltage Protection

Proper power-supply sequencing is recommended for all CMOS devices. Do not exceed the absolute maximum ratings, because stresses beyond the listed ratings may cause permanent damage to the devices. Always sequence V+ on first, then V-, followed by the logic inputs, NO, or COM. If power-supply sequencing is not possible, add two small signal diodes in series with supply pins for overvoltage protection (Figure 1). Adding diodes reduces the analog signal range to 1V below V+ and 1V above V-, but does not affect the devices' low switch resistance and low leakage characteristics. Device operation is unchanged, and the difference between V+ and V- should not exceed +44V.

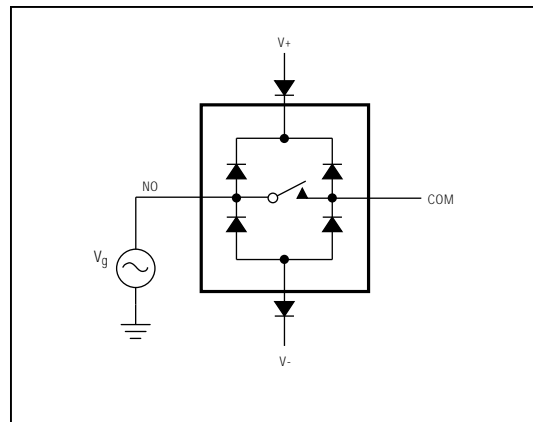


Figure 1. Overvoltage Protection Using External Blocking Diodes

Precision, 8-Channel/Dual 4-Channel, High-Performance, CMOS Analog Multiplexers

Test Circuits/Timing Diagrams

MAX308/MAX309

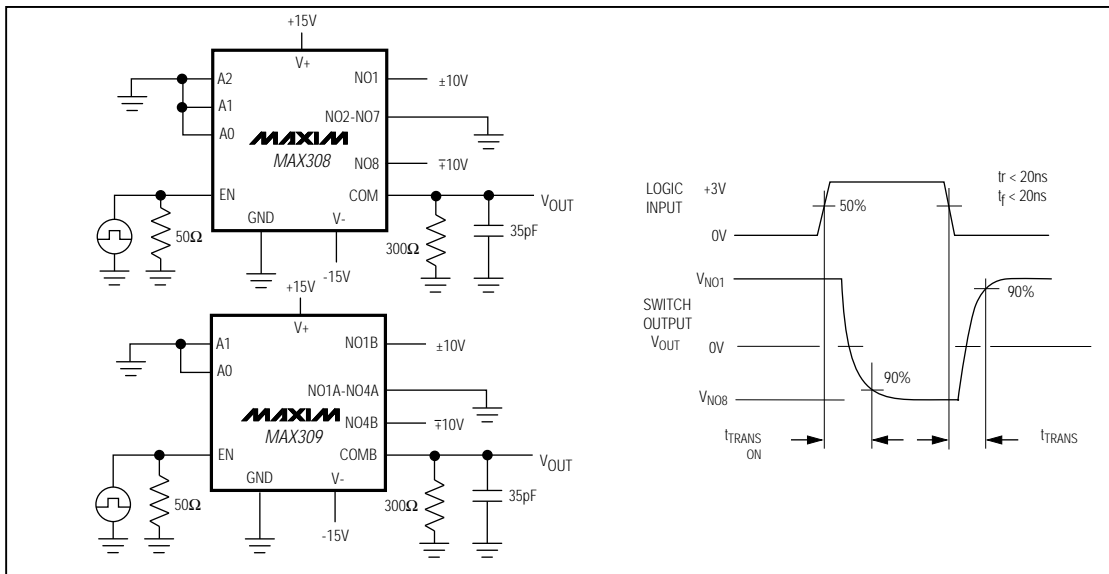


Figure 2. Transition Time

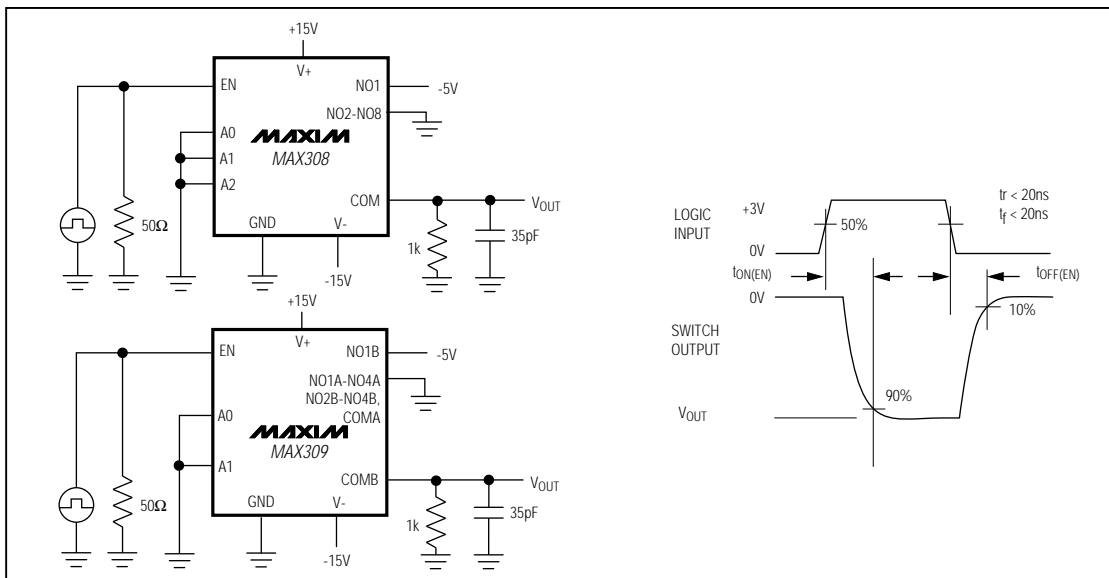


Figure 3. Enable Switching Time

Precision, 8-Channel/Dual 4-Channel, High-Performance, CMOS Analog Multiplexers

Test Circuits/Timing Diagrams (continued)

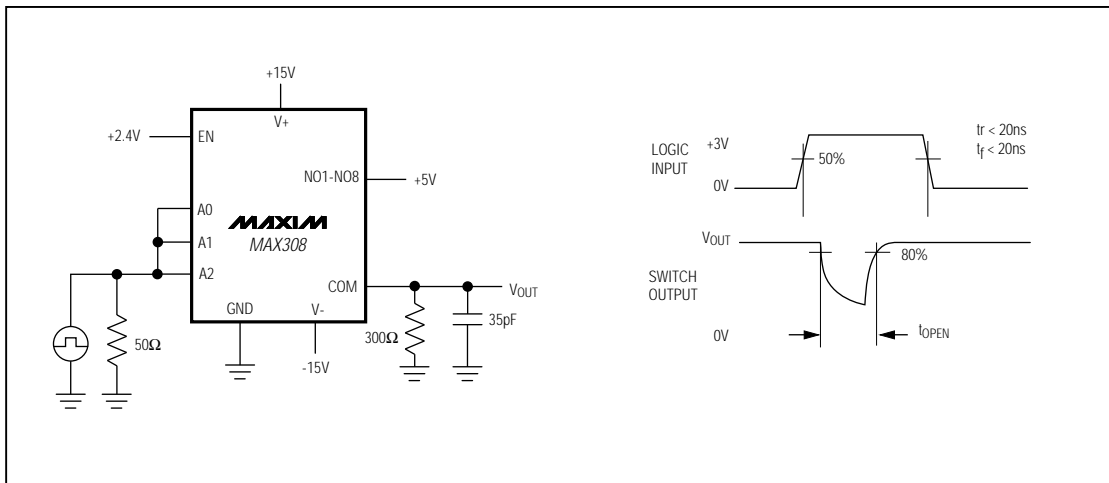


Figure 4. Break-Before-Make Interval

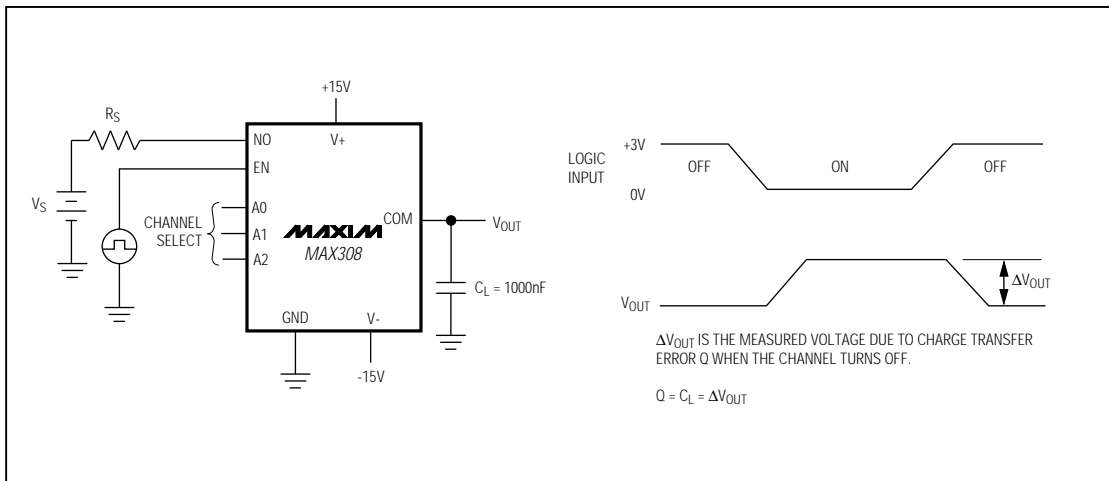


Figure 5. Charge Injection

Precision, 8-Channel/Dual 4-Channel, High-Performance, CMOS Analog Multiplexers

Test Circuits/Timing Diagrams (continued)

MAX308/MAX309

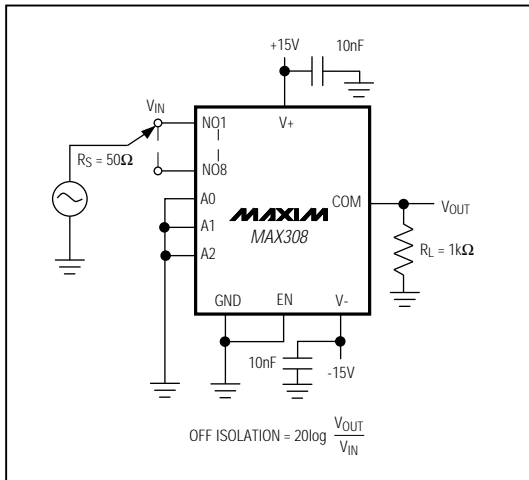


Figure 6. Off Isolation

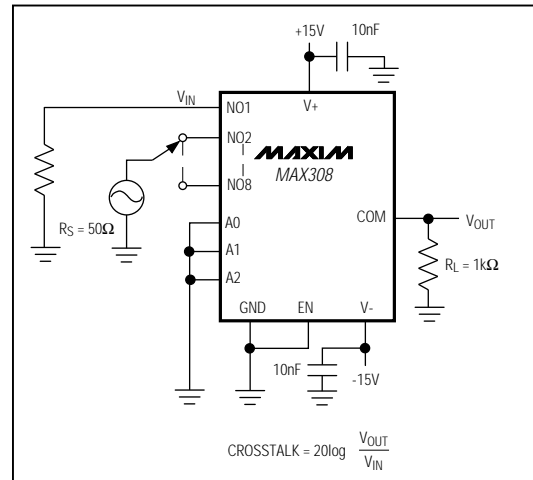


Figure 7. Crosstalk

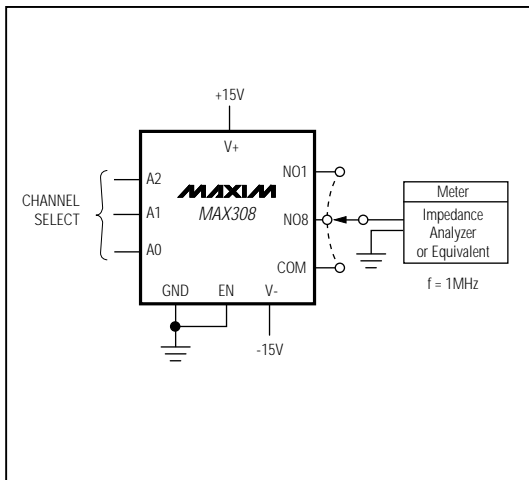
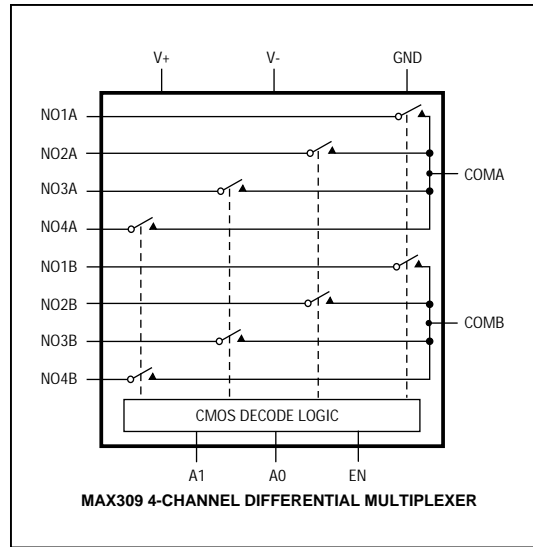
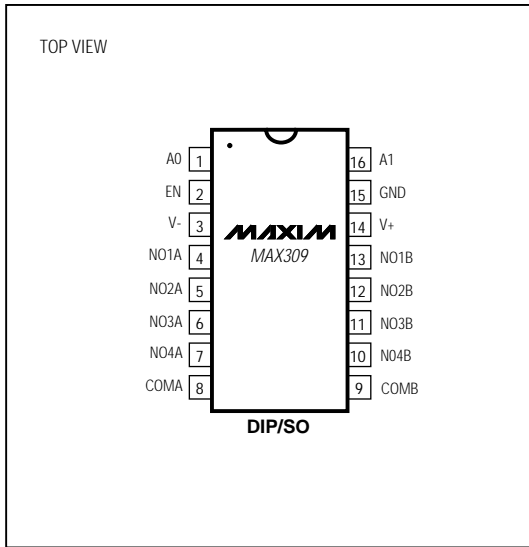


Figure 8. NO/COM Capacitance

Precision, 8-Channel/Dual 4-Channel, High-Performance, CMOS Analog Multiplexers

_____ Pin Configurations/Functional Diagrams/Truth Tables (continued)



A2	A1	A0	EN	ON SWITCH
X	X	X	0	None
0	0	0	1	1
0	0	1	1	2
0	1	0	1	3
0	1	1	1	4
1	0	0	1	5
1	0	1	1	6
1	1	0	1	7
1	1	1	1	8

MAX308

LOGIC "0" $V_{AL} \leq 0.8V$, LOGIC "1" $V_{AH} \geq 2.4V$

A1	A0	EN	ON SWITCH
X	X	0	None
0	0	1	1
0	1	1	2
1	0	1	3
1	1	1	4

MAX309

LOGIC "0" $V_{AL} \leq 0.8V$, LOGIC "1" $V_{AH} \geq 2.4V$

Precision, 8-Channel/Dual 4-Channel, High-Performance, CMOS Analog Multiplexers

_Ordering Information (continued)

PART	TEMP. RANGE	PIN-PACKAGE
MAX309 CPE	0°C to +70°C	16 Plastic DIP
MAX309CSE	0°C to +70°C	16 Narrow SO
MAX309C/D	0°C to +70°C	Dice*
MAX309EPE	-40°C to +85°C	16 Plastic DIP
MAX309ESE	-40°C to +85°C	16 Narrow SO
MAX309EJE	-40°C to +85°C	16 CERDIP
MAX309MJE	-55°C to +125°C	16 CERDIP**

* Contact factory for dice specifications.

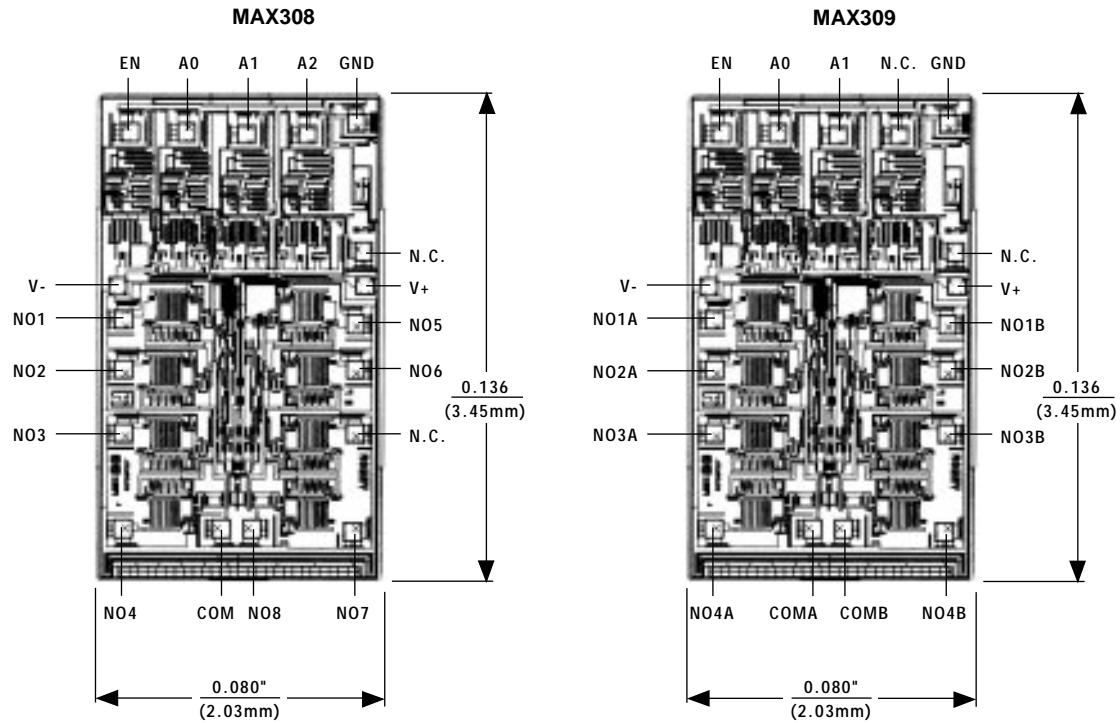
** Contact factory for availability.

MAX308/MAX309

Precision, 8-Channel/Dual 4-Channel, High-Performance, CMOS Analog Multiplexers

Chip Topographies

MAX308/MAX309



N.C. = NO INTERNAL CONNECTION

TRANSISTOR COUNT: 122
SUBSTRATE CONNECTED TO V+

TRANSISTOR COUNT: 122
SUBSTRATE CONNECTED TO V+

Maxim cannot assume responsibility for use of any circuitry other than circuitry entirely embodied in a Maxim product. No circuit patent licenses are implied. Maxim reserves the right to change the circuitry and specifications without notice at any time.

12 _____ Maxim Integrated Products, 120 San Gabriel Drive, Sunnyvale, CA 94086 (408) 737-7600

© 1994 Maxim Integrated Products

Printed USA

MAXIM is a registered trademark of Maxim Integrated Products.