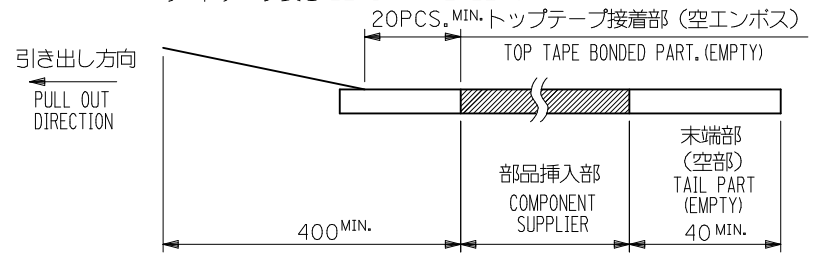
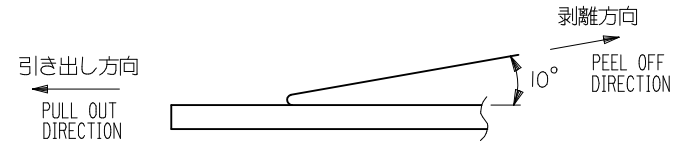


NOTES

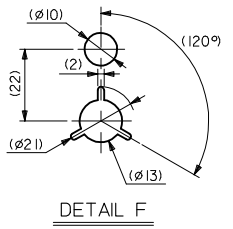
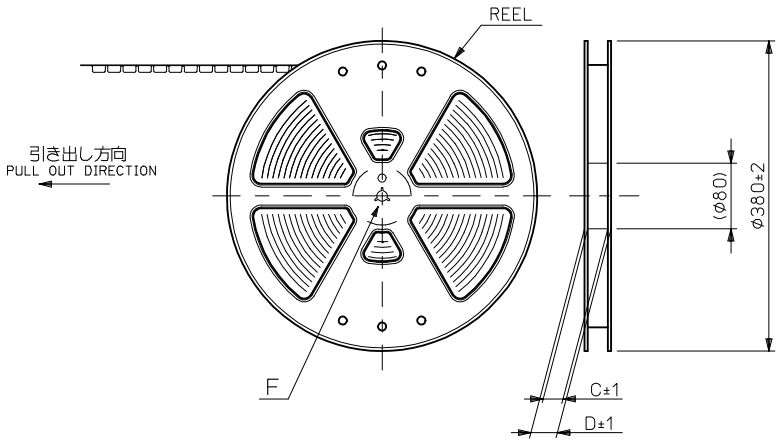
- 1. 梱包数量：1000個/リール
NUMBER OF CONNECTORS : 1000PCS/REEL
- 2. リードテープ長さ LEAD TAPE LENGTH



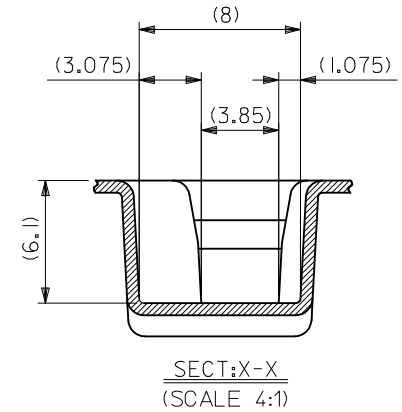
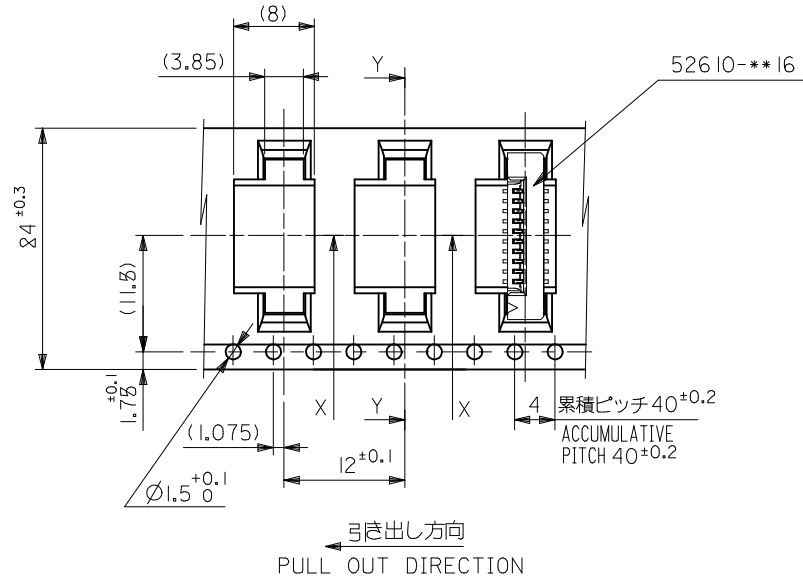
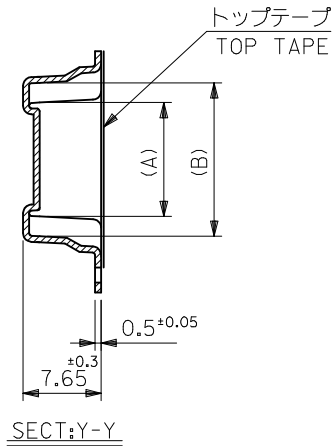
- 3. トップテープの剥離強度：0.1~1.3N (10gf~130gf) (剥離方向は下図参照)
尚、本規格値は出荷時に適用。(但し、輸送時に剥離が発生しないこと。)
PEELING OFF FORCE OF TOP TAPE : 0.1~1.3N (10gf~130gf)
(PEELING DIRECTION AS SHOWN IN FOLLOWING FIG.)
THIS REQUIREMENT SHOULD BE APPLIED AT SHIPMENT.
PEEL OFF SHOULD NOT BE ALLOWED , DURING TRANSPORTATION.



- 4. 52610-**-16のアクチュエータはハウジング内に押し下げた状態とする。
詳細寸法については 製品単体図面を参照下さい。
ACTUATOR OF PART NO. 52610-**-16 SHULD BE LOCKED.
RE DETAILED DIMENSIONS , SEE SALES DRAWING FOR CONNECTOR.
- 5. 材料(MATERIAL)
キャリアテープ(CARRIER TAPE)：ポリプロピレン(POLYPROPYLENE)
トップテープ(TOP TAPE)：PET , PE , PEF
リール(REEL)：ポリスチレン (PS) <リサイクル材を含む>
POLYSTYREN(PS) <RECYCLE MATERIAL CONTAINED>
- 6. 本製品は 52610-**-90 の鉛フリー品です
- 7. 本製品は乾燥剤入り、ハイバリア梱包仕様である。
THIS PRODUCT IS HIGH BARRIER PACKAGE WITH DESICCANT.

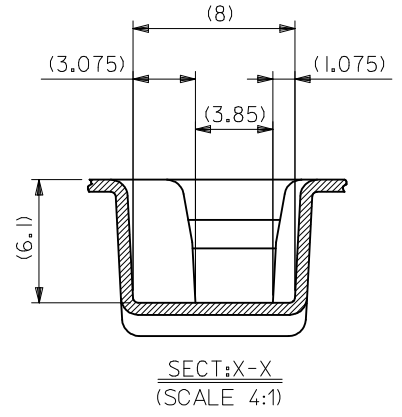
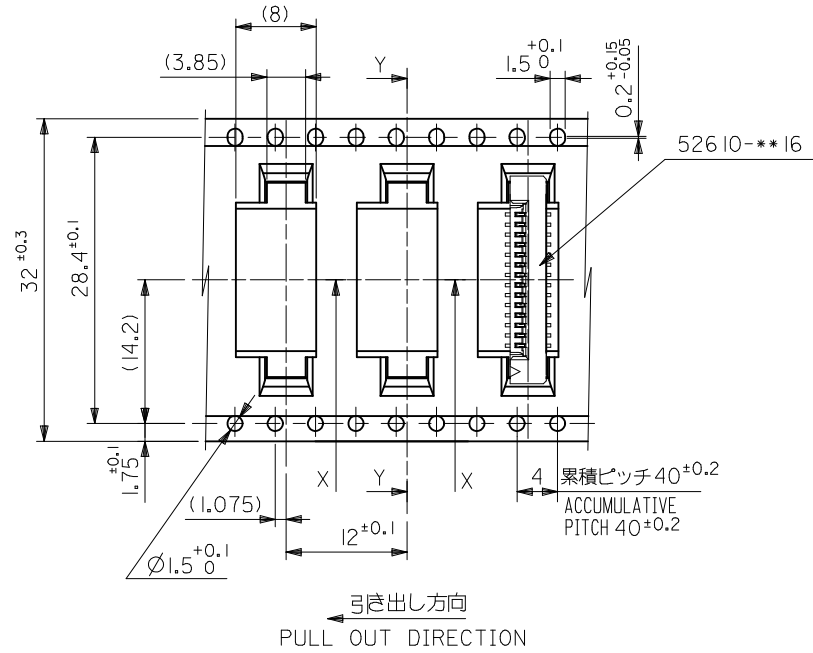
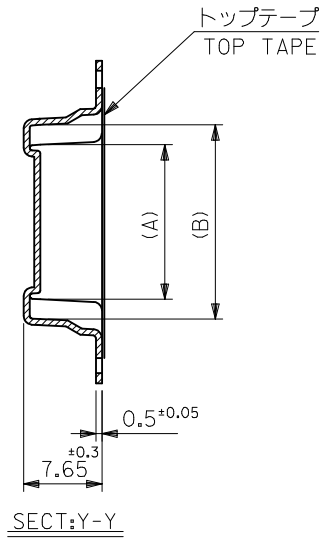


| | | | | | | | | | |
|---|--------------------|--|-------|----------------------------|-------------------|--|------------------------|-------------|-----------|
| REVISED EC NO: J2009-2061 DRWN:TKON 2009/05/20 CHKD:HMATSUMOTO 2009/05/21 APPR:NUKITA 2009/05/21 | DESCRIPTION REV | GENERAL TOLERANCES (UNLESS SPECIFIED) | | DIMENSION STYLE MM ONLY | | SCALE --- | DESIGN UNITS METRIC | 52610-**-71 | MODEL NO. |
| | | 10 UNDER | ±0.2 | DRAWN BY T. UENO | DATE '03/12/12 | TITLE 1.0 FPC CONN SMT ZIF EMBSTP PKG -LEAD FREE- | | | |
| | | 10 OVER 30 UNDER | ±0.25 | CHECKED BY M. SASAO | DATE '03/12/12 | MOLEX INCORPORATED | | | |
| | | 30 OVER | ±0.3 | APPROVED BY M. SASAO | DATE '03/12/12 | DOCUMENT NO. SD-52610-038 | | | |
| ANGULAR ±3 ° | | DRAFT WHERE APPLICABLE MUST REMAIN WITHIN DIMENSIONS | | MATERIAL NO. SEE TABLE | | SHEET NO. 1 OF 5 | | | |
| THIS DRAWING CONTAINS INFORMATION THAT IS PROPRIETARY TO MOLEX INCORPORATED AND SHOULD NOT BE USED WITHOUT WRITTEN PERMISSION | | | | | | | | | |



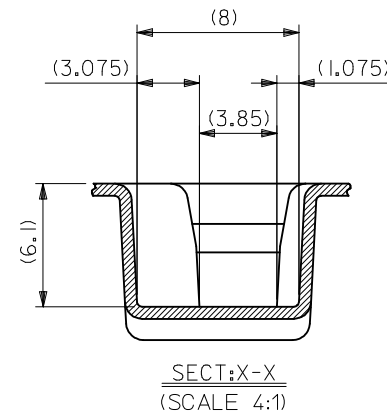
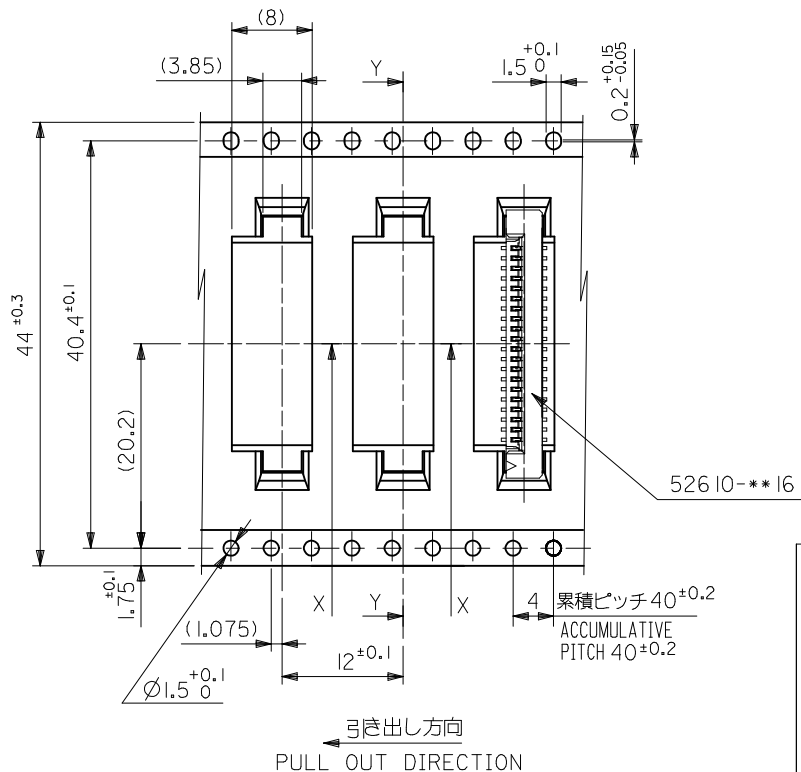
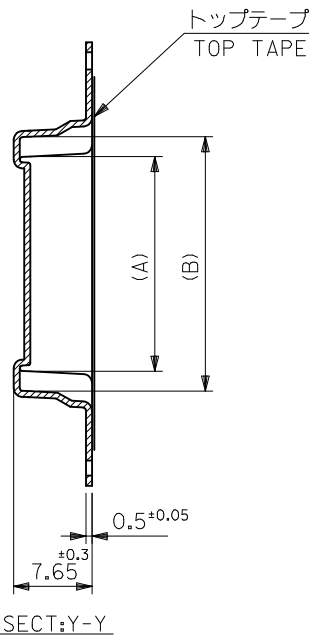
| | | | | | | |
|--------------------------------|------|------|-------------|-------|--------------|------------|
| 24 | 29.4 | 25.4 | 15.25 | 11.32 | 52610-1071 | 10 |
| | | | 14.25 | 10.32 | 52610-0971 | 9 |
| | | | 13.25 | 9.32 | 52610-0871 | 8 |
| | | | 12.25 | 8.32 | 52610-0771 | 7 |
| | | | 11.25 | 7.32 | 52610-0671 | 6 |
| | | | 10.25 | 6.32 | 52610-0571 | 5 |
| キャリアテープ幅 CARRIER TAPE WIDTH | D | C | (B) | (A) | MATERIAL NO. | 極数 CKT. |
| | | | 52610-**-71 | | MODEL NO. | |

| | | | | | | | |
|---|--|-----------|----------------------------|-------------------|--|------------------------|---------------------------|
| REVISED EC NO: J2009-2061 DRW: TIKON 2009/05/20 CHK: HIMATSUMOTO 2009/05/21 APPR: NUKITA 2009/05/21 | GENERAL TOLERANCES (UNLESS SPECIFIED) | | DIMENSION STYLE MM ONLY | | SCALE --- | DESIGN UNITS METRIC | THIRD ANGLE PROJECTION |
| | 10 UNDER | ± 0.2 | DRAWN BY T. UENO | DATE '03/12/12 | TITLE 1.0 FPC CONN SMT ZIF EMBSTP PKG -LEAD FREE- MOLEX INCORPORATED SD-52610-038 | | |
| | 10 OVER 30 UNDER | ± 0.25 | CHECKED BY M. SASAO | DATE '03/12/12 | | | |
| | 30 OVER | ± 0.3 | APPROVED BY M. SASAO | DATE '03/12/12 | | | |
| | ANGULAR | ± 3 ° | MATERIAL NO. | | | | |
| DRAFT WHERE APPLICABLE MUST REMAIN WITHIN DIMENSIONS | | SEE TABLE | | | | | |
| SIZE A3 | THIS DRAWING CONTAINS INFORMATION THAT IS PROPRIETARY TO MOLEX INCORPORATED AND SHOULD NOT BE USED WITHOUT WRITTEN PERMISSION | | | | | | SHEET NO. 2 OF 5 |



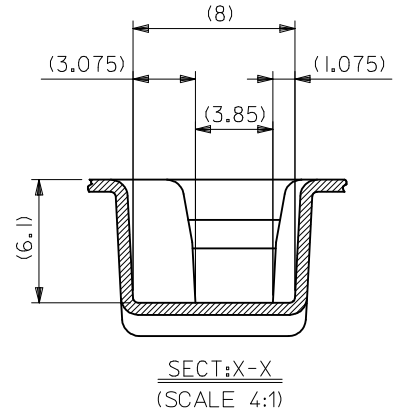
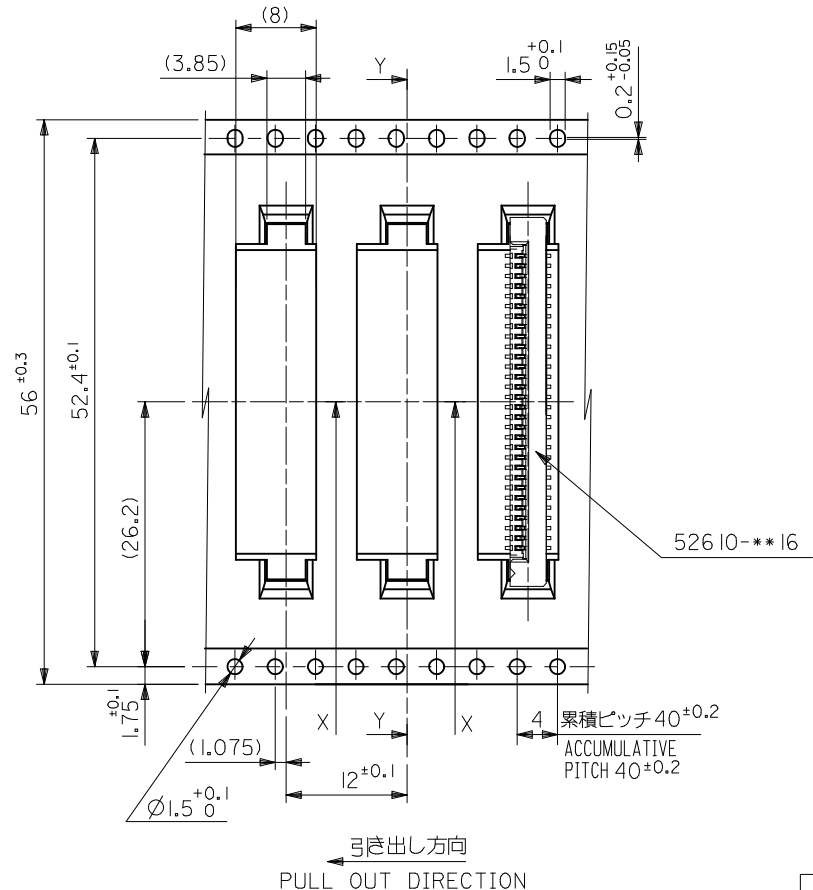
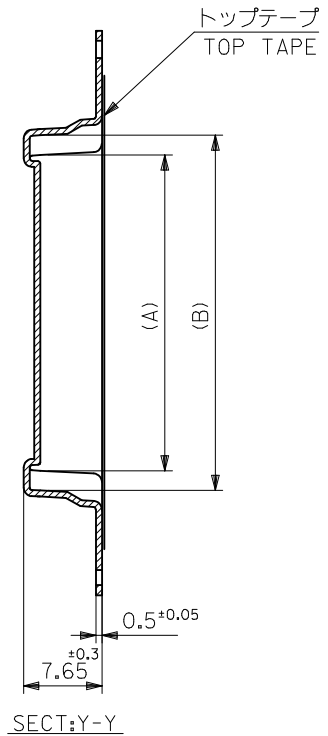
| | | | | | | |
|--------------------------------|------|------|-------|-------|--------------|------------|
| 32 | 37.4 | 33.4 | 20.25 | 16.32 | 52610-1571 | 15 |
| | | | 19.25 | 15.32 | 52610-1471 | 14 |
| | | | 18.25 | 14.32 | 52610-1371 | 13 |
| | | | 17.25 | 13.32 | 52610-1271 | 12 |
| | | | 16.25 | 12.32 | 52610-1171 | 11 |
| キャリアテープ幅 CARRIER TAPE WIDTH | D | C | (B) | (A) | MATERIAL NO. | 種数 CKT. |

| | | | | | | |
|---|---------------------------------------|-----------|-----------------|------------------|---|------------------------|
| REVISED EC NO: J2009-2061 DRWN:TKON 2009/05/20 CHKD:HMATSUMOTO 2009/05/21 APPR:NUKITA 2009/05/21 | GENERAL TOLERANCES (UNLESS SPECIFIED) | | DIMENSION STYLE | SCALE | DESIGN UNITS | THIRD ANGLE PROJECTION |
| | | | MM ONLY | --- | METRIC | ⊙ □ |
| | 10 UNDER | ±0.2 | DRAWN BY | DATE | TITLE | |
| | 10 OVER 30 UNDER | ±0.25 | T. UENO | '03/12/12 | 1.0 FPC CONN SMT ZIF EMBSTP PKG -LEAD FREE- | |
| | 30 OVER | ±0.3 | CHECKED BY | DATE | MOLEX INCORPORATED | |
| ANGULAR | ±3 ° | M. SASAO | '03/12/12 | MATERIAL NO. | | |
| DRAFT WHERE APPLICABLE MUST REMAIN WITHIN DIMENSIONS | | M. SASAO | '03/12/12 | DOCUMENT NO. | | |
| | | SEE TABLE | | SD-52610-038 | | |
| | | SIZE A3 | | SHEET NO. 3 OF 5 | | |
| THIS DRAWING CONTAINS INFORMATION THAT IS PROPRIETARY TO MOLEX INCORPORATED AND SHOULD NOT BE USED WITHOUT WRITTEN PERMISSION | | | | | | |



| | | | | | | |
|--------------------------------|-------|------------|-------------|-----------|--------------|------------|
| 44 | 49.4 | 45.4 | 31.25 | 27.32 | 52610-2671 | 26 |
| | | | 30.25 | 26.32 | 52610-2571 | 25 |
| | | | 29.25 | 25.32 | 52610-2471 | 24 |
| | | | 28.25 | 24.32 | 52610-2371 | 23 |
| | | | 27.25 | 23.32 | 52610-2271 | 22 |
| | | | 26.25 | 22.32 | 52610-2171 | 21 |
| | | | 25.25 | 21.32 | 52610-2071 | 20 |
| | | | 24.25 | 20.32 | 52610-1971 | 19 |
| | | | 23.25 | 19.32 | 52610-1871 | 18 |
| | | | 22.25 | 18.32 | 52610-1771 | 17 |
| 21.25 | 17.32 | 52610-1671 | 16 | | | |
| キャリアテープ幅 CARRIER TAPE WIDTH | D | C | (B) | (A) | MATERIAL NO. | 極数 CKT. |
| | | | 52610-**-71 | MODEL NO. | | |

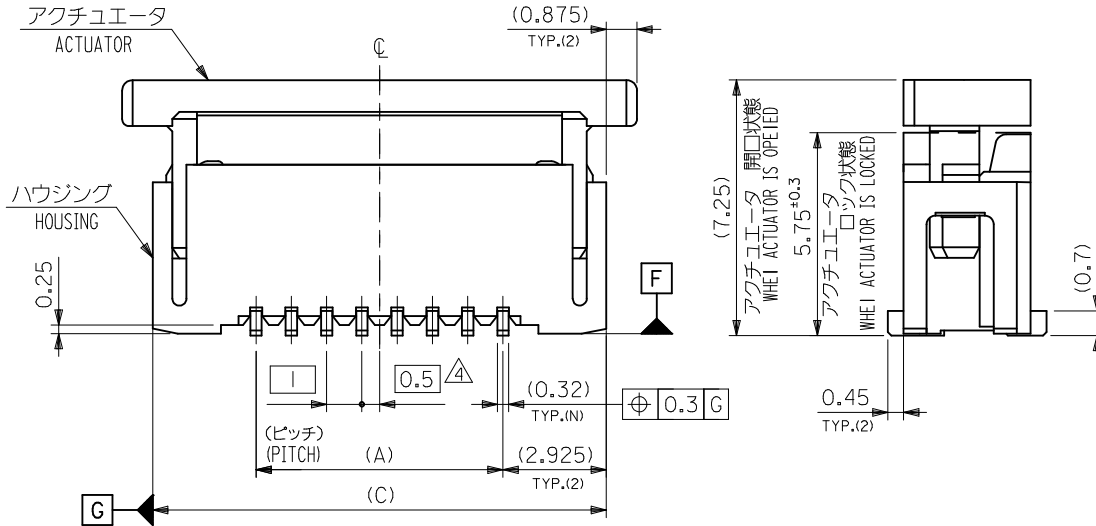
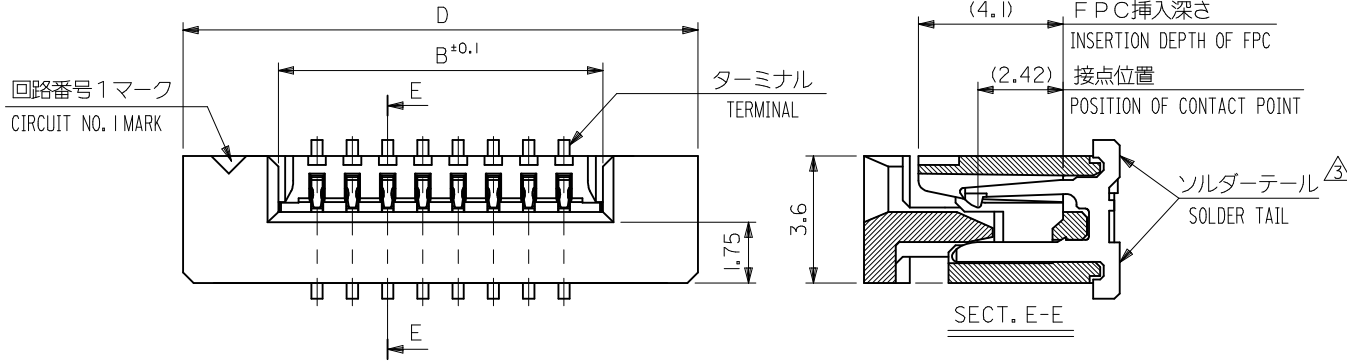
| | | | | | | | | | |
|--|---------------------------------------|-------|--|-------------------|---|------------------------|--|------------------------|--|
| REVISED EC NO: J2009-2061 DRWN:TKON 2009/05/20 CHKD:HMATSUMOTO 2009/05/21 APPR:NIKI ITA 2009/05/21 | GENERAL TOLERANCES (UNLESS SPECIFIED) | | DIMENSION STYLE MM ONLY | | SCALE --- | DESIGN UNITS METRIC | | THIRD ANGLE PROJECTION | |
| | 10 UNDER | ±0.2 | DRAWN BY T. UENO | DATE '03/12/12 | TITLE 1.0 FPC CONN SMT ZIF EMBSTP PKG -LEAD FREE- | | | | |
| | 10 OVER 30 UNDER | ±0.25 | CHECKED BY M. SASAO | DATE '03/12/12 | MOLEX INCORPORATED SEE TABLE SD-52610-038 | | | | |
| | 30 OVER | ±0.3 | APPROVED BY M. SASAO | DATE '03/12/12 | | | | | |
| | ANGULAR ±3 ° | | DRAFT WHERE APPLICABLE MUST REMAIN WITHIN DIMENSIONS | | THIS DRAWING CONTAINS INFORMATION THAT IS PROPRIETARY TO MOLEX INCORPORATED AND SHOULD NOT BE USED WITHOUT WRITTEN PERMISSION | | | | |



引き出し方向
PULL OUT DIRECTION

| | | | | | | |
|--------------------------------|------|------|-------|-------|--------------|------------|
| 56 | 61.4 | 57.4 | 35.25 | 31.32 | 52610-3071 | 30 |
| | | | 33.25 | 29.32 | 52610-2871 | 28 |
| キャリアテープ幅 CARRIER TAPE WIDTH | D | C | (B) | (A) | MATERIAL NO. | 種数 CKT. |
| | | | | | 52610-**-71 | MODEL NO. |

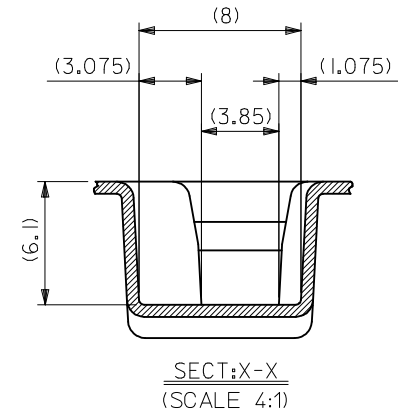
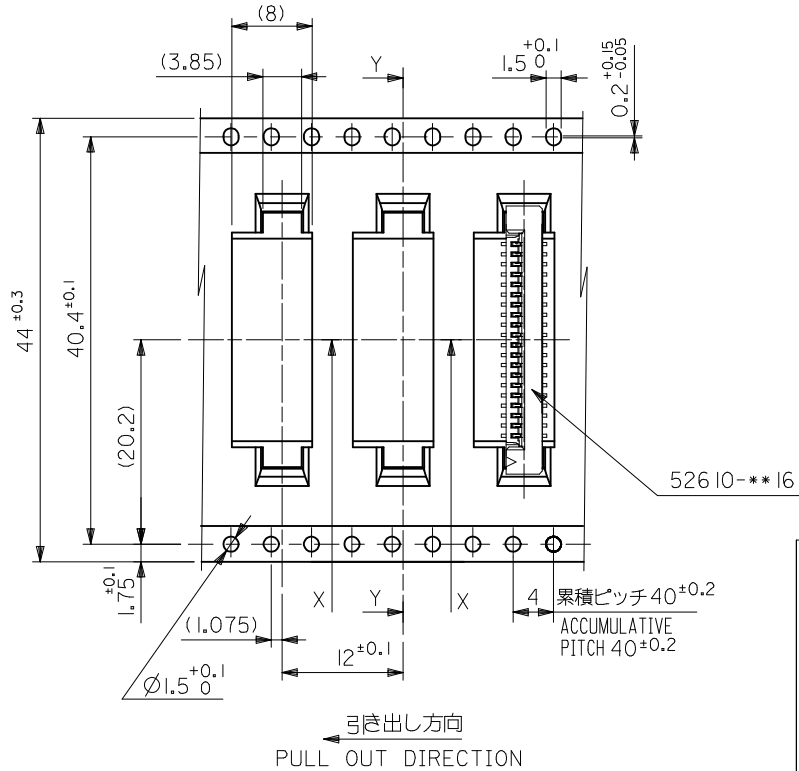
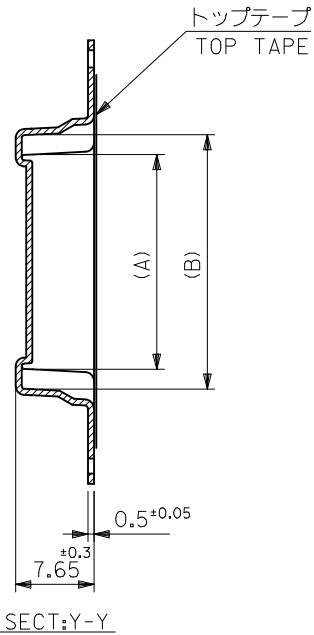
| | | | | | | | | | |
|--|---------------------------------------|--|----------------------------|---------------------------|--|------------------------|--|---|--|
| REVISED EC NO: J2009-2061 DRWN:TKON 2009/05/20 CHKD:HMATSUMOTO 2009/05/21 APPR:NIKI ITA 2009/05/21 | GENERAL TOLERANCES (UNLESS SPECIFIED) | | DIMENSION STYLE MM ONLY | | SCALE --- | DESIGN UNITS METRIC | | THIRD ANGLE PROJECTION | |
| | 10 UNDER | ±0.2 | DRAWN BY T. UENO | DATE '03/12/12 | TITLE 1.0 FPC CONN SMT ZIF EMBSTP PKG -LEAD FREE- | | | | |
| | 10 OVER 30 UNDER | ±0.25 | CHECKED BY M. SASAO | DATE '03/12/12 | MOLEX INCORPORATED | | | | |
| | 30 OVER | ±0.3 | APPROVED BY M. SASAO | DATE '03/12/12 | DOCUMENT NO. SD-52610-038 | | | | |
| | ANGULAR ±3 ° | DRAFT WHERE APPLICABLE MUST REMAIN WITHIN DIMENSIONS | | MATERIAL NO. SEE TABLE | | SHEET NO. 5 OF 5 | | THIS DRAWING CONTAINS INFORMATION THAT IS PROPRIETARY TO MOLEX INCORPORATED AND SHOULD NOT BE USED WITHOUT WRITTEN PERMISSION | |



注記 (NOTES):

- 材料 (MATERIAL)
 ハウジング (HOUSING): 46NYLON, UL94V-0
 アクチュエータ (ACTUATOR): PPS, UL94V-0
 ターミナル (TERMINAL): リン青銅 (t=0.32)
 PHOS-BRO
 錫 (3%±1%) ビスマスメッキ 1.0 マイクロメートル以上
 TIN (3%±1%) BISMUTH 1.0 MICROMETER MINIMUM
 ニッケル下地 1.0 マイクロメートル以上
 NICKEL (UNDER PLATING) 1.0 MICROMETER MINIMUM
- エンボステープ梱包時は、アクチュエータがロックした状態とする。
 IN THE PACKAGE, ACTUATOR OF PART NO. 52610-**16 SHOULD BE LOCKED.
- △3 ソルダータール半田付け面のズレ量は、基準面 [F] に対し上方向 0.05 MAX.、下方向 0.15 MAX. とする。
 MISALIGNMENT OF SOLDER TAILS FROM [F] UPPER DIRECTION : 0.05 MAX., LOWER DIRECTION : 0.15 MAX.
- △4 偶数極に適用。
 APPLY FOR EVEN CIRCUIT.
- 本製品は 52610-**17 の鉛フリー品です

| | | | | | | |
|---|---------------------------------------|--|----------------------------|------------------------------|--|---------------------------|
| REVISED EC NO: J2013-0406 DRWN: TMORISHITA 2012/10/05 CHKD: TAKAHASHI 2012/10/05 APPR: KMORIKAWA 2012/10/05 | GENERAL TOLERANCES (UNLESS SPECIFIED) | | DIMENSION STYLE MM ONLY | | SCALE --- | MODEL NO. 52610-**16 |
| | 10 UNDER | ±0.2 | DRAWN BY TUENO | DATE '03/12/12 | TITLE | DESIGN UNITS METRIC |
| | 10 OVER 30 UNDER | ±0.25 | CHECKED BY MSASAO | DATE '03/12/12 | 1.0 FPC CONNECTOR Z.I.F. FOR SMT.(ST.) -LEAD FREE- | THIRD ANGLE PROJECTION |
| | 30 OVER | ±0.3 | APPROVED BY MSASAO | DATE '03/12/12 | | |
| ANGULAR | ±3 ° | MATERIAL NO. SEE CHART | | DOCUMENT NO. SD-52610-041 | SHEET NO. 1 OF 2 | |
| DRAFT WHERE APPLICABLE MUST REMAIN WITHIN DIMENSIONS | | THIS DRAWING CONTAINS INFORMATION THAT IS PROPRIETARY TO MOLEX INCORPORATED AND SHOULD NOT BE USED WITHOUT WRITTEN PERMISSION | | | | |



| | | | | | | |
|--------------------------------|-------|------------|-------------|-----------|--------------|------------|
| 44 | 49.4 | 45.4 | 31.25 | 27.32 | 52610-2671 | 26 |
| | | | 30.25 | 26.32 | 52610-2571 | 25 |
| | | | 29.25 | 25.32 | 52610-2471 | 24 |
| | | | 28.25 | 24.32 | 52610-2371 | 23 |
| | | | 27.25 | 23.32 | 52610-2271 | 22 |
| | | | 26.25 | 22.32 | 52610-2171 | 21 |
| | | | 25.25 | 21.32 | 52610-2071 | 20 |
| | | | 24.25 | 20.32 | 52610-1971 | 19 |
| | | | 23.25 | 19.32 | 52610-1871 | 18 |
| | | | 22.25 | 18.32 | 52610-1771 | 17 |
| 21.25 | 17.32 | 52610-1671 | 16 | | | |
| キャリアテープ幅 CARRIER TAPE WIDTH | D | C | (B) | (A) | MATERIAL NO. | 極数 CKT. |
| | | | 52610-**-71 | MODEL NO. | | |

| | | | | | | | | | |
|---|---------------------------------------|-------|--|-------------------|--|------------------------|--------------|------------------------|--------|
| REVISED EC NO: J2009-2061 DRWN:TKON 2009/05/20 CHKD:HMATSUMOTO 2009/05/21 APPR:NIKI ITA 2009/05/21 | GENERAL TOLERANCES (UNLESS SPECIFIED) | | DIMENSION STYLE MM ONLY | | SCALE --- | DESIGN UNITS METRIC | | THIRD ANGLE PROJECTION | |
| | 10 UNDER | ±0.2 | DRAWN BY T. UENO | DATE '03/12/12 | TITLE 1.0 FPC CONN SMT ZIF EMBSTP PKG -LEAD FREE- | | | | |
| | 10 OVER 30 UNDER | ±0.25 | CHECKED BY M. SASAO | DATE '03/12/12 | MOLEX INCORPORATED SEE TABLE SD-52610-038 | | | | |
| | 30 OVER | ±0.3 | APPROVED BY M. SASAO | DATE '03/12/12 | | | | | |
| | ANGULAR ±3 ° | | DRAFT WHERE APPLICABLE MUST REMAIN WITHIN DIMENSIONS | | MATERIAL NO. SEE TABLE | | SD-52610-038 | | 4 OF 5 |
| THIS DRAWING CONTAINS INFORMATION THAT IS PROPRIETARY TO MOLEX INCORPORATED AND SHOULD NOT BE USED WITHOUT WRITTEN PERMISSION | | | | | | | | | |