

4

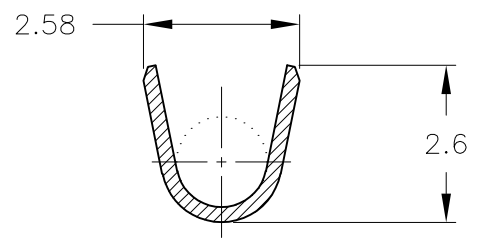
3

2

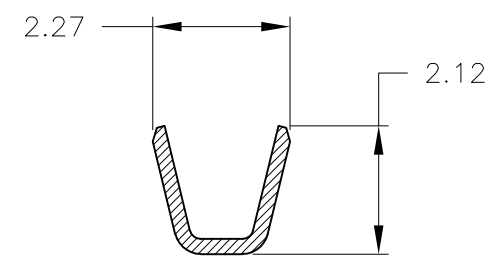
1

THIS DRAWING IS UNPUBLISHED. RELEASED FOR PUBLICATION ,1998
 ALL RIGHTS RESERVED.

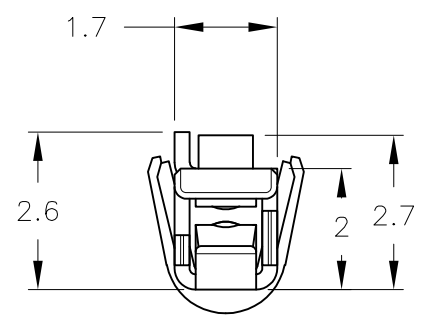
LOC		DIST		REVISIONS				
				変更		DATE	DWN	APVD
P	LTR	DESCRIPTION			DATE	DWN	APVD	
	C	REVISED			11APR2014	T.S	N.Y	



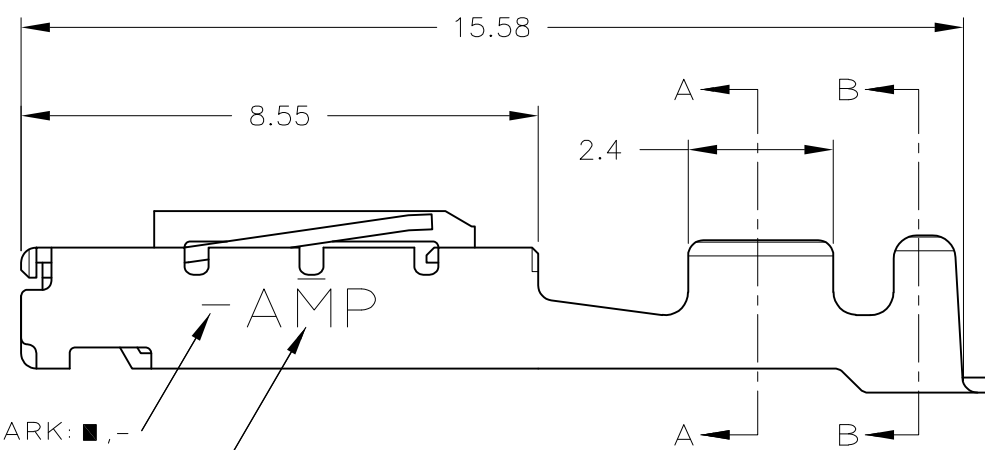
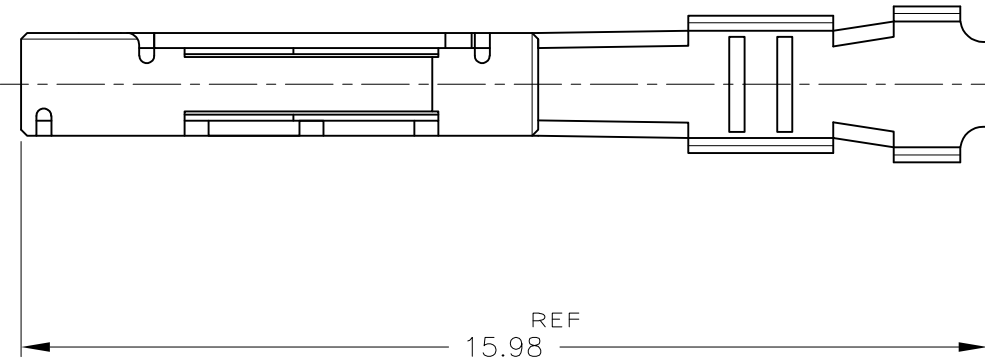
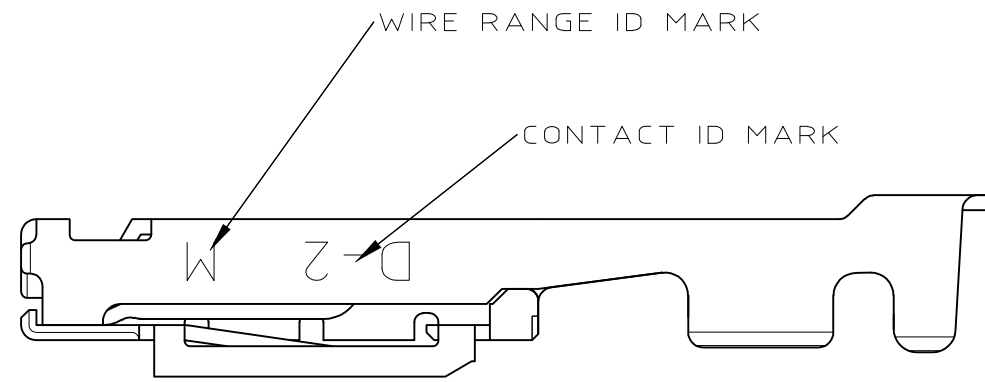
SECT B-B



SECT A-A



TOOLING ID MARK: ■,-



-1:AS SHOWN

NOTES

- 1. FINISH(CONTACT AREA):0.38μmMIN GOLD PLATING OVER Ni PLATING

DIMENSIONS: mm		TOLERANCES UNLESS OTHERWISE SPECIFIED		DWN K.IKEDA 7/DEC/'98	WIRE RANGE AWG #22~#18	INSULATION DIA 1.3~1.9		
		±0.3 >10 : ±0.35 >30 : ±0.4 ANGLE : ±3'		CHK N.MATSUBARA 7/DEC/'98				
				APVD I.HASEGAWA 7/DEC/'98				
MATERIAL (COPPER ALLOY)		FINISH SEE NOTE		PRODUCT SPEC 108-5619	REC CONTACT "M" SIZE,L/P <DYNAMIC D-2 SERIES>			
				APPLICATION SPEC 114-5258	SIZE A3	CAGE CODE 00779	DRAWING NO C-1318107	RESTRICTED TO -
				WEIGHT	SCALE 8-1		SHEET 1 OF 1	REV C
				CUSTOMER DRAWING				

D

D

C

C

B

B

A

A

Mouser Electronics

Authorized Distributor

Click to View Pricing, Inventory, Delivery & Lifecycle Information:

[TE Connectivity:](#)

[1318107-1](#)