

DOUBLE POLE ROCKER SWITCH



FR Series

Features

- High current switching in a compact package
- Single-pole and double-pole configurations
- Available in a wide variety of colors
- Mechanical life: min. 50.000 operations

Specifications

Electrical

Dielectric Strength:	1.000 VAC for 1 minute
Insulation Resistance:	10 ⁸ Ohm min. at 500 VDC
Initial Contact Resistance:	0,030 ohms max
Ambient temperature:	-20°C to +125°C (VDE) -20°C to +55°C (UL)

Materialdaten

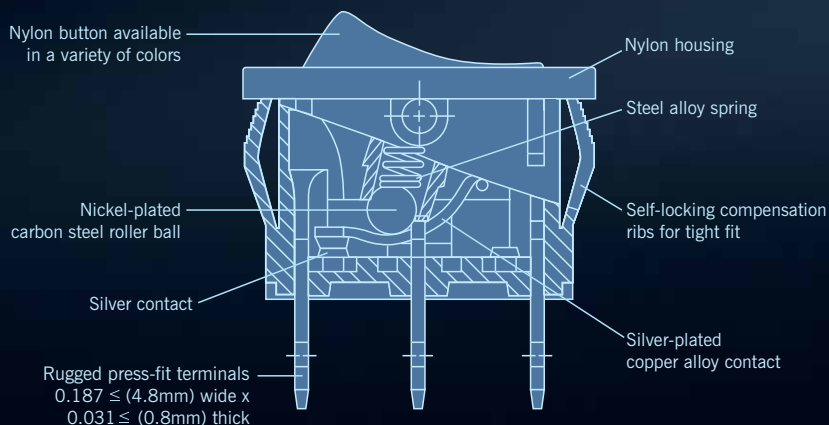
Actuator:	Nylon 66 94V-2
Case:	Nylon 66 94V-2
Spring:	Steel Wire
Contacts:	Silver Alloy
Movable Arm:	Silver-Plated Copper Alloy
Terminals:	Tin-Plated Copper Alloy

Electrical Ratings

Switch Series	EN61058 Rating	UL1054 Rating	Electrical Life at Rated Load	
			According to VDE (Min. Operations)	According to UL (Min. Operations)
FR	16(4)A, 250V~, T125/55	12 A, 125/250 VAC	10.000	6.000



UL File No.: E23301
RoHS compliant



DOUBLE POLE ROCKER SWITCH

FR Series

Examples of Common Part Numbers and Descriptions inches (mm)

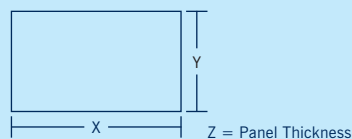
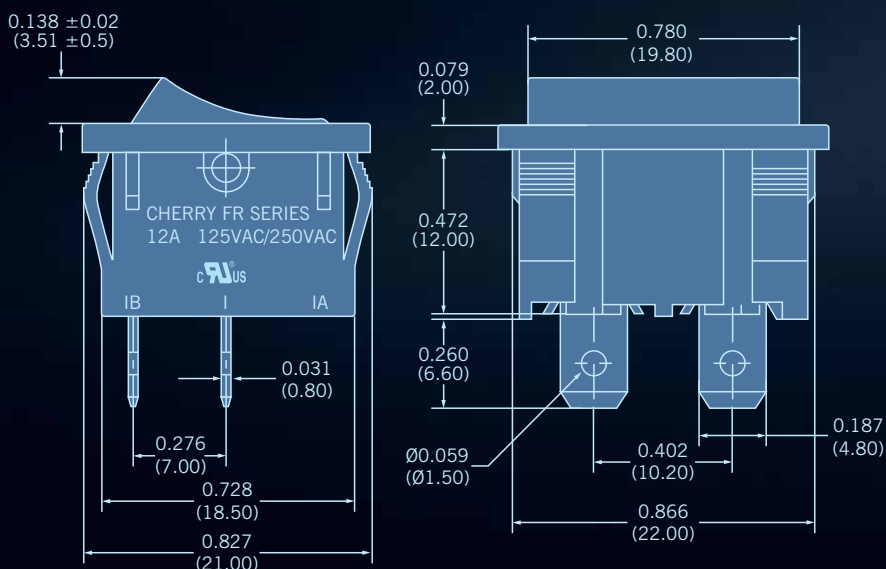
Part Number	Circuitry	Switch Function	Terminal Type	Actuator/Housing Color	Legend Marking
FRH32A2DBBNN		On – Off	0.187 (4.80) Quick-Connect	Black/Black	
FRH33A2BBBNN		On – On	0.187 (4.80) Quick-Connect	Black/Black	
FRH32A2BBBNN		On – Off	0.187 (4.80) Quick-Connect	Black/Black	
FRH32A2FWWNN		On – Off	0.187 (4.80) Quick-Connect	White/White	
FRH32A2BBWNN		On – Off	0.187 (4.80) Quick-Connect	White/Black	
FRH32A2FBBNN		On – Off	0.187 (4.80) Quick-Connect	Black/Black	

Ordering Information

FR Series	H Code Contact Rating	2 Code Circuitry	2 Code Switch Function	A Code Actuator Type	2 Code Actuator Marking	F Code Housing Color	B Code Actuator Color	B Code Lighted	N Code Splashproof
	H 12A, 125/250VAC (UL) 16(4)A 250 V~, T125 (VDE)	2 Single-Pole 3 Double-Pole	2 On – Off 3 On – On	2 Curve	B Blank C LO HI D OFF ON E O I F O – G •	B Black W White Y Grey	B Black G Green D Orange R Red W White Y Grey	N Non-Lighted	N No Rocker Boot
	Code Terminal Type inches (mm)								
	A 0.187 (4.8) QC								
	U 0.118 (3.0) Solder Tag								

Specifications subject to change without notice.

Dimensions inches (mm)



Recommended Panel Cut-Out Dimensions

inches (mm)

Dim. Z	Dim. X	Dim. Y
0,75 to 1,25	19,15	21,90
1,25 to 2,00	19,35	21,90
2,00 to 3,00	19,75	21,90

Mouser Electronics

Authorized Distributor

Click to View Pricing, Inventory, Delivery & Lifecycle Information:

[ZF Electronics:](#)

[FRH32A2DBBNN](#) [FRH32A2BBBNN](#) [FRH33A2BBBNN](#)