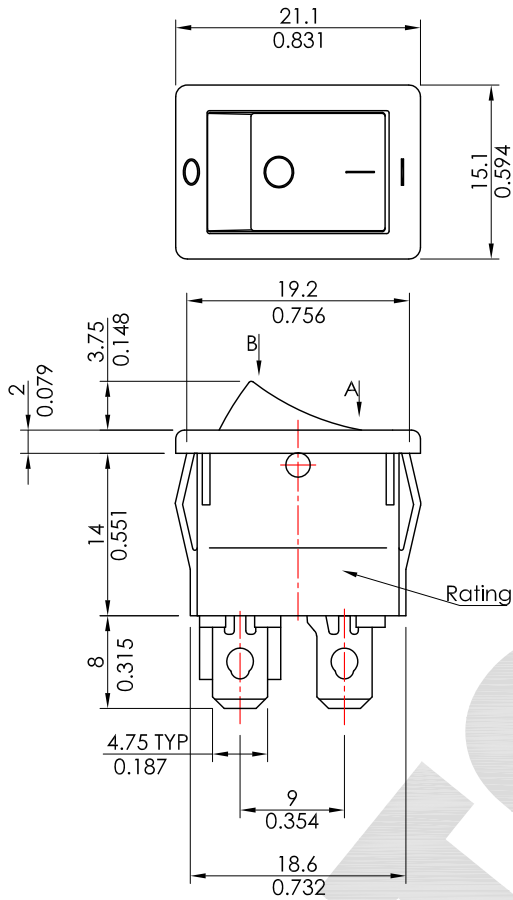


*開關產品未經SWITRONIC同意，請勿拆解，否則無法負品質及安全責任。

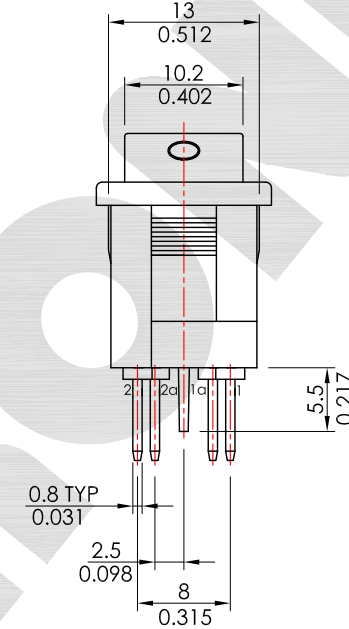
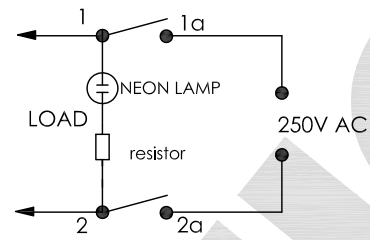
Please do not decompose the switch without any permission from SWITRONIC, otherwise the quality and safety responsibility could not be guaranteed.

*本圖面若與目錄之規格尺寸不符，以本圖面規格尺寸為主。

Below is our main specification if different from catalog.



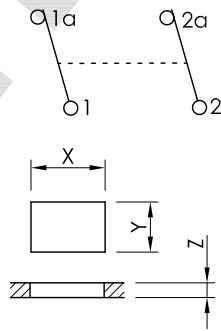
Circuit of switch



POLE FUNCTION	OPTIONS OF FUNCTION		
	A	—	B
DPST	1-1a 2-2a	—	OFF

PANEL CUT-OUT		
Z	Y	X
0.70~1.25 (0.028~0.049)	12.9~13.1 (0.508~0.515)	19.1~19.2 (0.752~0.756)
1.25~2.00 (0.049~0.079)	12.9~13.1 (0.508~0.515)	19.3~19.4 (0.760~0.764)
2.00~3.00 (0.079~0.118)	12.9~13.1 (0.508~0.515)	19.4~19.6 (0.764~0.772)
3.00~4.00 (0.118~0.157)	12.9~13.1 (0.508~0.515)	19.6~19.8 (0.772~0.780)

CIRCUIT DPST



MARKING		LAMP VOLTAGE	
refer to our catalog		1	125V AC
		2	250V AC

R19-20IXXXXTX-G

HOUSING COLOR	
B	Black
W	White
G	Gray

LAMP COLOR	
R	Red
Y	Yellow
GN	Green

RoHS compliant



SPECIFICATION

Rating: 6A 250V AC / 12A 125V AC.(UL)
4(1)A 250V AC.

Contact resistance: < 20mΩ.(initial)

Insulation resistance: > 1,000MΩ.(500V DC between open contacts)

Withstand voltage: > 1,500V for 1 minute.

Minimum load: 100mA 10V DC.(reference only)

Mechanical life: > 30,000 cycles.

Electrical life: > 10,000 cycles.

Temperature rise at the terminal: 30°C Max.

When proceed with soldering, please pay attention to following:

For manual soldering method, must use 30W soldering iron and complete the operation under 350°C within 3 seconds.

Note1: Unwashable, don't be immersed by epoxy and organic solvent.

Note2: Please check the actual size, do not scale the drawing page.

V2.3	△		
V2.2	無	改版	2015.06.24
V2.1	無	圖框改版	2008.01.21
V2.0	無	新繪製	2003.11.16
版本 VER.	符號 SYMBOL	修改內容 ALTERATION	更新日期 DATE

產品 PRODUCT		Rocker Switch		型號 MODEL NO.		R19-20IWGNBT2-G	
比例 SCALE	3 : 2	單位 UNIT	mm				
公差 TOLERANCE	.X=±0.4mm, .XX=±0.25mm						
製圖 DRAWN BY	核圖 CHECKED BY	主管 APPROVED BY					
Peter Kuo	Chuck Young	Margaret Lee					

一綺電子企業股份有限公司

總公司：110 台北市信義路四段415號13樓之3
13F-3 NO. 415, SEC. 4, HSIN YI ROAD, TAIPEI, TAIWAN
TEL : 886-2-27290229 (Rep.) FAX : 886-2-27582086
URL : http://www.switronic.com.tw
E-MAIL : switches@ms36.hinet.net