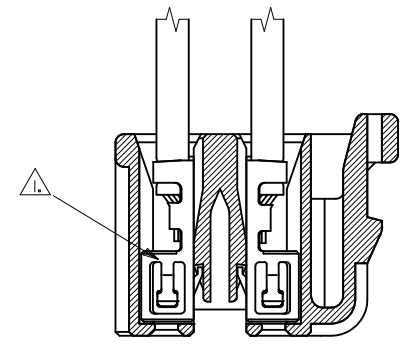


NOTES.

1. 適合ターミナル : 501193-****
APPLICABLE TERMINAL : 501193-****
2. 嵌合相手 : 501190-**** , 501571-****
MATE WITH : 501190-**** , 501571-****
3. 極数 / 2 = 偶数に適用。
APPLY FOR CIRCUIT SIZE / 2 = EVEN
4. 材料
MATERIAL
66ナイロン、ガラス無充填、UL94V-0
PA66 , GLASS FILLED 0% , UL94V-0
5. ELV 及び RoHS 適合品
ELV AND RoHS COMPLIANT.



ターミナル装着図
TERMINAL ASSEMBLY DRAWING

24	25.3	26.7	501189-501*	50
19	20.3	21.7	501189-401*	40
14	15.3	16.7	501189-301*	30
9	10.3	11.7	501189-201*	20
C	B	A	ポリ袋 POLYBAG PACKAGE オーダー番号 ORDER NO.	CKT.

REVISED EC NO. : J2011-0742 DRWN:KAWASHIO 2010/11/29 CHKD:KASAKAWA 2010/12/02 APPR:NUKITA 2010/12/02	DESCRIPTION REV	GENERAL TOLERANCES (UNLESS SPECIFIED)		DIMENSION STYLE MM ONLY		SCALE 5:1	DESIGN UNITS METRIC		THIRD ANGLE PROJECTION	
		10 UNDER	±0.2	DRAWN BY NYOSHIDA	DATE 2004/12/17	TITLE 1.0 WIRE TO BOARD CONN. 2-ROW RECEPTACLE HOUSING				
		10 OVER 30 UNDER	±0.25	CHECKED BY MYAGI	DATE 2004/12/17	MOLEX INCORPORATED				
		30 OVER	±0.3	APPROVED BY ANODA	DATE 2004/12/17	DOCUMENT NO. SD-501189-002				
ANGULAR ±3 °		DRAFT WHERE APPLICABLE MUST REMAIN WITHIN DIMENSIONS		MATERIAL NO. SEE SHEET 2		SHEET NO. 1 OF 2		THIS DRAWING CONTAINS INFORMATION THAT IS PROPRIETARY TO MOLEX INCORPORATED AND SHOULD NOT BE USED WITHOUT WRITTEN PERMISSION		

10 9 8 7 6 5 4 3 2 1

F

F

E

E

D

D

C

C


B

B

A

A

緑 GREEN	青 BLUE	赤 RED	黒 BLACK	白 WHITE	色 COLOR
//	//	//	//	501189-5010	50
//	//	//	//	501189-4010	40
//	//	//	//	501189-3010	30
501189-2016	501189-2014	501189-2012	501189-2011	501189-2010	20
ポリ袋 POLYBAG PACKAGE					CKT.
----- オーダー番号 ORDER NO.					

SEE SHEET 1 EC NO.: J2011-0742 DRWN: KASHIO 2010/12/01 CHKD: KASAKAWA 2010/12/02 APPR: NUKITA 2010/12/02	GENERAL TOLERANCES (UNLESS SPECIFIED)		DIMENSION STYLE MM ONLY	SCALE 5:1	DESIGN UNITS METRIC	THIRD ANGLE PROJECTION
	10 UNDER	±0.2	DRAWN BY NYOSHIDA	DATE 2004/12/17	TITLE 1.0 WIRE TO BOARD CONN. 2-ROW RECEPTACLE HOUSING	
	10 OVER 30 UNDER	±0.25	CHECKED BY MYAGI	DATE 2004/12/17		
	30 OVER	±0.3	APPROVED BY ANODA	DATE 2004/12/17	 MOLEX INCORPORATED DOCUMENT NO. SD-501189-002	
	ANGULAR ±3 °		MATERIAL NO.			
DRAFT WHERE APPLICABLE MUST REMAIN WITHIN DIMENSIONS		SIZE A3	THIS DRAWING CONTAINS INFORMATION THAT IS PROPRIETARY TO MOLEX INCORPORATED AND SHOULD NOT BE USED WITHOUT WRITTEN PERMISSION			