

PLEASE CHECK WWW.MOLEX.COM FOR LATEST PART INFORMATION

Part Number: **0467652001**
Status: **Active**
Overview: type d micro connectors
Description: 0.40mm (.016") Pitch Micro HDMI* Connector, Right Angle Receptacle, SMT, Hybrid Type Mount, with Kapton Tape, 19 Circuits, Lead free

Documents:

[3D Model](#)
[Drawing \(PDF\)](#)

[RoHS Certificate of Compliance \(PDF\)](#)

Agency Certification

CSA LR19980
 UL E29179

General

Product Family I/O Connectors
 Series [46765](#)
 Application Wire-to-Board
 Comments Hybrid Mount comprise Vertical and Horizontal type shell tabs
 Component Type Receptacle
 Overview [type d micro connectors](#)
 Product Name HDMI, Micro HDMI*
 Type D

Physical

Boot Color N/A
 Circuits (Loaded) 19
 Circuits (maximum) 19
 Flammability 94V-0
 Gender Male
 Keying to Mating Part Yes
 Lock to Mating Part Yes
 Material - Metal Copper Alloy
 Material - Plating Mating Gold
 Material - Plating Termination Gold
 Material - Resin High Temperature Thermoplastic
 Number of Rows 2
 Orientation Right Angle
 PCB Retention Yes
 Packaging Type Embossed Tape on Reel
 Panel Mount No
 Pitch - Mating Interface 0.40mm (.016")
 Pitch - Termination Interface 0.40mm (.016")
 Plating min - Mating 0.762µm (30µ")
 Plating min - Termination 0.051µm (2µ")
 Polarized to Mating Part Yes
 Polarized to PCB Yes
 Ports 1
 Termination Interface: Style Surface Mount
 Waterproof / Dustproof No

Electrical

Current - Maximum per Contact 0.8A
 Grounding to Panel Yes
 Shield Type Full Shield

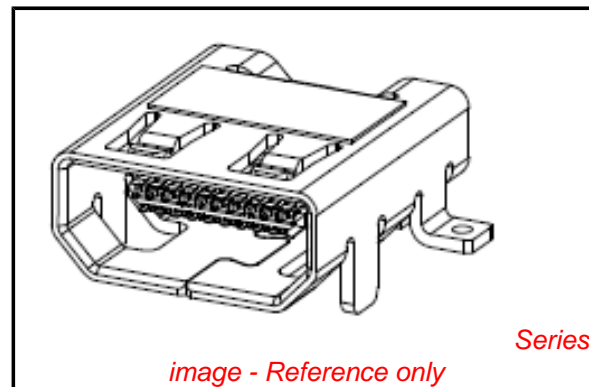


image - Reference only

EU RoHS

ELV and RoHS Compliant
REACH SVHC Contains SVHC: No
Low-Halogen Status Low-Halogen

China RoHS



Need more information on product environmental compliance?

Email productcompliance@molex.com
 For a multiple part number RoHS Certificate of Compliance, [click here](#)

Please visit the [Contact Us](#) section for any non-product compliance questions.

Search Parts in this Series

[46765Series](#)

Mates With

[68786](#) Micro HDMI* Cable Assemblies

Shielded	Yes
Voltage - Maximum	30V

Solder Process Data

Duration at Max. Process Temperature (seconds)	10
Lead-free Process Capability	Reflow Capable (SMT only)
Max. Cycles at Max. Process Temperature	2
Process Temperature max. C	260

Material Info

Reference - Drawing Numbers

Product Specification	RPS-46765-003, RPS-46765-004
Sales Drawing	SD-46765-001

* High Definition Multimedia Interface and HDMI are trademarks of HDMI Licensing, LLC.

This document was generated on 05/11/2011

PLEASE CHECK WWW.MOLEX.COM FOR LATEST PART INFORMATION

Mouser Electronics

Authorized Distributor

Click to View Pricing, Inventory, Delivery & Lifecycle Information:

[Molex:](#)

[46765-2001](#)