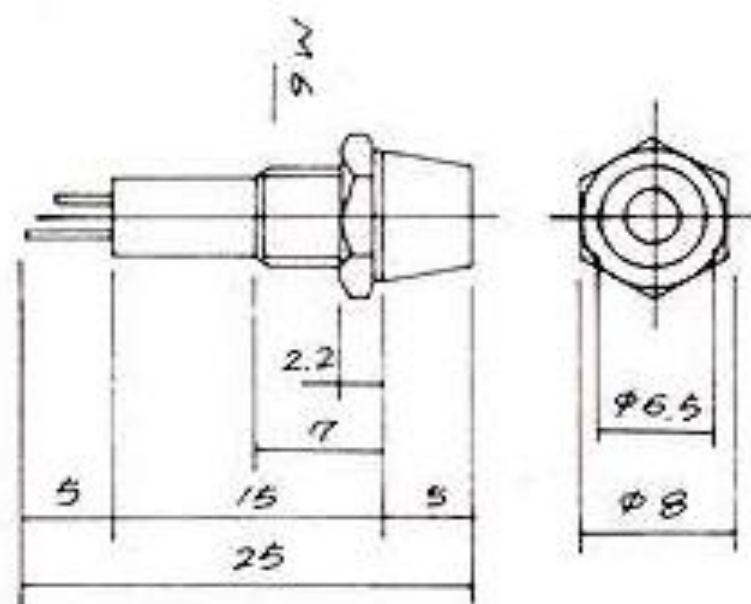


L-601 LED INDICATOR LIGHT
w o resistor 2V



φ6.5