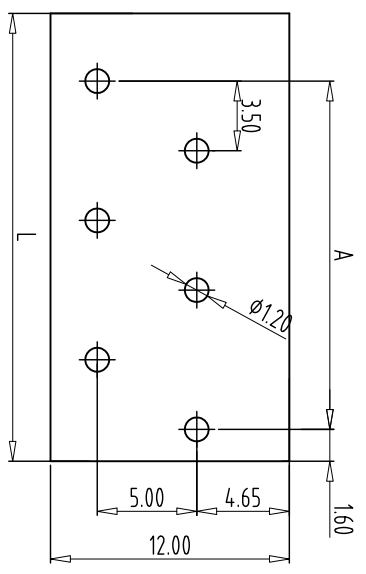
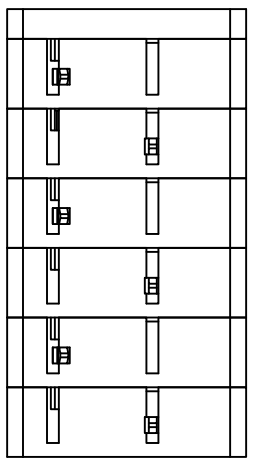
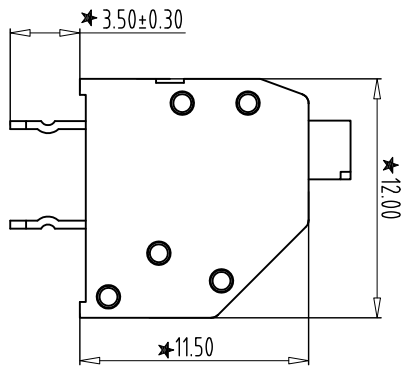
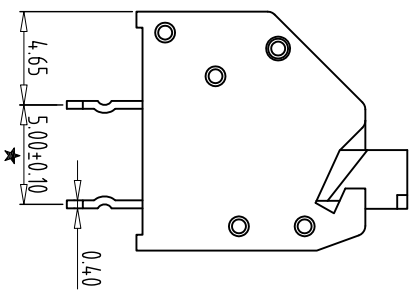
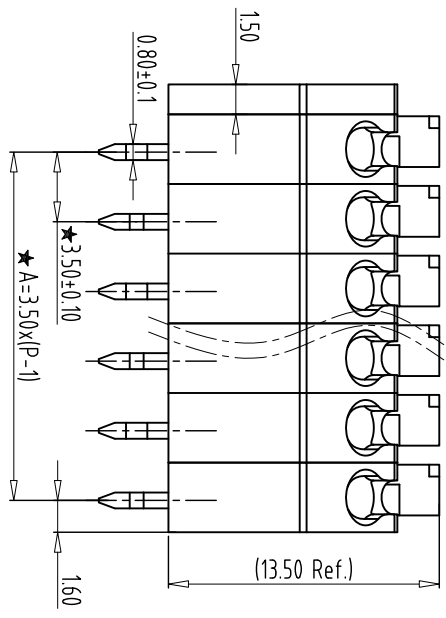
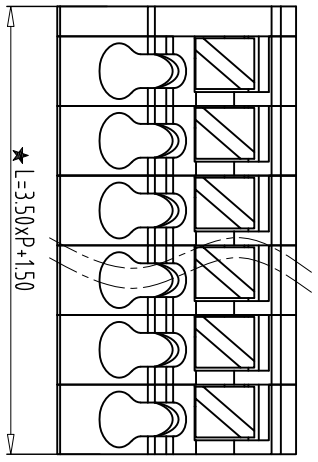


FILE	6	5	4	3	2	1
REV						
CONTENT						
CHK						
DATE						

- NOTES:**
1. Rating: 300V 5A,
 2. Insulation Withstands Voltage: AC2000V/MIN;
 3. Insulation Resistance: 500M Ω or more at DC500V
 4. Using Temperature Range: -40°C/+105°C
 5. Suitable Electric Wire: 22-16 AWG
 6. "★" The important dimension.



PCB LAYOUT



Total Pitch Tolerances												Nominal dimension range																					
in mm												in mm																					
over	0	30	53	70	90	115	150	250	350	500	0	over	0	30	53	70	90	115	150	200	250	0	over	0	10	10	10	10	10	10	10	10	10
to	30	53	70	90	115	150	250	350	500	0	to	30	53	70	90	115	150	200	250	0	to	10	10	10	10	10	10	10	10	10	10		
±	0.18	0.20	0.25	0.3	0.35	0.44	0.60	0.70	0.85	0.20	±	0.20	0.25	0.30	0.35	0.44	0.55	0.70	0.80	0.90	0.2	±	0.3	0.3	0.3	0.3	0.3	0.3	0.3	0.3	0.3	0.5	

ITEM	NAME OF PART	NO. OF PART	Q'TY	MATERIAL	NOTE
DWG		2020.08.01	SIZE	A4	SHEET/OF 1/1
CHK		DATE	SCALE	3:1	250B-3.50
APP.		DATE	NAME	KSE-250-3.5-XX	
KEEN SIDE ELECTRONICS			DWGNO.		