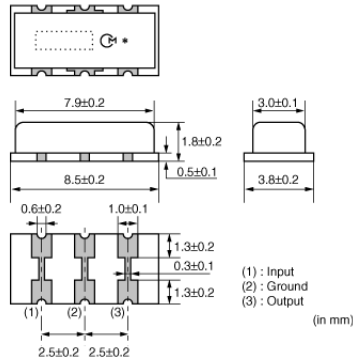


SFSKA5M50CF00-R3

In Production RoHS REACH

Appearance & Shape



Features

SMD ceramic filter SFSKA_CF is a small and thin SMD filter sealed with a metal cap. Recommended for LCD-TVs, and small and thin tuners.

Features

1. High attenuation outside bandwidth.
2. Small and thin package.
3. Reflow-solderable.

Applications

| | |
|-------------|------------------------|
| Other Usage | Audio Visual Equipment |
|-------------|------------------------|

Packaging Information

| Packaging | Specifications | Minimum Order Quantity |
|-----------|---------------------|------------------------|
| -R0 | 330mm Embossed Tape | 3000 |

Attention

1.This datasheet is downloaded from the website of Murata Manufacturing Co., Ltd. Therefore, it's specifications are subject to change or our products in it may be discontinued without advance notice. Please check with our sales representatives or product engineers before ordering.
2.This datasheet has only typical specifications because there is no space for detailed specifications.
Therefore, please review our product specifications or consult the approval sheet for product specifications before ordering.

SFSKA5M50CF00-R3

Specifications

| | |
|-----------------------------|----------------------------|
| Operating Temperature Range | -20°C to 80°C |
| Shape | SMD |
| Elements | 1 |
| Center Frequency | 5.500MHz |
| Nominal Center Value | Yes |
| 3dB Bandwidth | $f_n \pm 60\text{kHzmin.}$ |
| Stop Bandwidth | 600kHz |
| Spurious Attenuation | 25dB[within 0 to f_n] |
| Insertion Loss | 6.0dBmax. |
| Input/Output Impedance | 600Ω |

Attention

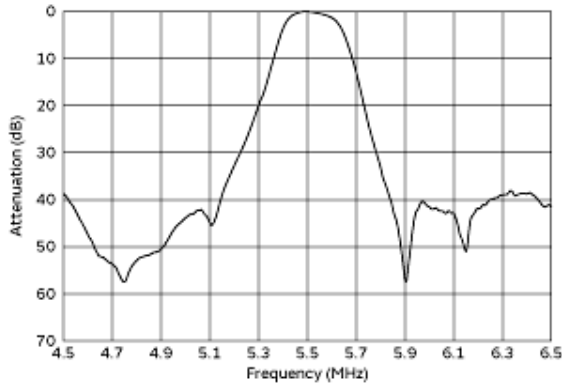
1.This datasheet is downloaded from the website of Murata Manufacturing Co., Ltd. Therefore, it's specifications are subject to change or our products in it may be discontinued without advance notice. Please check with our sales representatives or product engineers before ordering.

2.This datasheet has only typical specifications because there is no space for detailed specifications.

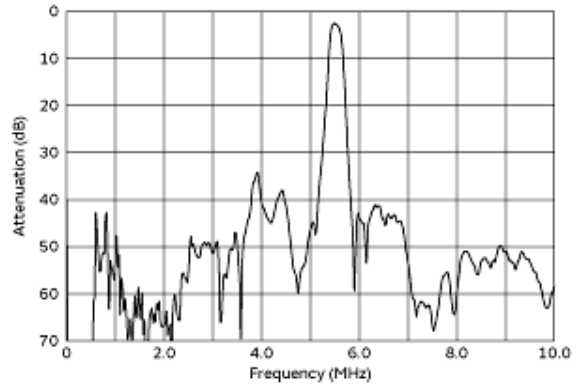
Therefore, please review our product specifications or consult the approval sheet for product specifications before ordering.

SFSKA5M50CF00-R3

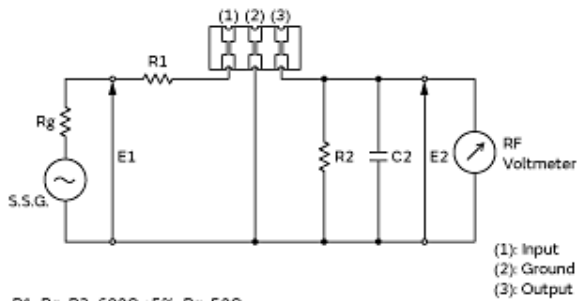
Product Data



Frequency Characteristics



Spurious Response



$R1+Rg=R2=600\Omega \pm 5\%$, $Rg=50\Omega$
 $C2=10pF$ (Including stray capacitance and Input capacitance of RF Voltmeter)
 E1: S.S.G. Output voltage

Measurement Circuit

Attention

1.This datasheet is downloaded from the website of Murata Manufacturing Co., Ltd. Therefore, it's specifications are subject to change or our products in it may be discontinued without advance notice. Please check with our sales representatives or product engineers before ordering.
 2.This datasheet has only typical specifications because there is no space for detailed specifications.
 Therefore, please review our product specifications or consult the approval sheet for product specifications before ordering.

Mouser Electronics

Authorized Distributor

Click to View Pricing, Inventory, Delivery & Lifecycle Information:

[Murata:](#)

[SFSKA5M50CF00-R3](#)