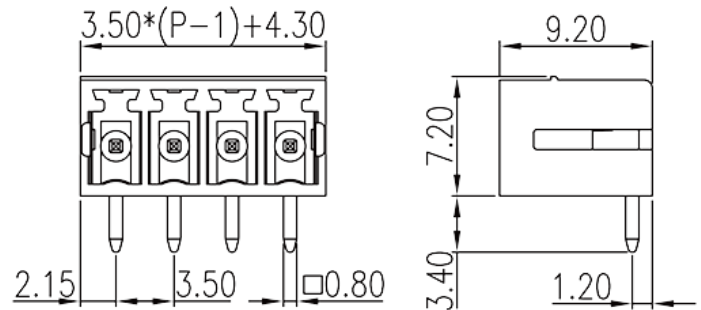
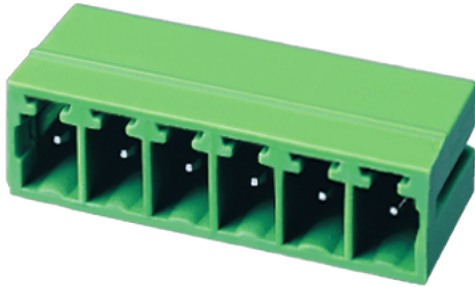


# ECH350R-XXP

PCB Terminal Blocks > PCB Connector-Socket

Date:2018-12-26Version:V1



The web catalog is for reference only. Dinkle remains the right of product modification and engineering change of the design. The final product is made according to engineering drawing.

## Product Description

Pitch: 3.50 mm , 300V, 8A

## General information

|  |                                       |
|--|---------------------------------------|
| Short description                      | PCB connector Socket , Wave soldering |
| Category                               | PCB connector Socket                  |
| Pitch (mm)                             | 3.50                                  |
| Color                                  | Green(default)                        |
| Type of locking                        | Without                               |
| Soldering method                       | Wave soldering                        |
| Length (mm)                            | $3.50 \times (P-1) + 4.30$            |
| Width (mm)                             | 9.20                                  |
| Height (mm)                            | 7.20                                  |
| Pin demensions (Thickness x Width)(mm) | 0.8X0.8                               |
| PCB hole diameter (mm)                 | 1.2~1.3                               |
| Number of positions                    | 02~24                                 |
| Level                                  | Single level                          |

## Material information

|                     |      |
|---------------------|------|
| Insulation material | PA66 |
|---------------------|------|

|  |              |
|--|--------------|
| Insulation material group                    | I            |
| Flame retardant rating , compliant with UL94 | V0           |
| Conductor material                           | Copper Alloy |
| Plating of conductor surface                 | Tinned       |

## Connection data-IEC

|                                   |     |
|-----------------------------------|-----|
| Rated current (A)                 | 14  |
| Rated voltage (II/2)(V)           | 320 |
| Rated voltage (III/2) (V)         | 160 |
| Rated voltage (III/3)(V)          | 160 |
| Rated impulse voltage (II/2)(KV)  | 2.5 |
| Rated impulse voltage (III/2)(KV) | 2.5 |
| Rated impulse voltage (III/3)(KV) | 2.5 |

## Connection data-UL

|                                   |     |
|-----------------------------------|-----|
| Rated voltage (UL/CUL Group B)(V) | 300 |
| Rated current (UL/CUL Group B)(A) | 8   |
| Rated voltage (UL/CUL Group D)(V) | 300 |
| Rated current (UL/CUL Group D)(A) | 8   |

## Environment & Safety

|                                 |     |
|---------------------------------|-----|
| Finger protection (YES or NO)   | YES |
| Operating temperature. max (°C) | 115 |
| Operating temperature. min (°C) | -40 |

## UL Recognized

|                            |     |
|----------------------------|-----|
| Rated voltage (Group B)(V) | 300 |
| Rated current (Group B)(A) | 8   |
| Rated voltage (Group D)(V) | 300 |
| Rated current (Group D)(A) | 8   |

## CUL Recognized

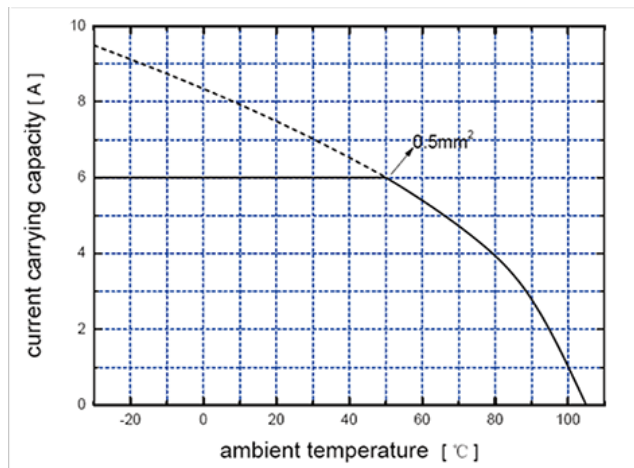
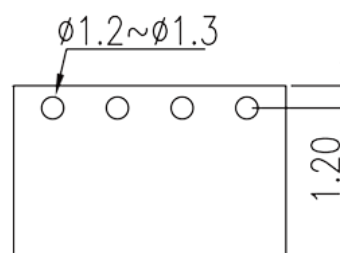
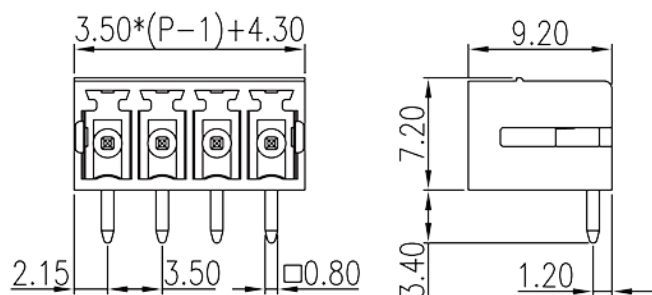
|                            |     |
|----------------------------|-----|
| Rated voltage (Group B)(V) | 300 |
| Rated current (Group B)(A) | 8   |
| Rated voltage (Group D)(V) | 300 |

|                            |   |
|----------------------------|---|
| Rated current (Group D)(A) | 8 |
|----------------------------|---|

### VDE Approval

|                   |     |
|-------------------|-----|
| Rated voltage (V) | 320 |
| Rated current (A) | 14  |

### Drawings



### Approvals

