

24

2410 12

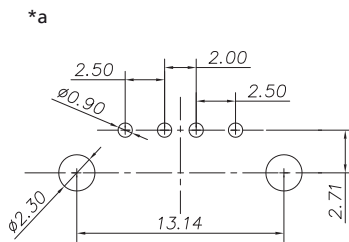
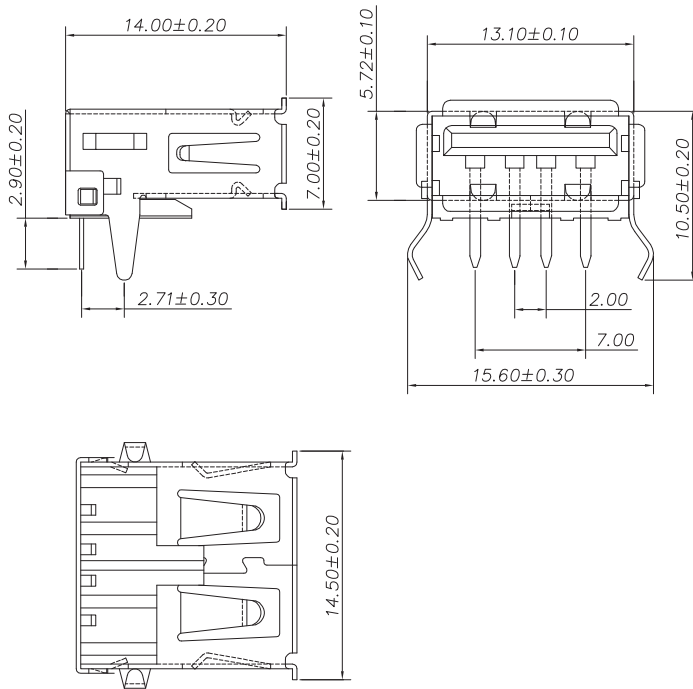
USB and IEEE 1394 connectors



USB 2.0 chassis socket type A, angular version, for printed circuit boards

24

2410 12



*a printed circuit board layout

Materials

Insulating body	PBT
Contact spring	CuSn, gold-plated
Housing	Steel, nickel-plated

Mechanical data

Insertion force	≤ 35 N
Withdrawal force	≥ 10 N

Electrical data (at T_{amb} 20 °C)

Contact resistance	≤ 30 mΩ
Rated current	≤ 1 A
Rated voltage	30 V DC
Rated impulse voltage	500 V
Insulation resistance	≥ 1 GΩ

Associated products

Counterparts

☞ 2410 07	☞ 2410 08	☞ 2431
☞ 2480	☞ 2482	

Accessories

☞ 2412 01

24

2410 12

Designation	Pole Number	PU (Pieces)	MDQ (Pieces)
2410 12	4	100	500

Packaging:
in a tray